

Berker Business Solutions Catalogue

**Your reliable
partner for
intelligent
solutions.**

We are shaping the future. Join us.



Our products and solutions are designed to ensure that your customers can make the most of the energy transition.



Daniel Hager
Hager Group CEO

Dear friends and partners,

It's clear for all to see; in our industry, society and the working world, the winds of change are sweeping through. Events that elicit enthusiasm in some are met with uncertainty by others. What is going to change, and what will stay the same? And what does all this mean for our business?

One thing is certain: at Hager Group, we are taking ownership of the changes that lie ahead. The future is what we make it, and we have the power to decide our own tomorrow by continually reinventing the future alongside our colleagues, customers and partners.

Take digitalisation, for example; a development that covers almost every area of modern life. Our IoT server harnesses the power of digital to bring you a new world that is virtually without limits, where a host of connected devices and features can be incorporated into building automation. We provide professional seminars and online training to ensure that you and your team are ready to take on the digital challenges that lie ahead. Elsewhere, we provide project planning support for your business in the form of hagercad and ZPlan as well as Hager Ready, our new planning and labelling software that has been met with high levels of user satisfaction.

Other examples include energy efficiency and the long-overdue electrical modernisation of our existing buildings. Our products and solutions are designed to ensure that your customers

can make the most of the energy transition. Our portfolio includes all of the components required to make residential and commercial buildings more energy efficient. Together, we can ensure that life in tomorrow's electrical world is more comfortable, climate-friendly and environmentally conscious.

We see it as our role to provide you with the right products and solutions for your customers before they even know they need them. This is not a new approach, far from it; staying close to our customers and partners has always been firmly rooted in our philosophy.

Even though we are seeing radical change in so many areas, much has remained the same. Take for example the trust that has underscored the relationship between Hager Group and the electrical trade for more than 60 years; the strength that results from this partnership; and the knowledge that, together, we will transform the challenges of tomorrow into opportunities.

Yours sincerely,

A handwritten signature in black ink, appearing to read 'Daniel Hager'. The signature is stylized and fluid, with a long horizontal line extending from the end.

Daniel Hager

Under one roof

Members
of Hager Group

:hager

B.
Berker

ELCOM.

DAITEM

diagral

B. BOCCHIOTTI

B. IBOCO

One family

The world is changing, and we are changing with it. As a family company, we have grown over the last sixty years to become a reliable partner to expert technicians and electrical wholesalers around the world. With more than 11,500 employees and annual sales of €2 billion, we have a huge capacity for innovation. All while remaining true to ourselves and to our values. And so we continue today, with a number of well-known brands, each with their own distinctive strengths, working together under the Hager Group umbrella.

Hager Forum in Obernai, France, is a place where we can work with customers and partners to shape the future. It is the perfect symbol of the innovative power of Hager Group.

hagergroup



Your trust

As a partner and customer, you can choose from the entire range of products and services offered by every member of our brand family. For our part, we rely on feedback, ideas and involvement of our customers and partners in the electrical trade. Precise market knowledge and our close relationship with the trade and with end customers have always been the cornerstone of our success. We are now active in more than 120 countries all over the world, yet remain as close to our customers and their individual needs as we have ever been.

Our strengths

We have huge opportunities ahead: the modernisation of existing buildings, intelligent building technology, digital services, new energy sources and technologies: all of this opens up new, exciting potential for you and for us. At the same time, our business requirements are becoming more and more complex. That's why it's so important for you to have Hager Group specialists supporting you with all their expertise. Together, we are stronger. Together, we will overcome the complex challenges of our time with simple, impressive solutions, just as we have been doing for more than six decades.

Sustainable success with E3

As a family-run company with strong values, we act today to ensure our long-term success for tomorrow. One way we do this is by investing in our employees and their skills development, optimising our eco-balance and developing processes and solutions that are more energy efficient. Sustainability is rooted in everything that we do, we focus on three particular aspects as part of our E3 approach.

Ethics



E for Ethics

Ethical principles determine how we behave towards our customers, our colleagues and society as a whole. By the end of 2018 we had already exceeded our goal for 2020, to have over 17% of management and specialist positions filled by women. Additional areas of focus include Let's talk!, our group-wide Integrity Alert System, and a complete training programme on business ethics.

E for Environment

Considering products in terms of their lifecycles revolutionises the way in which we view product development, resource usage and our environmental footprint. We recycle 80% of our plastic waste in-house and certain products contain material that has been recycled from consumer waste.



Environment

“Thinking and acting sustainably helps us to systematically prevent risks and seize business opportunities at an earlier stage and on a larger scale.”



Energy

E for Energy

Contributing to the energy transition, we provide environmentally friendly, forward-looking solutions that optimise our customers' energy usage. This also applies to the development of sustainable products, particularly in the areas of energy storage systems, integrated energy management systems and e-mobility.



Design at Hager

In-depth engineering

Staying close to our customers has always been our priority at Hager Group. We're always ready to listen to customers and work towards joint solutions. It's part of our DNA.



Erwin van Handenhoven,
Hager Group Design Studio Director

Our designs create an intelligent connection between the product and the end user, much like Hager brand itself. We work on the principle of in-depth engineering, which means that, for us, getting to grips with the emotional side of our products is just as important as the technical side of things. Only then can we create solutions that appeal to our customers.

As a provider of electrical solutions, we operate in an industry where design creates added value. At Hager Group, it has been our mission for a number of years to bring together design and technology. From the very beginning, our development teams work closely with our industrial designers, involving customers in the process, to create unique, appealing products that anyone would want to have.

Erwin van Handenhoven

“For us, getting to grips with the emotional side of our products is just as important as the technical side of things. Only then can we create solutions that appeal to our customers.”

We aim to recognise the needs of the end user and to ensure that any resulting design considerations are incorporated in the product or digital application right from the early stages of the development process. As a result, we are able to develop and roll out meticulously designed solutions. This is what makes Hager brand: solutions that are systematically tested by end users, who can then give us feedback about their experience.

We want to create sophisticated products that are just as refined as they are safe and simple. The day-to-day work of our teams revolves around our ability to offer user-friendly, innovative, efficient, aesthetically pleasing, contemporary solutions to our customers.

In a sense, our design is our signature; it is our DNA. It unites all of the products in our catalogue and represents the essence of our brand.

Outstanding design

We strive for excellence in every field. In the area of design, our efforts are regularly recognised by international awards that assess products based on aesthetics, ergonomics, ethics and emotion. We have been honoured to receive a number of awards over the years; most recently for our gallery range, which was launched in 2018 in France. We have also received recognition for witty, our charging stations for electric vehicles. Our collection of awards includes a Red Dot Design Award, a Good Design Award (Chicago), a Janus Industry Award, which is awarded by the French Institute of Design, an iF Design Award and a German Design Award.



Berker R.8

Berker integro



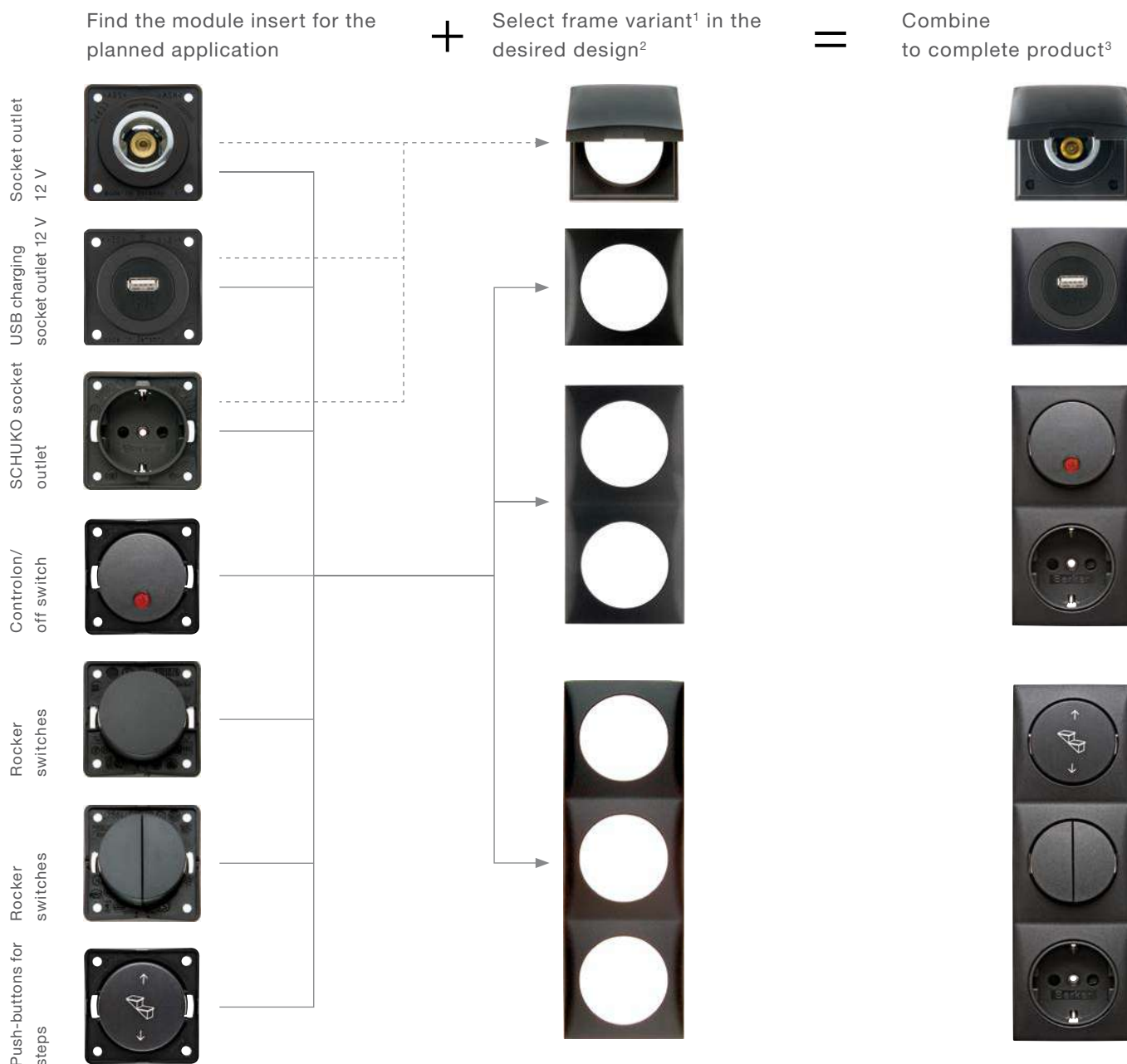
- Ultra-compact construction – particularly suitable for use in mobile homes, ambulance vehicles, kitchen furnishings, electrical appliances, or for furniture construction and the field of sanitation.
- Also satisfies special demands such as in boat and ship building and in laboratories.
- Modular product concept.
- Available in three different modern design variants – integro flow, classic and pure.
- Extensive variety of colour finishes.
- Elegant surfaces in smooth gloss and textured matt with pleasant feel.
- Individual customer requirements regarding colour, labelling and materials can be accommodated.



The Berker integro switch system meets the highest of demands, with Modern design variants, quick assembly and integration of modern communication systems. In addition, the attractive fashionable colours and surfaces offer scope for creative and flexible interior design.



The Berker integro switch system continues Berker's tradition of a modular product concept. In this regard, the module inserts of Berker integro have already been complemented with the matching functional cover, such as rocker, setting knob and centre plate. All that remains is to combine a module insert with the frame in the appropriate colour, required execution variant, and with the desired design flow, classic or pure. The complete product is then ready. In addition, Berker integro is convincing with a product depth that satisfies any requirement. From the simple connection of TV/audio technology to the switching of light fixtures and the international standardisation of the connector systems – with Berker integro you will find the right solution for your requirement.



Additional basic variants – module inserts:

- TV/audio and international socket outlets
- Rocker push-button, blind push-button

Additional frame variants:

- with labelling field
- with lens for control LED
- IP44 with sealing

¹1-gang to 3-gang frame suitable for vertical or horizontal mounting

²Shown here in the Flow design

³Complete products and multiple combinations are shown as examples only

The product depth, as well as the function and country variants of Berker integro are perfectly complemented by a variety of colour and surface versions. In the overview below, the standard colour variants in the high-quality surface textures of the three integro design lines are presented. Other colour and surface variants are possible on request.

| Colour variant | Surface condition | similar to RAL hue | Berker integro design flow | Berker integro design classic | Berker integro design pure |
|-----------------|-------------------------|--------------------|----------------------------|-------------------------------|----------------------------|
| brown | matt | RAL 8017 | | | |
| anthracite | matt | RAL 7021 | | | |
| grey | glossy | RAL 7038 | | | |
| polar white | glossy | RAL 9010 | | | |
| black | matt | RAL 9011 | | | |
| black | glossy | RAL 9005 | | | |
| granite black | satin finish, lacquered | RAL 7026 | | | |
| chrome | matt, lacquered | RAL 9006 | | | |
| chrome | glossy, galvanised | RAL 9023 | | | |
| chrome | matt, lacquered | RAL 9006 | | | |
| stainless steel | lackiert | RAL 9022 | | | |
| gold | glossy, galvanised | | | | |
| Socket outlets | | | | | |
| red | glossy | RAL 3003 | | | |
| green | glossy | RAL 6032 | | | |
| orange | glossy | RAL 2008 | | | |

Our terms of payment, sales and delivery shall exclusively apply.

Although our publications are intended to provide information to the best of our knowledge, they shall not be construed as being legally binding.

Illustrations are not binding, especially with regard to colour, size and equipment of the products shown.

Industrial property rights exist for many of the products. We reserve the right to make technical and formal changes to our products in the interest of technical progress.

All items in this catalogue which are subject to CE regulations bear the CE mark, which it is also marked in the packaging.

A.1

Seite

| | | |
|-----------|--|-----|
| 01 | Berker integro – Module inserts | 18 |
| 02 | Berker integro – design flow | 68 |
| 03 | Berker integro – design classic | 82 |
| 04 | Berker integro – design pure | 94 |
| 05 | Berker – design twin | 102 |
| 06 | Berker twin-box | 112 |

A.2

Seite

| | | |
|-----------|---|-----|
| 07 | Berker – integro box | 128 |
| 08 | Berker built-in socket outlets | 136 |
| 09 | Berker medical and laboratory technology | 152 |
| 10 | Berker Solutions | 180 |
| 11 | Technical information | 194 |

01 Berker integro
Module inserts



18

02 Berker integro
design flow



68

03 Berker integro
design classic



82

04 Berker integro
design pure



94

05 Berker
design twin



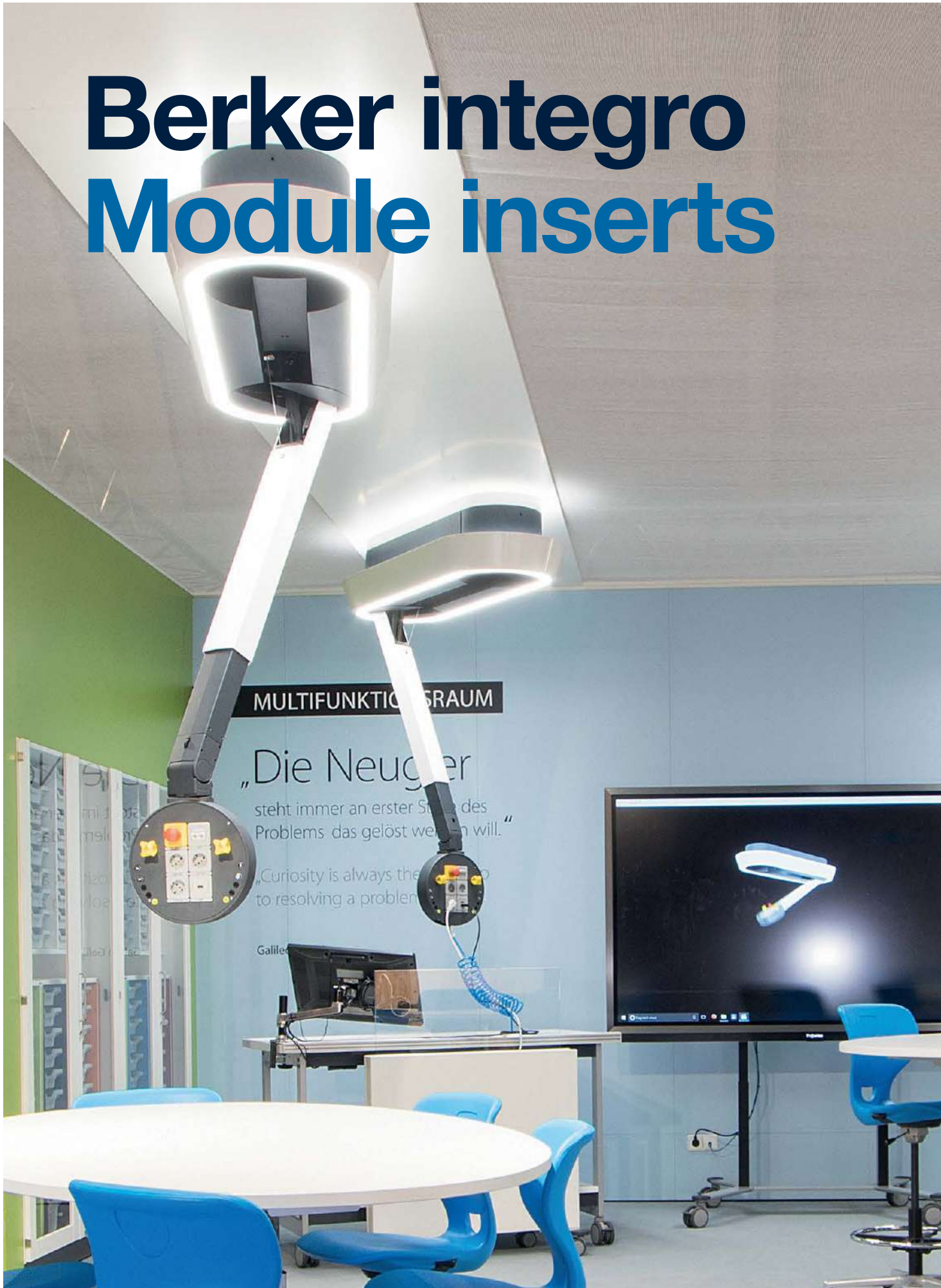
102

06 Berker
twin-box



112

Berker integro Module inserts



MULTIFUNKTIONSBRAUM

„Die Neugier
steht immer an erster Stelle des
Problems, das gelöst werden will.“

„Curiosity is always the key to
resolving a problem.“

Galileo



Berker integro

Module inserts


Tiny but virtually indispensable, the round function elements of the module inserts give every unit its unmistakable character. With their minimal dimensions and shallow installation depths, they are extremely versatile. The incredible depth of the product range means you have an excellent variety of functions available, and thus the optimal solution in each case.



01

Page

| | |
|---|----|
| SCHUKO socket outlets | 22 |
| SCHUKO socket outlets with SNAP IN | 28 |
| Socket outlets with earthing contact | 37 |
| Socket outlets with earthing pin | 40 |
| Socket outlets without earthing contact | 43 |
| Connecting devices 12 V | 44 |
| USB charging sockets | 47 |
| TV/multimedia | 48 |
| Rocker switch | 54 |
| Rocker push-button | 58 |
| Blind push-button | 60 |
| Reverse polarity push-button | 60 |
| Appliance switch | 62 |
| 1 – 10 V control units | 62 |
| Accessories | 63 |


 Marked items are suitable for splash-protected IP44 installation when used in conjunction with the corresponding sealing set.

SCHUKO socket outlets

- for 4-hole screw fitting

SCHUKO socket outlets with plug-in terminals

- thermoplastic centre plates and bases
- contacts made of copper alloy

 Marked items are only suitable for splash-protected IP44 installation when used in conjunction with sealing (order no. 918 53), frame with hinged cover and imprint "IP44" and contact protection box.



SCHUKO socket outlet

▶ 196



- plug-in terminals



Rated voltage 250 V~
Rated current 16 A
Earth bracket clamping forces according to TNO requirements.
Standard NEN 1010
Connection terminals according to IEC 60884-1

| Suitable for | Order no. | Page |
|--|-----------|------|
| Contact protection box Ø 45 mm | 918 20 .. | 63 |
| Contact protection box Ø 49 mm | 918 8 .. | 63 |
| Contact protection box 2gang | 9 191 .. | 64 |
| Contact protection box 3gang | 919 33 | 64 |
| Optional | | |
| Sealing for IP 44 applications | 918 53 | 78 |
| Frame with hinged cover and imprint "IP44" | 8 1828 .. | 78 |

| Design | Order no. | PU |
|------------------|---------------------|-----|
| brown matt | 8 4778 25 01 | 200 |
| anthracite matt | 8 4778 25 05 | 200 |
| grey matt | 8 4778 25 06 | 200 |
| polar white matt | 8 4778 25 02 | 200 |
| brown matt | 9 4778 25 01 | 10 |
| anthracite matt | 9 4778 25 05 | 10 |
| grey matt | 9 4778 25 06 | 10 |
| polar white matt | 9 4778 25 02 | 10 |
| black matt | 9 4778 25 03 | 10 |



SCHUKO socket outlet

▶ 196



- enhanced contact protection - plug-in terminals



Rated voltage 250 V~
Rated current 16 A
Earth bracket clamping forces according to TNO requirements.
Standard NEN 1010
Connection terminals according to IEC 60884-1
Enhanced contact protection according to IEC 60884-1


| Suitable for | Order no. | Page |
|--|-----------|------|
| Contact protection box Ø 45 mm | 918 20 .. | 63 |
| Contact protection box Ø 49 mm | 918 8 .. | 63 |
| Contact protection box 2gang | 9 191 .. | 64 |
| Contact protection box 3gang | 919 33 | 64 |
| Optional | | |
| Sealing for IP 44 applications | 918 53 | 78 |
| Frame with hinged cover and imprint "IP44" | 8 1828 .. | 78 |

| Design | Order no. | PU |
|------------------|---------------------|-----|
| brown matt | 8 4779 25 01 | 200 |
| anthracite matt | 8 4779 25 05 | 200 |
| grey matt | 8 4779 25 06 | 200 |
| polar white matt | 8 4779 25 02 | 200 |
| brown matt | 9 4779 25 01 | 10 |
| anthracite matt | 9 4779 25 05 | 10 |
| grey matt | 9 4779 25 06 | 10 |
| polar white matt | 9 4779 25 02 | 10 |
| black matt | 9 4779 25 03 | 10 |



SCHUKO socket outlets with screw terminals

- thermoplastic centre plates
- duroplast base
- contacts made of copper alloy

 Marked items are only suitable for splash-protected IP44 installation when used in conjunction with sealing (order no. 918 53), frame with hinged cover and imprint "IP44" and contact protection box.

 **SCHUKO socket outlet**

▶ 196

- screw terminals



Rated voltage 250 V~
Rated current 16 A

Connection terminals according to IEC 60884-1

| Suitable for | Order no. | Page |
|--|-----------|------|
| Contact protection box Ø 45 mm | 918 20 .. | 63 |
| Contact protection box Ø 49 mm | 918 8 .. | 63 |
| Contact protection box 2gang | 9 191 .. | 64 |
| Contact protection box 3gang | 919 33 | 64 |
| Optional | | |
| Sealing for IP 44 applications | 918 53 | 78 |
| Frame with hinged cover and imprint "IP44" | 8 1828 .. | 78 |

| Design | Order no. | PU |
|------------------|---------------------|-----|
| brown matt | 8 4185 25 01 | 200 |
| anthracite matt | 8 4185 25 05 | 200 |
| grey matt | 8 4185 25 06 | 200 |
| polar white matt | 8 4185 25 02 | 200 |
| black matt | 8 4185 05 | 200 |
| | | |
| brown matt | 9 4185 25 01 | 10 |
| anthracite matt | 9 4185 25 05 | 10 |
| grey matt | 9 4185 25 06 | 10 |
| polar white matt | 9 4185 25 02 | 10 |
| black matt | 9 4185 05 | 10 |



 **SCHUKO socket outlet**

▶ 196

- enhanced contact protection
- screw terminals



Rated voltage 250 V~
Rated current 16 A

Connection terminals according to IEC 60884-1

Enhanced contact protection according to IEC 60884-1

| Suitable for | Order no. | Page |
|--|-----------|------|
| Contact protection box Ø 45 mm | 918 20 .. | 63 |
| Contact protection box Ø 49 mm | 918 8 .. | 63 |
| Contact protection box 2gang | 9 191 .. | 64 |
| Contact protection box 3gang | 919 33 | 64 |
| Optional | | |
| Sealing for IP 44 applications | 918 53 | 78 |
| Frame with hinged cover and imprint "IP44" | 8 1828 .. | 78 |

| Design | Order no. | PU |
|------------------|---------------------|-----|
| brown matt | 8 4195 25 01 | 200 |
| anthracite matt | 8 4195 25 05 | 200 |
| grey matt | 8 4195 25 06 | 200 |
| polar white matt | 8 4195 25 02 | 200 |
| black matt | 8 4195 05 | 200 |
| | | |
| brown matt | 9 4195 25 01 | 10 |
| anthracite matt | 9 4195 25 05 | 10 |
| grey matt | 9 4195 25 06 | 10 |
| polar white matt | 9 4195 25 02 | 10 |
| black matt | 9 4195 05 | 10 |





SCHUKO socket outlet 45°

▶ 196



- screw terminals



Rated voltage 250 V~
Rated current 16 A

Connection terminals according to IEC 60884-1

- for diagonal installation

| Suitable for | Order no. | Page |
|--|-----------------|------|
| Contact protection box Ø 49 mm | 918 8 .. | 63 |
| Contact protection box 2gang | 9 191 .. | 64 |
| Contact protection box 3gang | 919 33 | 64 |
| Contact protection box Ø 58 mm for terminal attachment | 818 37 .. | 65 |
| Optional | | |
| Sealing for IP 44 applications | 918 53 | 78 |
| Frame with hinged cover and imprint "IP44" | 8 1828 .. | 78 |
| Frame with hinged cover and imprint "IP44" | 9 1828 25 99 .. | 78 |

| Design | Order no. | PU |
|------------------|---------------------|-----|
| brown matt | 8 4185 25 21 | 200 |
| anthracite matt | 8 4185 25 25 | 200 |
| grey matt | 8 4185 25 26 | 200 |
| polar white matt | 8 4185 25 22 | 200 |
| black matt | 8 4185 25 | 200 |
| black matt | 9 4185 25 | 10 |



SCHUKO socket outlets with insulation-piercing terminals

- new insulation displacement contact technology: quick and easy connection with the joining tool, order no. 8 1726 25 81
- VDE approval
- up to 2 flexible conductors with a cross section of 2.5 mm² can be connected for each insulation displacement contact; wires do not have to be stripped in advance.
- enables multiple socket outlets to be looped through without breaking the conductors.
- IPT contacts made from copper alloy, tin-plated
- thermoplastic centre plates and bases
- base with snap-on safety cap



Marked items are only suitable for splash-protected IP44 installation when used in conjunction with sealing (order no. 9 1853 01) and frame with hinged cover and imprint "IP44".



SCHUKO socket outlet

▶ 198



- insulation-piercing terminals



Rated voltage 250 V~
Rated current 16 A
Conductor cross-section (flexible) 2.5 mm²

Earth bracket clamping forces according to TNO requirements.

Not suitable for contact protection boxes (cavity walls).

Connection terminals according to IEC 60884-1

| Suitable for | Order no. | Page |
|---|-----------|------|
| Optional | | |
| Sealing IP44 for socket outlets with insulation displacement contacts | 9 1853 01 | 79 |
| Frame with hinged cover and imprint "IP44" | 8 1828 .. | 78 |

| Design | Order no. | PU |
|------------------|---------------------|-----|
| anthracite matt | 8 4800 25 05 | 200 |
| grey matt | 8 4800 25 06 | 200 |
| polar white matt | 8 4800 25 02 | 200 |
| black matt | 8 4800 25 08 | 200 |
| red matt | 8 4800 25 07 | 200 |
| green matt | 8 4800 25 03 | 200 |
| orange matt | 8 4800 25 04 | 200 |



SCHUKO socket outlet

▶ 198



- enhanced contact protection
- insulation-piercing terminals



| | |
|------------------------------------|---------------------|
| Rated voltage | 250 V~ |
| Rated current | 16 A |
| Conductor cross-section (flexible) | 2.5 mm ² |

Earth bracket clamping forces according to TNO requirements.

Not suitable for contact protection boxes (cavity walls).

Connection terminals according to IEC 60884-1

Enhanced contact protection according to IEC 60884-1

**Suitable for
Optional**

Order no.

Page

| | | |
|---|-----------|----|
| Sealing IP44 for socket outlets with insulation displacement contacts | 9 1853 01 | 79 |
| Frame with hinged cover and imprint "IP44" | 8 1828 .. | 78 |

| Design | Order no. | PU |
|------------------|---------------------|-----|
| anthracite matt | 8 4801 25 05 | 200 |
| grey matt | 8 4801 25 06 | 200 |
| polar white matt | 8 4801 25 02 | 200 |
| black matt | 8 4801 25 08 | 200 |
| red matt | 8 4801 25 07 | 200 |
| green matt | 8 4801 25 03 | 200 |
| orange matt | 8 4801 25 04 | 200 |



SCHUKO socket outlet with control LED

▶ 198



- insulation-piercing terminals



| | |
|------------------------------------|---------------------|
| Rated voltage | 250 V~ |
| Rated current | 16 A |
| LED current | 1 mA |
| Conductor cross-section (flexible) | 2.5 mm ² |

Earth bracket clamping forces according to TNO requirements.

Not suitable for contact protection boxes (cavity walls).

Connection terminals according to IEC 60884-1

- with green control LED as function light

**Suitable for
Optional**

Order no.

Page

| | | |
|---|-----------|------------|
| Frame with hinged cover and imprint "IP44" | | from p. 78 |
| Sealing IP44 for socket outlets with insulation displacement contacts | 9 1853 01 | 79 |

| Design | Order no. | PU |
|------------------|---------------------|-----|
| anthracite matt | 8 4800 25 15 | 200 |
| grey matt | 8 4800 25 16 | 200 |
| polar white matt | 8 4800 25 12 | 200 |
| black matt | 8 4800 25 18 | 200 |
| red matt | 8 4800 25 17 | 200 |
| green matt | 8 4800 25 13 | 200 |
| orange matt | 8 4800 25 14 | 200 |





SCHUKO socket outlet with control LED

- enhanced contact protection
- insulation-piercing terminals



| | |
|------------------------------------|---------------------|
| Rated voltage | 250 V~ |
| Rated current | 16 A |
| LED current | 1 mA |
| Conductor cross-section (flexible) | 2.5 mm ² |

Earth bracket clamping forces according to TNO requirements.

Not suitable for contact protection boxes (cavity walls).

Connection terminals according to IEC 60884-1

Enhanced contact protection according to IEC 60884-1

- with green control LED as function light

Suitable for
Optional

Frame with hinged cover and imprint "IP44"
Sealing IP44 for socket outlets with insulation displacement contacts

Order no.

9 1853 01

▶ 198

Page

from p. 78
79

| Design | Order no. | PU |
|------------------|---------------------|-----|
| anthracite matt | 8 4801 25 15 | 200 |
| grey matt | 8 4801 25 16 | 200 |
| polar white matt | 8 4801 25 12 | 200 |
| black matt | 8 4801 25 18 | 200 |
| red matt | 8 4801 25 17 | 200 |
| green matt | 8 4801 25 13 | 200 |
| orange matt | 8 4801 25 14 | 200 |



SCHUKO socket outlet 45°

- insulation-piercing terminals



| | |
|------------------------------------|---------------------|
| Rated voltage | 250 V~ |
| Rated current | 16 A |
| Conductor cross-section (flexible) | 2.5 mm ² |

Earth bracket clamping forces according to TNO requirements.

Not suitable for contact protection boxes (cavity walls).

Connection terminals according to IEC 60884-1

- for diagonal installation

Suitable for
Optional

Sealing IP44 for socket outlets with insulation displacement contacts
Frame with hinged cover and imprint "IP44"

Order no.

9 1853 01
8 1828 ..

▶ 198

Page

79
78

| Design | Order no. | PU |
|------------------|---------------------|-----|
| anthracite matt | 8 4850 25 05 | 200 |
| grey matt | 8 4850 25 06 | 200 |
| polar white matt | 8 4850 25 02 | 200 |
| black matt | 8 4850 25 08 | 200 |
| red matt | 8 4850 25 07 | 200 |
| green matt | 8 4850 25 03 | 200 |
| orange matt | 8 4850 25 04 | 200 |





SCHUKO socket outlet 45°

- enhanced contact protection
- insulation-piercing terminals



| | |
|------------------------------------|---------------------|
| Rated voltage | 250 V~ |
| Rated current | 16 A |
| Conductor cross-section (flexible) | 2.5 mm ² |

Earth bracket clamping forces according to TNO requirements.

Not suitable for contact protection boxes (cavity walls).

Connection terminals according to IEC 60884-1

Enhanced contact protection according to IEC 60884-1

– for diagonal installation

| Suitable for | Order no. | Page |
|---|-----------|------|
| Optional | | |
| Sealing IP44 for socket outlets with insulation displacement contacts | 9 1853 01 | 79 |
| Frame with hinged cover and imprint "IP44" | 8 1828 .. | 78 |

| Design | Order no. | PU |
|------------------|---------------------|-----|
| anthracite matt | 8 4851 25 05 | 200 |
| grey matt | 8 4851 25 06 | 200 |
| polar white matt | 8 4851 25 02 | 200 |
| black matt | 8 4851 25 08 | 200 |
| red matt | 8 4851 25 07 | 200 |
| green matt | 8 4851 25 03 | 200 |
| orange matt | 8 4851 25 04 | 200 |



SCHUKO socket outlet 45° with control LED

- insulation-piercing terminals



| | |
|------------------------------------|---------------------|
| Rated voltage | 250 V~ |
| Rated current | 16 A |
| LED current | 1 mA |
| Conductor cross-section (flexible) | 2.5 mm ² |

Earth bracket clamping forces according to TNO requirements.

Not suitable for contact protection boxes (cavity walls).

Connection terminals according to IEC 60884-1

- with green control LED as function light
- for diagonal installation

| Suitable for | Order no. | Page |
|---|-----------|------------|
| Optional | | |
| Frame with hinged cover and imprint "IP44" | | from p. 78 |
| Sealing IP44 for socket outlets with insulation displacement contacts | 9 1853 01 | 79 |

| Design | Order no. | PU |
|------------------|---------------------|-----|
| anthracite matt | 8 4850 25 15 | 200 |
| grey matt | 8 4850 25 16 | 200 |
| polar white matt | 8 4850 25 12 | 200 |
| black matt | 8 4850 25 18 | 200 |
| red matt | 8 4850 25 17 | 200 |
| green matt | 8 4850 25 13 | 200 |
| orange matt | 8 4850 25 14 | 200 |



SCHUKO socket outlet 45° with control LED



- enhanced contact protection
- insulation-piercing terminals



| | |
|------------------------------------|---------------------|
| Rated voltage | 250 V~ |
| Rated current | 16 A |
| LED current | 1 mA |
| Conductor cross-section (flexible) | 2.5 mm ² |

Earth bracket clamping forces according to TNO requirements.

Not suitable for contact protection boxes (cavity walls).

Connection terminals according to IEC 60884-1

Enhanced contact protection according to IEC 60884-1

- with green control LED as function light
- for diagonal installation

**Suitable for
Optional**

Frame with hinged cover and imprint "IP44"
Sealing IP44 for socket outlets with insulation displacement contacts

Order no.

Page

from p. 78
79

| Design | Order no. | PU |
|------------------|---------------------|-----|
| anthracite matt | 8 4851 25 15 | 200 |
| grey matt | 8 4851 25 16 | 200 |
| polar white matt | 8 4851 25 12 | 200 |
| black matt | 8 4851 25 18 | 200 |
| red matt | 8 4851 25 17 | 200 |
| green matt | 8 4851 25 13 | 200 |
| orange matt | 8 4851 25 14 | 200 |



Joining tool for Berker integro socket outlets with IPT technology

| Design | Order no. | PU |
|-----------|---------------------|-----|
| blue matt | 8 1726 25 81 | 200 |
| blue matt | 9 1726 25 81 | 10 |

SCHUKO socket outlets with SNAP IN

- for catch fixing

SCHUKO socket outlets with SNAP IN and plug-in terminals

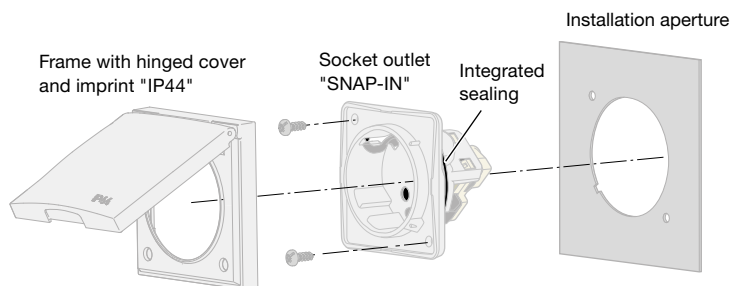
- thermoplastic centre plates and bases
- contacts made of copper alloy



Marked items are only suitable for splash-protected IP44 installation when used in conjunction with corresponding frame with hinged cover and imprint "IP44".

Assembly instructions for IP44 "SNAP-IN" SCHUKO socket outlets

Not suitable for contact protection boxes!



Attention!

Only upon compliance with the assembly instructions the degree of protection IP 44 is guaranteed.

SCHUKO socket outlet 45°, SNAP IN

▶ 196



- plug-in terminals



Rated voltage 250 V~
Rated current 16 A

- with distance sealing ring
- for diagonal installation

| Suitable for Optional | Order no. | Page |
|--|-----------|------|
| Frame with hinged cover and imprint "IP44" | 8 1828 .. | 78 |

Earth bracket clamping forces according to TNO requirements.

Not suitable for contact protection boxes (cavity walls).

Standard NEN 1010

Connection terminals according to IEC 60884-1

| Design | Order no. | PU |
|--------|-----------|----|
|--------|-----------|----|

for installation wall thickness 1 mm (± 0.1 mm)

| | | |
|-----------------|---------------------|-----|
| anthracite matt | 8 4733 25 05 | 200 |
|-----------------|---------------------|-----|

| | | |
|-----------|---------------------|-----|
| grey matt | 8 4733 25 06 | 200 |
|-----------|---------------------|-----|

for installation wall thickness 1.8 mm (± 0.2 mm)

| | | |
|-----------|---------------------|-----|
| grey matt | 8 4787 25 06 | 200 |
|-----------|---------------------|-----|



SCHUKO socket outlet 45°, SNAP IN

▶ 196



- enhanced contact protection

- plug-in terminals



Rated voltage 250 V~
Rated current 16 A

- with distance sealing ring
- for diagonal installation

| Suitable for Optional | Order no. | Page |
|--|-----------|------|
| Frame with hinged cover and imprint "IP44" | 8 1828 .. | 78 |

Earth bracket clamping forces according to TNO requirements.

Not suitable for contact protection boxes (cavity walls).

Standard NEN 1010

Connection terminals according to IEC 60884-1

Enhanced contact protection according to IEC 60884-1

| Design | Order no. | PU |
|--------|-----------|----|
|--------|-----------|----|

for installation wall thickness 1.8 mm (± 0.2 mm)

| | | |
|-----------|---------------------|-----|
| grey matt | 8 4788 25 06 | 200 |
|-----------|---------------------|-----|

| | | |
|--|--|--|
| for installation wall thickness 2.8 mm (± 0.2 mm) | | |
|--|--|--|

| | | |
|-----------|---------------------|-----|
| grey matt | 8 4731 25 06 | 200 |
|-----------|---------------------|-----|



SCHUKO socket outlet 45° with control LED, SNAP IN

▶ 196



- enhanced contact protection
- plug-in terminals



| | |
|-----------------------------|--------|
| Operating voltage | 250 V~ |
| Rated current | 16 A |
| LED current | 1 mA |
| Installation wall thickness | 2 mm |

- with green control LED as function light
- with distance sealing ring
- for diagonal installation

| Suitable for | Order no. | Page |
|--|-----------|------------|
| Optional | | |
| Frame with hinged cover and imprint "IP44" | | from p. 78 |

Earth bracket clamping forces according to TNO requirements.

Not suitable for contact protection boxes (cavity walls).

Standard NEN 1010

Connection terminals according to IEC 60884-1

Enhanced contact protection according to IEC 60884-1

| Design | Order no. | PU |
|--|---------------------|-----|
| for installation wall thickness 2 mm (± 0.2 mm) | | |
| anthracite matt | 9 4713 25 05 | 200 |
| grey matt | 9 4713 25 06 | 200 |
| polar white matt | 9 4713 25 02 | 200 |
| red matt | 9 4713 25 76 | 200 |
| green matt | 9 4713 25 03 | 200 |
| orange matt | 9 4713 25 04 | 200 |



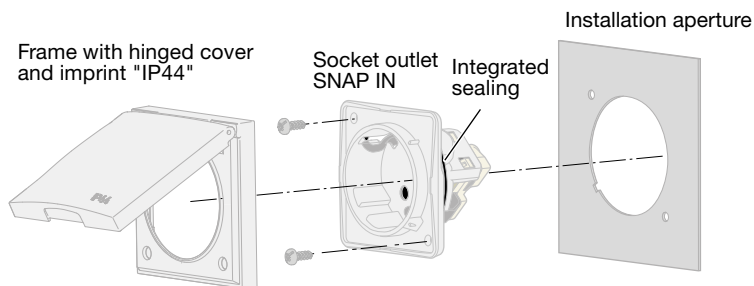
SCHUKO socket outlets with SNAP IN and screw terminals

- thermoplastic centre plates
- duroplast base
- contacts made of copper alloy

Marked items are only suitable for splash-protected IP44 installation when used in conjunction with corresponding frame with hinged cover and imprint "IP44".

Assembly instructions for IP44 "SNAP-IN" socket outlets with screw terminals

Not suitable for contact protection boxes!



Attention!
Only upon compliance with the assembly instructions the degree of protection IP 44 is guaranteed.

SCHUKO socket outlet 45°, SNAP IN

▶ 196



- screw terminals



Rated voltage 250 V~
Rated current 16 A

Not suitable for contact protection boxes (cavity walls).
Connection terminals according to IEC 60884-1

- with distance sealing ring
- for diagonal installation

| Suitable for Optional | Order no. | Page |
|--|-----------|------|
| Frame with hinged cover and imprint "IP44" | 8 1828 .. | 78 |



| Design | Order no. | PU |
|--|---------------------|-----|
| for installation wall thickness 1 mm (± 0.1 mm) | | |
| grey matt | 8 4104 25 06 | 200 |

SCHUKO socket outlet 45°, SNAP IN

▶ 196



- enhanced contact protection
- screw terminals



Rated voltage 250 V~
Rated current 16 A

Not suitable for contact protection boxes (cavity walls).
Connection terminals according to IEC 60884-1
Enhanced contact protection according to IEC 60884-1

- with distance sealing ring
- for diagonal installation

| Suitable for Optional | Order no. | Page |
|--|-----------|------|
| Frame with hinged cover and imprint "IP44" | 8 1828 .. | 78 |



| Design | Order no. | PU |
|--|---------------------|-----|
| for installation wall thickness 1.8 mm (± 0.2 mm) | | |
| grey matt | 8 4140 25 06 | 200 |

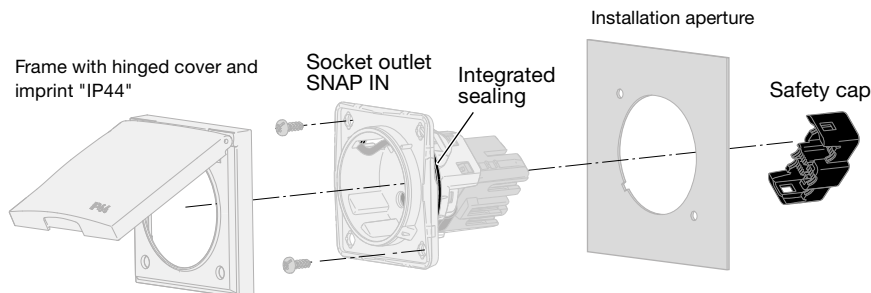
SCHUKO socket outlets with "SNAP IN" and insulation-piercing terminals

- new insulation displacement contact technology: quick and easy connection with the joining tool, order no. 8 1726 25 81
- VDE approval
- up to 2 flexible conductors with a cross section of 2.5 mm² can be connected for each insulation displacement contact; wires do not have to be stripped in advance.
- enables multiple socket outlets to be looped through without breaking the conductors.
- IPT contacts made from copper alloy, tin-plated
- thermoplastic centre plates and bases
- base with snap-on safety cap

Marked items are only suitable for splash-protected IP44 installation when used in conjunction with corresponding frame with hinged cover and imprint "IP44".

Assembly instructions for IP44 socket outlets with insulation-piercing terminals

Not suitable for contact protection boxes!



Attention!
Only upon compliance with the assembly instructions the degree of protection IP 44 is guaranteed.



SCHUKO socket outlet, SNAP IN

- insulation-piercing terminals



Rated voltage 250 V~
 Rated current 16 A
 Conductor cross-section (flexible) 2.5 mm²

Earth bracket clamping forces according to TNO requirements.

Not suitable for contact protection boxes (cavity walls).

Connection terminals according to IEC 60884-1

- with distance sealing ring

Suitable for
Optional

Frame with hinged cover and imprint "IP44"

Order no.

8 1828 ..

Page

78

▶ 198

Design

Order no.

PU

for installation wall thickness 1 mm (± 0.1 mm)

| | | |
|------------------|--------------|-----|
| anthracite matt | 8 4810 25 05 | 200 |
| grey matt | 8 4810 25 06 | 200 |
| polar white matt | 8 4810 25 02 | 200 |
| black matt | 8 4810 25 08 | 200 |
| red matt | 8 4810 25 07 | 200 |
| green matt | 8 4810 25 03 | 200 |
| orange matt | 8 4810 25 04 | 200 |

for installation wall thickness 2 mm (+0.1/-0.3 mm)

| | | |
|------------------|--------------|-----|
| anthracite matt | 8 4820 25 05 | 200 |
| grey matt | 8 4820 25 06 | 200 |
| polar white matt | 8 4820 25 02 | 200 |
| black matt | 8 4820 25 08 | 200 |
| red matt | 8 4820 25 07 | 200 |
| green matt | 8 4820 25 03 | 200 |
| orange matt | 8 4820 25 04 | 200 |

for installation wall thickness 3 mm (+0.1/-0.3 mm)

| | | |
|------------------|--------------|-----|
| anthracite matt | 8 4830 25 05 | 200 |
| grey matt | 8 4830 25 06 | 200 |
| polar white matt | 8 4830 25 02 | 200 |
| black matt | 8 4830 25 08 | 200 |
| red matt | 8 4830 25 07 | 200 |
| green matt | 8 4830 25 03 | 200 |
| orange matt | 8 4830 25 04 | 200 |



SCHUKO socket outlet, SNAP IN

- enhanced contact protection

- insulation-piercing terminals



Rated voltage 250 V~
 Rated current 16 A
 Conductor cross-section (flexible) 2.5 mm²

Earth bracket clamping forces according to TNO requirements.

Not suitable for contact protection boxes (cavity walls).

Connection terminals according to IEC 60884-1

Enhanced contact protection according to IEC 60884-1

- with distance sealing ring

Suitable for
Optional

Frame with hinged cover and imprint "IP44"

Order no.

8 1828 ..

Page

78

▶ 198

Design

Order no.

PU

for installation wall thickness 1 mm (± 0.1 mm)

| | | |
|------------------|--------------|-----|
| anthracite matt | 8 4811 25 05 | 200 |
| grey matt | 8 4811 25 06 | 200 |
| polar white matt | 8 4811 25 02 | 200 |
| black matt | 8 4811 25 08 | 200 |
| red matt | 8 4811 25 07 | 200 |
| green matt | 8 4811 25 03 | 200 |
| orange matt | 8 4811 25 04 | 200 |



for installation wall thickness 2 mm (+0.1/-0.3 mm)

| | | |
|------------------|--------------|-----|
| anthracite matt | 8 4821 25 05 | 200 |
| grey matt | 8 4821 25 06 | 200 |
| polar white matt | 8 4821 25 02 | 200 |
| black matt | 8 4821 25 08 | 200 |
| red matt | 8 4821 25 07 | 200 |
| green matt | 8 4821 25 03 | 200 |
| orange matt | 8 4821 25 04 | 200 |

for installation wall thickness 3 mm (+0.1/-0.3 mm)

| | | |
|------------------|--------------|-----|
| anthracite matt | 8 4831 25 05 | 200 |
| grey matt | 8 4831 25 06 | 200 |
| polar white matt | 8 4831 25 02 | 200 |
| black matt | 8 4831 25 08 | 200 |
| red matt | 8 4831 25 07 | 200 |
| green matt | 8 4831 25 03 | 200 |
| orange matt | 8 4831 25 04 | 200 |



SCHUKO socket outlet with control LED, SNAP IN

- insulation-piercing terminals



| | |
|------------------------------------|---------------------|
| Rated voltage | 250 V~ |
| Rated current | 16 A |
| LED current | 1 mA |
| Conductor cross-section (flexible) | 2.5 mm ² |

Earth bracket clamping forces according to TNO requirements.

Not suitable for contact protection boxes (cavity walls).

Connection terminals according to IEC 60884-1

- with green control LED as function light
- with distance sealing ring

| Suitable for | Order no. | Page |
|---|-----------|------------|
| Frame with lens | | from p. 75 |
| Optional Frame with hinged cover and imprint "IP44" | | from p. 78 |

| Design | Order no. | PU |
|--------|-----------|----|
|--------|-----------|----|

for installation wall thickness 1 mm (± 0.1 mm)

| | | |
|------------------|--------------|-----|
| anthracite matt | 8 4810 25 15 | 200 |
| polar white matt | 8 4810 25 12 | 200 |
| red matt | 8 4810 25 17 | 200 |
| green matt | 8 4810 25 13 | 200 |
| orange matt | 8 4810 25 14 | 200 |

for installation wall thickness 2 mm (+0.1/-0.3 mm)

| | | |
|------------------|--------------|-----|
| anthracite matt | 8 4820 25 15 | 200 |
| polar white matt | 8 4820 25 12 | 200 |
| red matt | 8 4820 25 17 | 200 |
| green matt | 8 4820 25 13 | 200 |
| orange matt | 8 4820 25 14 | 200 |

for installation wall thickness 3 mm (+0.1/-0.3 mm)

| | | |
|------------------|--------------|-----|
| anthracite matt | 8 4830 25 15 | 200 |
| polar white matt | 8 4830 25 12 | 200 |
| red matt | 8 4830 25 17 | 200 |
| green matt | 8 4830 25 13 | 200 |
| orange matt | 8 4830 25 14 | 200 |





SCHUKO socket outlet with control LED, SNAP IN

▶ 198

- enhanced contact protection
- insulation-piercing terminals



| | |
|------------------------------------|---------------------|
| Rated voltage | 250 V~ |
| Rated current | 16 A |
| LED current | 1 mA |
| Conductor cross-section (flexible) | 2.5 mm ² |

- with green control LED as function light
- with distance sealing ring

| Suitable for Optional | Order no. | Page |
|--|-----------|------------|
| Frame with hinged cover and imprint "IP44" | | from p. 78 |

Earth bracket clamping forces according to TNO requirements.

Not suitable for contact protection boxes (cavity walls).

Connection terminals according to IEC 60884-1

Enhanced contact protection according to IEC 60884-1

| Design | Order no. | PU |
|--|--------------|-----|
| for installation wall thickness 1 mm (± 0.1 mm) | | |
| anthracite matt | 8 4811 25 15 | 200 |
| polar white matt | 8 4811 25 12 | 200 |
| red matt | 8 4811 25 17 | 200 |
| green matt | 8 4811 25 13 | 200 |
| orange matt | 8 4811 25 14 | 200 |
| for installation wall thickness 2 mm (+0.1/-0.3 mm) | | |
| anthracite matt | 8 4821 25 15 | 200 |
| polar white matt | 8 4821 25 12 | 200 |
| red matt | 8 4821 25 17 | 200 |
| green matt | 8 4821 25 13 | 200 |
| orange matt | 8 4821 25 14 | 200 |
| for installation wall thickness 3 mm (+0.1/-0.3 mm) | | |
| anthracite matt | 8 4831 25 15 | 200 |
| polar white matt | 8 4831 25 12 | 200 |
| red matt | 8 4831 25 17 | 200 |
| green matt | 8 4831 25 13 | 200 |
| orange matt | 8 4831 25 14 | 200 |



SCHUKO socket outlet 45°, SNAP IN

▶ 198

- insulation-piercing terminals



| | |
|------------------------------------|---------------------|
| Rated voltage | 250 V~ |
| Rated current | 16 A |
| Conductor cross-section (flexible) | 2.5 mm ² |

- with distance sealing ring
- for diagonal installation

| Suitable for Optional | Order no. | Page |
|--|-----------|------|
| Frame with hinged cover and imprint "IP44" | 8 1828 .. | 78 |

Earth bracket clamping forces according to TNO requirements.

Not suitable for contact protection boxes (cavity walls).

Connection terminals according to IEC 60884-1

| Design | Order no. | PU |
|--|--------------|-----|
| for installation wall thickness 1 mm (± 0.1 mm) | | |
| anthracite matt | 8 4860 25 05 | 200 |
| grey matt | 8 4860 25 06 | 200 |
| polar white matt | 8 4860 25 02 | 200 |
| black matt | 8 4860 25 08 | 200 |
| red matt | 8 4860 25 07 | 200 |
| green matt | 8 4860 25 03 | 200 |
| orange matt | 8 4860 25 04 | 200 |



for installation wall thickness 2 mm (+0.1/-0.3 mm)

| | | |
|------------------|--------------|-----|
| anthracite matt | 8 4870 25 05 | 200 |
| grey matt | 8 4870 25 06 | 200 |
| polar white matt | 8 4870 25 02 | 200 |
| black matt | 8 4870 25 08 | 200 |
| red matt | 8 4870 25 07 | 200 |
| green matt | 8 4870 25 03 | 200 |
| orange matt | 8 4870 25 04 | 200 |

for installation wall thickness 3 mm (+0.1/-0.3 mm)

| | | |
|------------------|--------------|-----|
| anthracite matt | 8 4880 25 05 | 200 |
| grey matt | 8 4880 25 06 | 200 |
| polar white matt | 8 4880 25 02 | 200 |
| black matt | 8 4880 25 08 | 200 |
| red matt | 8 4880 25 07 | 200 |
| green matt | 8 4880 25 03 | 200 |
| orange matt | 8 4880 25 04 | 200 |



SCHUKO socket outlet 45°, SNAP IN

- enhanced contact protection
- insulation-piercing terminals



| | |
|------------------------------------|---------------------|
| Rated voltage | 250 V~ |
| Rated current | 16 A |
| Conductor cross-section (flexible) | 2.5 mm ² |

Earth bracket clamping forces according to TNO requirements.

Not suitable for contact protection boxes (cavity walls).

Connection terminals according to IEC 60884-1

Enhanced contact protection according to IEC 60884-1

- with distance sealing ring
- for diagonal installation

| Suitable for Optional | Order no. | Page |
|--|-----------|------|
| Frame with hinged cover and imprint "IP44" | 8 1828 .. | 78 |

| Design | Order no. | PU |
|--------|-----------|----|
|--------|-----------|----|

for installation wall thickness 1 mm (± 0.1 mm)

| | | |
|------------------|--------------|-----|
| anthracite matt | 8 4861 25 05 | 200 |
| grey matt | 8 4861 25 06 | 200 |
| polar white matt | 8 4861 25 02 | 200 |
| black matt | 8 4861 25 08 | 200 |
| red matt | 8 4861 25 07 | 200 |
| green matt | 8 4861 25 03 | 200 |
| orange matt | 8 4861 25 04 | 200 |

for installation wall thickness 2 mm (+0.1/-0.3 mm)

| | | |
|------------------|--------------|-----|
| anthracite matt | 8 4871 25 05 | 200 |
| grey matt | 8 4871 25 06 | 200 |
| polar white matt | 8 4871 25 02 | 200 |
| black matt | 8 4871 25 08 | 200 |
| red matt | 8 4871 25 07 | 200 |
| green matt | 8 4871 25 03 | 200 |
| orange matt | 8 4871 25 04 | 200 |

for installation wall thickness 3 mm (+0.1/-0.3 mm)

| | | |
|------------------|--------------|-----|
| anthracite matt | 8 4881 25 05 | 200 |
| grey matt | 8 4881 25 06 | 200 |
| polar white matt | 8 4881 25 02 | 200 |
| black matt | 8 4881 25 08 | 200 |
| red matt | 8 4881 25 07 | 200 |
| green matt | 8 4881 25 03 | 200 |
| orange matt | 8 4881 25 04 | 200 |



SCHUKO socket outlet 45° with control LED, SNAP IN

▶ 198



- insulation-piercing terminals



| | |
|------------------------------------|---------------------|
| Rated voltage | 250 V~ |
| Rated current | 16 A |
| LED current | 1 mA |
| Conductor cross-section (flexible) | 2.5 mm ² |

- with green control LED as function light
- with distance sealing ring
- for diagonal installation

| Suitable for Optional | Order no. | Page |
|--|-----------|------------|
| Frame with hinged cover and imprint "IP44" | | from p. 78 |

Earth bracket clamping forces according to TNO requirements.

Not suitable for contact protection boxes (cavity walls).

Connection terminals according to IEC 60884-1

| Design | Order no. | PU |
|--|---------------------|-----|
| for installation wall thickness 1 mm (± 0.1 mm) | | |
| anthracite matt | 8 4860 25 15 | 200 |
| polar white matt | 8 4860 25 12 | 200 |
| red matt | 8 4860 25 17 | 200 |
| green matt | 8 4860 25 13 | 200 |
| orange matt | 8 4860 25 14 | 200 |
| for installation wall thickness 2 mm (+0.1/-0.3 mm) | | |
| anthracite matt | 8 4870 25 15 | 200 |
| polar white matt | 8 4870 25 12 | 200 |
| red matt | 8 4870 25 17 | 200 |
| green matt | 8 4870 25 13 | 200 |
| orange matt | 8 4870 25 14 | 200 |
| for installation wall thickness 3 mm (+0.1/-0.3 mm) | | |
| anthracite matt | 8 4880 25 15 | 200 |
| polar white matt | 8 4880 25 12 | 200 |
| red matt | 8 4880 25 17 | 200 |
| green matt | 8 4880 25 13 | 200 |
| orange matt | 8 4880 25 14 | 200 |



SCHUKO socket outlet 45° with control LED, SNAP IN

▶ 198



- enhanced contact protection
- insulation-piercing terminals



| | |
|------------------------------------|---------------------|
| Rated voltage | 250 V~ |
| Rated current | 16 A |
| LED current | 1 mA |
| Conductor cross-section (flexible) | 2.5 mm ² |

- with green control LED as function light
- with distance sealing ring
- for diagonal installation

| Suitable for Optional | Order no. | Page |
|--|-----------|------------|
| Frame with hinged cover and imprint "IP44" | | from p. 78 |

Earth bracket clamping forces according to TNO requirements.

Not suitable for contact protection boxes (cavity walls).

Connection terminals according to IEC 60884-1

Enhanced contact protection according to IEC 60884-1

| Design | Order no. | PU |
|--|---------------------|-----|
| for installation wall thickness 1 mm (± 0.1 mm) | | |
| anthracite matt | 8 4861 25 15 | 200 |
| polar white matt | 8 4861 25 12 | 200 |
| red matt | 8 4861 25 17 | 200 |
| green matt | 8 4861 25 13 | 200 |
| orange matt | 8 4861 25 14 | 200 |



for installation wall thickness 2 mm (+0.1/-0.3 mm)

| | | |
|------------------|---------------------|-----|
| anthracite matt | 8 4871 25 15 | 200 |
| polar white matt | 8 4871 25 12 | 200 |
| red matt | 8 4871 25 17 | 200 |
| green matt | 8 4871 25 13 | 200 |
| orange matt | 8 4871 25 14 | 200 |

for installation wall thickness 3 mm (+0.1/-0.3 mm)

| | | |
|------------------|---------------------|-----|
| anthracite matt | 8 4881 25 15 | 200 |
| polar white matt | 8 4881 25 12 | 200 |
| red matt | 8 4881 25 17 | 200 |
| green matt | 8 4881 25 13 | 200 |
| orange matt | 8 4881 25 14 | 200 |

Socket outlets with earthing contact

NEMA-socket outlets



**Socket outlet with earthing contact USA/CANADA
NEMA 5-15 R**

▶ 196

- screw terminals

- 2pole + earth



| Suitable for | Order no. | Page |
|--------------------------------|-----------|------|
| Contact protection box Ø 45 mm | 918 20 .. | 63 |
| Contact protection box Ø 49 mm | 918 8 .. | 63 |
| Contact protection box 2gang | 9 191 .. | 64 |
| Contact protection box 3gang | 919 33 | 64 |

| | |
|---------------|--------|
| Rated voltage | 125 V~ |
| Rated current | 15 A |

Connecting terminals only suitable for wiring with massive conductors.

Insert, UL-certified: E140596

Standard NEMA 5-15 R

| Design | Order no. | PU |
|--------------------------------|---------------------|-----|
| brown matt, insert brown | 8 6263 25 01 | 200 |
| polar white matt, insert white | 8 6263 25 02 | 200 |
| black matt, insert black | 8 6263 25 13 | 200 |
| brown matt, insert brown | 9 6263 25 01 | 10 |
| polar white matt, insert white | 9 6263 25 02 | 10 |
| black matt, insert black | 9 6263 25 13 | 10 |



**Socket outlet with earthing contact USA/CANADA
NEMA 6-20 R**

▶ 196

- screw terminals

- 2pole + earth



| Suitable for | Order no. | Page |
|--------------------------------|-----------|------|
| Contact protection box Ø 45 mm | 918 20 .. | 63 |
| Contact protection box Ø 49 mm | 918 8 .. | 63 |
| Contact protection box 2gang | 9 191 .. | 64 |
| Contact protection box 3gang | 919 33 | 64 |

| | |
|---------------|--------|
| Rated voltage | 250 V~ |
| Rated current | 20 A |

Connecting terminals only suitable for wiring with massive conductors.

Insert, UL-certified: E140596

Standard NEMA 6-20 R

| Design | Order no. | PU |
|----------------------------------|---------------------|-----|
| brown matt, insert brown | 8 6254 25 01 | 200 |
| anthracite matt, insert brown | 8 6254 25 05 | 200 |
| grey glossy, insert white | 8 6254 25 07 | 200 |
| polar white glossy, insert white | 8 6254 25 09 | 200 |
| black glossy, insert brown | 8 6254 25 10 | 200 |
| brown matt, insert brown | 9 6254 25 01 | 10 |
| grey glossy, insert white | 9 6254 25 07 | 10 |
| polar white glossy, insert white | 9 6254 25 09 | 10 |
| black glossy, insert brown | 9 6254 25 10 | 10 |



Australian socket outlets



Socket outlet with earthing contact AUSTRALIA 10 A

▶ 196

- screw terminals

- 2pole + earth



Suitable for

Contact protection box Ø 45 mm
Contact protection box Ø 49 mm
Contact protection box 2gang
Contact protection box 3gang

Order no.

918 20 .. 63
918 8 .. 63
9 191 .. 64
919 33 64

Rated voltage

250 V~

Rated current

10 A

Design

Order no.

PU

brown matt, insert black

9 6258 25 01

10

anthracite matt, insert black

9 6258 25 05

10

grey matt, insert black

9 6258 25 06

10

polar white matt, insert white

9 6258 25 02

10

black matt, insert black

9 6258 05

10



Socket outlet with earthing contact AUSTRALIA 15 A

▶ 196

- screw terminals

- 2pole + earth



Suitable for

Contact protection box Ø 45 mm
Contact protection box Ø 49 mm
Contact protection box 2gang
Contact protection box 3gang

Order no.

918 20 .. 63
918 8 .. 63
9 191 .. 64
919 33 64

Rated voltage

250 V~

Rated current

15 A

Design

Order no.

PU

brown matt, insert black

9 6256 25 01

10

anthracite matt, insert black

9 6256 25 05

10

grey matt, insert black

9 6256 25 06

10

polar white matt, insert white

9 6256 25 02

10

black matt, insert black

9 6256 05

10



Danish socket outlets



Socket outlet with earthing contact DENMARK

▶ 196

- enhanced contact protection

- 2pole + earth

- screw terminals



Suitable for

Contact protection box Ø 45 mm
Contact protection box Ø 49 mm
Contact protection box 2gang
Contact protection box 3gang

Order no.

918 20 .. 63
918 8 .. 63
9 191 .. 64
919 33 64

Rated voltage

250 V~

Rated current

13 A

Standard DS 60884-2-D1:2011

Connection terminals according to IEC 60884-1

Enhanced contact protection according to IEC 60884-1

Design

Order no.

PU

black matt

8 6272 05

200

anthracite matt

9 6272 25 05

10

grey matt

9 6272 25 06

10

polar white matt

9 6272 25 02

10

black matt

9 6272 05

10

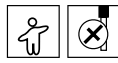


Italian socket outlets



Socket outlet with earthing contact ITALY

- enhanced contact protection
- screw terminals



Rated voltage 250 V~
Rated current 16 A

Not suitable for fixing clamping ring!
Enhanced contact protection according to IEC 60884-1

- 2pole + earth

Suitable for
Contact protection box Ø 49 mm
Contact protection box 2gang
Contact protection box 3gang

| Order no. | Page |
|-------------|------|
| 918 8 .. | 63 |
| 9 1915 0 .. | 64 |
| 919 33 | 64 |

| Design | Order no. | PU |
|--------------------------------|---------------------|----|
| anthracite matt, insert black | 9 6251 25 05 | 10 |
| polar white matt, insert white | 9 6251 25 02 | 10 |
| black matt, insert black | 9 6251 25 03 | 10 |



Swiss socket outlets



Socket outlet with earthing contact SWITZERLAND type 13

- screw terminals



Rated voltage 250 V~
Rated current 10 A

Not suitable for fixing clamping ring!
Connection terminals according to IEC 60884-1

- 2pole + earth

Suitable for
Contact protection box Ø 49 mm
Contact protection box 2gang
Contact protection box 3gang

| Order no. | Page |
|-------------|------|
| 918 8 .. | 63 |
| 9 1915 0 .. | 64 |
| 919 33 | 64 |

| Design | Order no. | PU |
|------------------|---------------------|-----|
| brown matt | 8 6249 25 01 | 200 |
| anthracite matt | 8 6249 25 05 | 200 |
| polar white matt | 8 6249 25 02 | 200 |
| black matt | 8 6249 05 | 200 |
| brown matt | 9 6249 25 01 | 10 |
| anthracite matt | 9 6249 25 05 | 10 |
| grey matt | 9 6249 25 06 | 10 |
| polar white matt | 9 6249 25 02 | 10 |
| black matt | 9 6249 05 | 10 |



Socket outlet with earthing contact SWITZERLAND type 23

- screw terminals



Rated voltage 250 V~
Rated current 16 A

Not suitable for fixing clamping ring!
Connection terminals according to IEC 60884-1

- 2pole + earth

Suitable for
Contact protection box Ø 49 mm
Contact protection box 2gang
Contact protection box 3gang

| Order no. | Page |
|-------------|------|
| 918 8 .. | 63 |
| 9 1915 0 .. | 64 |
| 919 33 | 64 |

| Design | Order no. | PU |
|------------------|---------------------|----|
| brown matt | 9 6259 25 01 | 10 |
| anthracite matt | 9 6259 25 05 | 10 |
| grey matt | 9 6259 25 06 | 10 |
| polar white matt | 9 6259 25 02 | 10 |
| black matt | 9 6259 25 03 | 10 |



▶ 196

▶ 196

▶ 196

British Standard socket outlets



Socket outlet with earthing contact BRITISH STANDARD

▶ 196

- enhanced contact protection
- screw terminals



Rated voltage
Rated current

250 V~
13 A

- 2pole + earth

Suitable for
Contact protection box Ø 45 mm
Contact protection box Ø 49 mm
Contact protection box 2gang
Contact protection box 3gang

Order no.
918 20 ..
918 8 ..
9 191 ..
919 33

Page
63
63
64
64

Standard BS 1363


| Design | Order no. | PU |
|------------------|---------------------|-----|
| anthracite matt | 8 6262 25 05 | 200 |
| grey matt | 8 6262 25 06 | 200 |
| polar white matt | 8 6262 25 02 | 200 |
| black matt | 8 6262 05 | 200 |
| brown matt | 9 6262 25 01 | 10 |
| anthracite matt | 9 6262 25 05 | 10 |
| grey matt | 9 6262 25 06 | 10 |
| polar white matt | 9 6262 25 02 | 10 |
| black matt | 9 6262 05 | 10 |



Socket outlets with earthing pin

- for 4-hole screw fitting

Socket outlets with earthing pin and screw terminals

 Marked items are only suitable for splash-protected IP44 installation when used in conjunction with sealing (order no. 918 53), frame with hinged cover and imprint "IP44" and contact protection box.



Socket outlet with earthing pin

▶ 196

- screw terminals



Rated voltage
Rated current

250 V~
16 A

- 2pole + earth

Suitable for
Contact protection box Ø 45 mm
Contact protection box Ø 49 mm
Contact protection box 2gang
Contact protection box 3gang

Order no.
918 20 ..
918 8 ..
9 191 ..
919 33

Page
63
63
64
64

Connection terminals according to IEC 60884-1

Optional
Sealing for IP 44 applications 918 53 78
Frame with hinged cover and imprint "IP44" 8 1828 .. 78

| Design | Order no. | PU |
|------------------|---------------------|-----|
| brown matt | 8 6185 25 01 | 200 |
| anthracite matt | 8 6185 25 05 | 200 |
| polar white matt | 8 6185 25 02 | 200 |
| black matt | 8 6185 05 | 200 |
| brown matt | 9 6185 25 01 | 10 |
| anthracite matt | 9 6185 25 05 | 10 |
| grey matt | 9 6185 25 06 | 10 |
| polar white matt | 9 6185 25 02 | 10 |
| black matt | 9 6185 05 | 10 |





Socket outlet with earthing pin

- enhanced contact protection
- screw terminals



Rated voltage 250 V~
Rated current 16 A

Connection terminals according to IEC 60884-1
Enhanced contact protection according to IEC 60884-1

- 2pole + earth

| Suitable for | Order no. | Page |
|--|-----------|------|
| Contact protection box Ø 45 mm | 918 20 .. | 63 |
| Contact protection box Ø 49 mm | 918 8 .. | 63 |
| Contact protection box 2gang | 9 191 .. | 64 |
| Contact protection box 3gang | 919 33 | 64 |
| Optional | | |
| Sealing for IP 44 applications | 918 53 | 78 |
| Frame with hinged cover and imprint "IP44" | 8 1828 .. | 78 |

| Design | Order no. | PU |
|------------------|---------------------|-----|
| anthracite matt | 8 6195 25 05 | 200 |
| grey matt | 8 6195 25 06 | 200 |
| polar white matt | 8 6195 25 02 | 200 |
| black matt | 8 6195 05 | 200 |
| brown matt | 9 6195 25 01 | 10 |
| anthracite matt | 9 6195 25 05 | 10 |
| grey matt | 9 6195 25 06 | 10 |
| polar white matt | 9 6195 25 02 | 10 |
| black matt | 9 6195 05 | 10 |



Socket outlets with earthing pin and insulation-piercing terminals

- new insulation displacement contact technology: quick and easy connection with the joining tool, order no. 8 1726 25 81
- VDE approval
- up to 2 flexible conductors with a cross section of 2.5 mm² can be connected for each insulation displacement contact; wires do not have to be stripped in advance.
- enables multiple socket outlets to be looped through without breaking the conductors.
- IPT contacts made from copper alloy, tin-plated
- thermoplastic centre plates and bases
- base with snap-on safety cap

Marked items are only suitable for splash-protected IP44 installation when used in conjunction with sealing (order no. 9 1853 01) and frame with hinged cover and imprint "IP44".



Socket outlet with earthing pin

- enhanced contact protection
- insulation-piercing terminals



Rated voltage 250 V~
Rated current 16 A
Conductor cross-section (flexible) 2.5 mm²

Earth bracket clamping forces according to TNO requirements.

Not suitable for contact protection boxes (cavity walls).

Connection terminals according to IEC 60884-1

Enhanced contact protection according to IEC 60884-1

- 2pole + earth

| Suitable for | Order no. | Page |
|---|-----------|------|
| Optional | | |
| Sealing IP44 for socket outlets with insulation displacement contacts | 9 1853 01 | 79 |
| Frame with hinged cover and imprint "IP44" | 8 1828 .. | 78 |

| Design | Order no. | PU |
|------------------|---------------------|-----|
| anthracite matt | 8 6301 25 05 | 200 |
| polar white matt | 8 6301 25 02 | 200 |
| red matt | 8 6301 25 07 | 200 |
| green matt | 8 6301 25 03 | 200 |
| orange matt | 8 6301 25 04 | 200 |





Socket outlet with earthing pin and control LED

▶ 198



- enhanced contact protection
- insulation-piercing terminals



| | |
|------------------------------------|---------------------|
| Rated voltage | 250 V~ |
| Rated current | 16 A |
| LED current | 1 mA |
| Conductor cross-section (flexible) | 2.5 mm ² |

- with green control LED as function light
- 2pole + earth

Suitable for Optional

Frame with hinged cover and imprint "IP44"
Sealing IP44 for socket outlets with insulation displacement contacts

Order no.

Page

from p. 78
79

Earth bracket clamping forces according to TNO requirements.

Not suitable for contact protection boxes (cavity walls).

Connection terminals according to IEC 60884-1

Enhanced contact protection according to IEC 60884-1

| Design | Order no. | PU |
|------------------|---------------------|-----|
| anthracite matt | 8 6301 25 15 | 200 |
| grey matt | 8 6301 25 16 | 200 |
| polar white matt | 8 6301 25 12 | 200 |
| black matt | 8 6301 25 18 | 200 |
| red matt | 8 6301 25 17 | 200 |
| green matt | 8 6301 25 13 | 200 |
| orange matt | 8 6301 25 14 | 200 |



Socket outlet with earthing pin 45°

▶ 198



- enhanced contact protection
- insulation-piercing terminals



| | |
|------------------------------------|---------------------|
| Rated voltage | 250 V~ |
| Rated current | 16 A |
| Conductor cross-section (flexible) | 2.5 mm ² |

- for diagonal installation
- 2pole + earth

Suitable for Optional

Sealing IP44 for socket outlets with insulation displacement contacts
Frame with hinged cover and imprint "IP44"

Order no.

Page

9 1853 01
8 1828 ..

79
78

Earth bracket clamping forces according to TNO requirements.

Not suitable for contact protection boxes (cavity walls).

Connection terminals according to IEC 60884-1

Enhanced contact protection according to IEC 60884-1

| Design | Order no. | PU |
|------------------|---------------------|-----|
| anthracite matt | 8 6351 25 05 | 200 |
| polar white matt | 8 6351 25 02 | 200 |
| red matt | 8 6351 25 07 | 200 |
| green matt | 8 6351 25 03 | 200 |
| orange matt | 8 6351 25 04 | 200 |

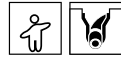




Socket outlet with earthing pin 45° and control LED

▶ 198

- enhanced contact protection
- insulation-piercing terminals



| | |
|------------------------------------|---------------------|
| Rated voltage | 250 V~ |
| Rated current | 16 A |
| LED current | 1 mA |
| Conductor cross-section (flexible) | 2.5 mm ² |

- with green control LED as function light
- for diagonal installation
- 2pole + earth

| Suitable for | Order no. | Page |
|---|-----------|------------|
| Optional | | |
| Frame with hinged cover and imprint "IP44" | | from p. 78 |
| Sealing IP44 for socket outlets with insulation displacement contacts | 9 1853 01 | 79 |

Earth bracket clamping forces according to TNO requirements.

Not suitable for contact protection boxes (cavity walls).

Connection terminals according to IEC 60884-1

Enhanced contact protection according to IEC 60884-1

| Design | Order no. | PU |
|------------------|---------------------|-----|
| anthracite matt | 8 6351 25 15 | 200 |
| grey matt | 8 6351 25 16 | 200 |
| polar white matt | 8 6351 25 12 | 200 |
| black matt | 8 6351 25 18 | 200 |
| red matt | 8 6351 25 17 | 200 |
| green matt | 8 6351 25 13 | 200 |
| orange matt | 8 6351 25 14 | 200 |



Socket outlets without earthing contact

- for 4-hole screw fitting

Dutch socket outlets



Socket outlet without earth contact NETHERLANDS

▶ 196

- enhanced contact protection
- screw terminals



| | |
|---------------|---------|
| Rated voltage | 250 V~ |
| Rated current | 16 A |
| Mirror depth | 14.5 mm |

- 2pole

| Suitable for | Order no. | Page |
|--------------------------------|-----------|------|
| Contact protection box Ø 45 mm | 091 82 .. | 63 |
| Contact protection box Ø 49 mm | 091 88 .. | 63 |
| Contact protection box 2gang | 0 9191 .. | 64 |
| Contact protection box 3gang | 919 33 | 64 |

Connection terminals according to IEC 60884-1

Enhanced contact protection according to IEC 60884-1

| Design | Order no. | PU |
|------------------|---------------------|----|
| anthracite matt | 9 6194 25 05 | 10 |
| grey matt | 9 6194 25 06 | 10 |
| polar white matt | 9 6194 25 02 | 10 |
| black matt | 9 6194 05 | 10 |



Euro-American Standard socket outlets



Socket outlet without earth contact EURO-AMERICAN STANDARD

▶ 196

- enhanced contact protection
- screw terminals



Rated voltage 250 V~
Rated current 10 A

- 2pole

Suitable for

Contact protection box Ø 45 mm
Contact protection box Ø 49 mm
Contact protection box 2gang
Contact protection box 3gang

Order no.

918 20 ..
918 8 ..
9 191 ..
919 33

Page

63
63
64
64

Not suitable for SCHUKO plug according to DIN 49441.

Standard GB 1002

Connection terminals according to IEC 60884-1

Enhanced contact protection according to IEC 60884-1

| Design | Order no. | PU |
|------------------|---------------------|-----|
| anthracite matt | 8 6257 25 05 | 200 |
| polar white matt | 8 6257 25 02 | 200 |
| brown matt | 9 6257 25 01 | 10 |
| anthracite matt | 9 6257 25 05 | 10 |
| grey matt | 9 6257 25 06 | 10 |
| polar white matt | 9 6257 25 02 | 10 |
| black matt | 9 6257 25 03 | 10 |



Connecting devices 12 V



Socket outlet 12 V

Operating voltage 12 ... 24 V
Rated current max. 16 A
Flat connector size (plug width x plug thickness) 6.3 x 0.8 mm
Installation depth (without cable lug) 30 mm

- with fast-on terminal connection

Suitable for

Contact protection box Ø 45 mm
Contact protection box Ø 49 mm
Contact protection box 2gang
Contact protection box 3gang
Plug 12 V

Order no.

918 20 ..
918 8 ..
9 191 ..
919 33
4637

Page

63
63
64
64
66

Note:

When using 12 V connector (order no. 4637), observe max. rated current of 8 A.

DIN EN ISO 4165

| Design | Order no. | PU |
|--------------------|---------------------|-----|
| brown matt | 8 4517 25 01 | 200 |
| anthracite matt | 8 4517 25 05 | 200 |
| grey glossy | 8 4517 25 07 | 200 |
| polar white glossy | 8 4517 25 09 | 200 |
| black matt | 8 4517 05 | 200 |
| brown matt | 9 4517 25 01 | 10 |
| anthracite matt | 9 4517 25 05 | 10 |
| grey glossy | 9 4517 25 07 | 10 |
| polar white glossy | 9 4517 25 09 | 10 |
| black matt | 9 4517 05 | 10 |





Power socket outlet 12 V

| | | |
|--|--------------|------------------------------------|
| Operating voltage | 12 ... 24 V | – with fast-on terminal connection |
| Rated current for 1.5 mm ² | max. 15 A | |
| Rated current for 2.5 mm ² | max. 20 A | |
| Flat connector size (plug width x plug thickness) | 6.3 x 0.8 mm | |
| Installation depth (without cable lug) | 46 mm | |

Not suitable for installation in surface-mounted housing.
Not suitable for contact protection boxes (cavity walls).
Compliant with SAE J563 (Feb. 2009), VW Standard TL82285 (Apr. 2007)

| Design | Order no. | PU |
|--------------------|---------------------|-----|
| brown matt | 8 4571 25 01 | 200 |
| anthracite matt | 8 4571 25 05 | 200 |
| grey glossy | 8 4571 25 07 | 200 |
| polar white glossy | 8 4571 25 09 | 200 |
| black matt | 8 4571 25 03 | 200 |
| | | |
| brown matt | 9 4571 25 01 | 10 |
| anthracite matt | 9 4571 25 05 | 10 |
| grey glossy | 9 4571 25 07 | 10 |
| polar white glossy | 9 4571 25 09 | 10 |



Power socket outlet 12 V, with imprint 20 A for motor vehicles

| | | |
|--|--------------|------------------------------------|
| Operating voltage | 12 ... 24 V | – with fast-on terminal connection |
| Rated current for 1.5 mm ² | max. 15 A | |
| Rated current for 2.5 mm ² | max. 20 A | |
| Flat connector size (plug width x plug thickness) | 6.3 x 0.8 mm | |
| Installation depth (without cable lug) | 46 mm | |

Not suitable for contact protection boxes (cavity walls).

The power supply must be ordered separately.

| Design | Order no. | PU |
|-----------------|---------------------|----|
| anthracite matt | 9 4570 25 05 | 10 |



Power socket outlet 12 V, with imprint 10 A for motor vehicles

| | | |
|--|--------------|------------------------------------|
| Operating voltage | 12 ... 24 V | – with fast-on terminal connection |
| Rated current | max. 10 A | |
| Flat connector size (plug width x plug thickness) | 6.3 x 0.8 mm | |
| Installation depth (without cable lug) | 46 mm | |

Not suitable for contact protection boxes (cavity walls).

The power supply must be ordered separately.

| Design | Order no. | PU |
|-----------------|---------------------|----|
| anthracite matt | 9 4570 25 15 | 10 |





Socket outlet 12 V + SAT

| | | |
|--|-----------|------------------------------------|
| Operating voltage | 12 V= | – with double F-socket |
| Rated current | max. 10 A | – with fast-on terminal connection |
| Installation depth (without cable lug) | 28 mm | |

Not suitable for frames with hinged covers.
For reception of satellite TV signals and simultaneous power supply of appropriate TV devices.

| Design | Order no. | PU |
|------------------|---------------------|-----|
| brown matt | 8 4572 25 01 | 200 |
| anthracite matt | 8 4572 25 05 | 200 |
| polar white matt | 8 4572 25 02 | 200 |
| black matt | 8 4572 25 03 | 200 |
| brown matt | 9 4572 25 01 | 10 |
| anthracite matt | 9 4572 25 05 | 10 |
| polar white matt | 9 4572 25 02 | 10 |
| black matt | 9 4572 25 03 | 10 |



Socket outlet 12 V + TV

| | | |
|--|-----------|--|
| Operating voltage | 12 V= | – with IEC jack (male), connection in F system on the rear |
| Rated current | max. 10 A | – with fast-on terminal connection |
| Installation depth (without cable lug) | 28 mm | |

For reception of terrestrial or wire-connected TV signals with simultaneous power supply of appropriate devices.
Not suitable for frames with hinged covers.

| Design | Order no. | PU |
|------------------|-----------------------|----|
| anthracite matt | 9 4573 25 05 | 10 |
| polar white matt | × 9 4573 25 02 | 10 |



Socket outlet 12 V + Radio

| | | |
|--|-----------|--|
| Operating voltage | 12 V= | – with IEC jack (female), connection in F system on the rear |
| Rated current | max. 10 A | – with fast-on terminal connection |
| Installation depth (without cable lug) | 28 mm | |

For reception of terrestrial or wire-connected radio signals with simultaneous power supply of appropriate devices.

In some countries, this insert can also be used for TV reception.

Not suitable for frames with hinged covers.

| Design | Order no. | PU |
|------------------|-----------------------|----|
| anthracite matt | 9 4574 25 05 | 10 |
| polar white matt | × 9 4574 25 02 | 10 |



USB charging sockets

- for charging mobile end devices via USB cable
- short-circuit and overload proof (electronic fuse)

USB charging socket 2gang 230 V, A+A

- screw terminals

- with 2 USB sockets type A



| | |
|--|--------------------------|
| Input voltage | 230 V~ (-15%/+10%) |
| Frequency | 50/60 Hz |
| Output voltage | 5 V= (± 5 %) |
| Output current per socket | max. 3 A |
| Output current when operating both sockets (total) | max. 3 A |
| Power consumption (standby) | < 150 mW |
| Conductor cross-section (rigid) | max. 2.5 mm ² |
| Installation depth | 31 mm |

| Suitable for | Order no. | Page |
|--------------------------------|-------------|------|
| Contact protection box Ø 49 mm | 918 8 .. | 63 |
| Contact protection box 2gang | 9 1915 0 .. | 64 |
| Contact protection box 3gang | 919 33 | 64 |

No data transmission possible!
DIN EN 62680-3



| Design | Order no. | PU |
|------------------|---------------------|----|
| anthracite matt | 9 2610 25 05 | 1 |
| polar white matt | 9 2610 25 09 | 1 |

New

USB charging socket 2gang 230 V, A+C

- screw terminals

- with 1 USB socket type A and 1 USB socket type C



| | |
|--|--------------------------|
| Input voltage | 230 V~ (-15%/+10%) |
| Frequency | 50/60 Hz |
| Output voltage | 5 V= (± 5 %) |
| Output current per socket | max. 3 A |
| Output current when operating both sockets (total) | max. 3 A |
| Power consumption (standby) | < 150 mW |
| Conductor cross-section (rigid) | max. 2.5 mm ² |
| Installation depth | 31 mm |

| Suitable for | Order no. | Page |
|--------------------------------|-------------|------|
| Contact protection box Ø 49 mm | 918 8 .. | 63 |
| Contact protection box 2gang | 9 1915 0 .. | 64 |
| Contact protection box 3gang | 919 33 | 64 |

No data transmission possible!
DIN EN 62680-3



| Design | Order no. | PU |
|------------------|-----------------------|----|
| anthracite matt | ★ 9 2620 25 05 | 1 |
| polar white matt | ★ 9 2620 25 09 | 1 |



12 V USB charging socket outlet

| | | | | |
|--------------------------------|--------------------------------|---|------------------|-------------|
| Input voltage | 8 ... 34 V= | – with USB socket type A | | |
| Output voltage | 5 V= (± 5 %) | – pre-assembled with connecting cables (red, black), length approx. 15 cm | | |
| Output current | max. 3 A | | | |
| Power consumption (standby) | < 100 mW | | | |
| Installation depth | 32 mm | | | |
| No data transmission possible! | | | | |
| | Suitable for | | Order no. | Page |
| | Contact protection box Ø 49 mm | | 918 8 .. | 63 |
| | Contact protection box 2gang | | 9 1915 0 .. | 64 |
| | Contact protection box 3gang | | 919 33 | 64 |

| Design | Order no. | PU |
|----------------------------------|---------------------|-----|
| brown matt, insert black | 8 2603 25 01 | 200 |
| anthracite matt, insert black | 8 2603 25 05 | 200 |
| grey glossy, insert black | 8 2603 25 07 | 200 |
| polar white glossy, insert black | 8 2603 25 09 | 200 |
| black matt, insert black | 8 2603 25 03 | 200 |
| | | |
| brown matt, insert black | 9 2603 25 01 | 10 |
| anthracite matt, insert black | 9 2603 25 05 | 10 |
| grey glossy, insert black | 9 2603 25 07 | 10 |
| polar white glossy, insert black | 9 2603 25 09 | 10 |
| black matt, insert black | 9 2603 25 03 | 10 |



12 V USB charging socket outlet 2gang

| | | | | |
|--|--------------------------------|---|------------------|-------------|
| Input voltage | 8 ... 34 V= | – with 2 USB sockets type | | |
| Output voltage | 5 V= (± 5 %) | – pre-assembled with connecting cables (red, black), length approx. 15 cm | | |
| Output current | max. per socket 2.5 A | | | |
| Output current when operating both sockets (total) | max. 5 A | | | |
| Power consumption (standby) | < 100 mW | | | |
| Installation depth | 32 mm | | | |
| No data transmission possible! | | | | |
| | Suitable for | | Order no. | Page |
| | Contact protection box Ø 49 mm | | 918 8 .. | 63 |
| | Contact protection box 2gang | | 9 1915 0 .. | 64 |
| | Contact protection box 3gang | | 919 33 | 64 |

| Design | Order no. | PU |
|----------------------------------|---------------------|-----|
| brown matt, insert black | 8 2602 25 01 | 200 |
| anthracite matt, insert black | 8 2602 25 05 | 200 |
| grey glossy, insert black | 8 2602 25 07 | 200 |
| polar white glossy, insert black | 8 2602 25 09 | 200 |
| black matt, insert black | 8 2602 25 03 | 200 |
| | | |
| brown matt, insert black | 9 2602 25 01 | 10 |
| anthracite matt, insert black | 9 2602 25 05 | 10 |
| grey glossy, insert black | 9 2602 25 07 | 10 |
| polar white glossy, insert black | 9 2602 25 09 | 10 |
| black matt, insert black | 9 2602 25 03 | 10 |



TV/multimedia

Aerial sockets



Aerial connector box TV

| | | | | |
|-----------|---------------------------|--|------------------|-------------|
| DIN 45325 | – with IEC jack (male) | | | |
| | – for soldered connection | | | |
| | Suitable for | | Order no. | Page |
| | Frame with hinged cover | | 9 1828 .. | 76 |

| Design | Order no. | PU |
|------------------|---------------------|----|
| brown matt | 9 4511 25 11 | 10 |
| anthracite matt | 9 4511 25 15 | 10 |
| polar white matt | 9 4511 25 12 | 10 |
| black matt | 9 4511 15 | 10 |





Aerial connector box TV

Not suitable for frames with hinged covers.
DIN 45325

- with IEC jack (male)
- connection in F system on the rear

| Design | Order no. | PU |
|------------------|---------------------|----|
| brown matt | 9 4581 25 01 | 10 |
| anthracite matt | 9 4581 25 05 | 10 |
| grey matt | 9 4581 25 06 | 10 |
| polar white matt | 9 4581 25 02 | 10 |
| black matt | 9 4581 25 03 | 10 |



Aerial connector box radio

Not suitable for frames with hinged covers.

- with IEC jack (female)
- connection in F system on the rear

| Design | Order no. | PU |
|-----------------|---------------------|----|
| anthracite matt | 9 4562 25 05 | 10 |



Aerial connector box SAT

Not suitable for frames with hinged covers.

- with double F-socket

| Design | Order no. | PU |
|------------------|---------------------|-----|
| anthracite matt | 8 4519 25 05 | 200 |
| polar white matt | 8 4519 25 02 | 200 |
| brown matt | 9 4519 25 01 | 10 |
| anthracite matt | 9 4519 25 05 | 10 |
| grey matt | 9 4519 25 06 | 10 |
| polar white matt | 9 4519 25 02 | 10 |
| black matt | 9 4519 05 | 10 |



Aerial connector box radio/SAT

Not suitable for frames with hinged covers.

- with IEC and F socket
- connection in F system on the rear

| Design | Order no. | PU |
|------------------|---------------------|----|
| brown matt | 9 4560 25 01 | 10 |
| anthracite matt | 9 4560 25 05 | 10 |
| grey matt | 9 4560 25 06 | 10 |
| polar white matt | 9 4560 25 02 | 10 |
| black matt | 9 4560 05 | 10 |



Aerial connector box radio/TV

Not suitable for frames with hinged covers.

- with IEC jacks (male/female)
- connection in F system on the rear

| Design | Order no. | PU |
|------------------|---------------------|----|
| polar white matt | 9 4561 25 02 | 10 |





Aerial connector box TV/SAT

Not suitable for frames with hinged covers.

- with IEC and F socket
- connection in F system on the rear



| Design | Order no. | PU |
|------------|---------------------|-----|
| grey matt | 8 4563 25 06 | 200 |
| black matt | 8 4563 25 03 | 200 |

Multimedia outlets



USB/3.5 mm audio socket outlet

Frequency range audio 20 ... 20000 Hz - double jack gold-plated 3.5 mm, stereo
 USB transmission rate max. 480 Mbit/s - reverse-compatible to USB 2.0

For connecting mobile devices, such as mobile phones or MP3 players (mini audio), digital cameras and computer peripherals (USB 2.0).

Observe the instructions of the cable and device manufacturers for maximum USB cable lengths!



| Design | Order no. | PU |
|------------------|---------------------|-----|
| brown matt | 8 4583 25 01 | 200 |
| anthracite matt | 8 4583 25 05 | 200 |
| grey matt | 8 4583 25 06 | 200 |
| polar white matt | 8 4583 25 02 | 200 |
| black matt | 8 4583 25 03 | 200 |
| brown matt | 9 4583 25 01 | 10 |
| anthracite matt | 9 4583 25 05 | 10 |
| grey matt | 9 4583 25 06 | 10 |
| polar white matt | 9 4583 25 02 | 10 |
| black matt | 9 4583 25 03 | 10 |



High definition socket outlet

Resolution max. 1920 x 1080 px - with HDMI™ double jack type A, supports HDMI™ technology (V 1.3 with Deep Color)
 Transmission rate max. 8.16 GBit/s - 19pole
 Video bandwidth max. 165 MHz - gold-plated contacts
 Frequency range (vertical) 50 ... 85 Hz

For the connection of digital devices for transmission of high-resolution audio and video signals, such as satellite receivers and DVD players, to LCD or LED screens.

Comply with the instructions of the cable and device manufacturers as to the maximum HDMI cable length.



| Design | Order no. | PU |
|------------------|---------------------|-----|
| brown matt | 8 4582 25 01 | 200 |
| anthracite matt | 8 4582 25 05 | 200 |
| grey matt | 8 4582 25 06 | 200 |
| polar white matt | 8 4582 25 02 | 200 |
| black matt | 8 4582 25 03 | 200 |
| brown matt | 9 4582 25 01 | 10 |
| anthracite matt | 9 4582 25 05 | 10 |
| grey matt | 9 4582 25 06 | 10 |
| polar white matt | 9 4582 25 02 | 10 |
| black matt | 9 4582 25 03 | 10 |



Cinch socket outlet 3-gang

Not suitable for frames with hinged covers.

- 1 cinch double jack for video connection (yellow)
- 2 cinch double jacks for audio connection (red, white)

| Design | Order no. | PU |
|------------------|---------------------|-----|
| brown matt | 8 4580 25 01 | 200 |
| anthracite matt | 8 4580 25 05 | 200 |
| grey matt | 8 4580 25 07 | 200 |
| polar white matt | 8 4580 25 09 | 200 |
| black matt | 8 4580 25 03 | 200 |



Audio/video modules



Cinch module set audio

Conductor Ø 0.5 ... 0.65 mm (AWG 24-22)
Dimensions, per module (W x H x D) 15 x 18 x 35 mm

- with 2 Cinch sockets and module carriers
- with tool free cutting terminals

| Suitable for | Order no. | Page |
|--|-----------|------|
| Double supporting plate for MINI-COM modules | 9 4559 .. | 52 |

▶ 197



| Design | Order no. | PU |
|-----------------|-------------|----|
| polar white/red | 1989 | 1 |



Cinch module video

Conductor Ø 0.5 ... 0.65 mm (AWG 24-22)
Dimensions (W x H x D) 15 x 18 x 35 mm

- with cinch socket and module carrier
- with tool free cutting terminals

| Suitable for | Order no. | Page |
|--|-----------|------|
| Double supporting plate for MINI-COM modules | 9 4559 .. | 52 |

▶ 197



| Design | Order no. | PU |
|--------------------|-------------|----|
| polar white/yellow | 1992 | 1 |



VGA module

Conductor cross-section 1.5 mm²
Dimensions (W x H x D) 31 x 18 x 35 mm

- with a 15pole D-subminiature socket
- occupies 2 MINI-COM module spaces in the cover
- SVGA compatible
- with screw-in lift terminals

| Suitable for | Order no. | Page |
|--|-----------|------|
| Double supporting plate for MINI-COM modules | 9 4559 .. | 52 |

▶ 197



| Design | Order no. | PU |
|-------------------|-------------|----|
| polar white/black | 1994 | 1 |



S-Video module

Conductor Ø 0.5 ... 0.65 mm (AWG 24-22)
Dimensions (W x H x D) 15 x 18 x 35 mm

- with S-Video and module carrier
- with tool free cutting terminals

| Suitable for | Order no. | Page |
|--|-----------|------|
| Double supporting plate for MINI-COM modules | 9 4559 .. | 52 |

▶ 199



| Design | Order no. | PU |
|-------------------|-------------|----|
| polar white/black | 1993 | 1 |



Blank module

Dimensions (W x H x D)

15 x 18 x 35 mm

Suitable for

Double supporting plate for MINI-COM modules

Order no.

9 4559 ..

Page

52

Design

polar white

Order no.

1990

PU

1

Data communication

Supporting plates for modular jacks



Double supporting plate for MINI-COM modules

Not suitable for frames with hinged covers.

- for Mini-Com 3.5 mm stereo connection/coupling modules
- for Mini-Com BNC connector modules
- for Mini-Com Cinch connection/coupling modules
- for Mini-Com D-Subminiature connectors 15pole
- for Mini-Com F-plug coupling modules
- for Mini-Com speaker wire/banana plug modules
- for Mini-Com S-Video connection/coupling modules
- for Mini-Com jacks cat.3, cat.5e, cat.6, cat.6 10Gig
- for Mini-Com fibre-optic modules
- for Mini-Com dummy modules 1gang
- with 30° oblique outlet

Suitable for

Audio/video modules
Modular Jacks

Order no.

Page

from p. 51
from p. 53

Manufacturer product line

Art. no.

Mini-Com modules

Panduit

Design

anthracite glossy

grey glossy

polar white glossy

black glossy

Order no.

9 4559 25 05

9 4559 25 07

9 4559 25 09

9 4559 05

PU

10

10

10

10



Supporting plate 1gang for AMP modular jacks

Indexing dimension (W x H)

≈ 14.9 x 20.7 mm

Not suitable for frames with hinged covers.

- for AMP modular jacks series 110 Connect, cat.3, cat.5, cat.5e and cat.6

Manufacturer product line

Art. no.

EMT modular jack

AMP

Standard 110 Connect jack

AMP

MT-RJ jack

AMP

Intracom

Telena

Modular jacks

Brand-Rex

CobiNet

EFB Electronic

Schumann

SL series toolless jack

AMP

Design

anthracite glossy

grey glossy

polar white glossy

black glossy

Order no.

9 4557 25 05

9 4557 25 07

9 4557 25 09

9 4557 05

PU

10

10

10

10



Supporting plate 2gang for BTR-/E-DAT modules

Not suitable for frames with hinged covers.

- for 130898-00-I BTR blank module
- for 130898-01-I BTR coax module F/F
- for 130898-02-I BTR coax module F/IEC socket
- for 130898-03-I BTR coax module F/IEC connector
- for 130908-I BTR FCC module Cat.5e 8(8)
- for 130909-I BTR FCC module Cat.6 8(8)
- for 130910-I BTR E-Dat module Cat.6a 8(8)
- for 1309A0-I BTR E-Dat module coupling 8(8) Cat.6
- for 15091001-I BTR Op-Dat module ST
- for 15091070-I BTR Op-Dat module LC
- for 15091071-I BTR Op-Dat module LC
- for 185700 Dätwyler Unilan socket module MS 1/8 Cat.6
- for 185750 Dätwyler Unilan socket module MU 1/8 Cat.6
- for 417446 Dätwyler Unilan RJ45 feed-through coupling
- with 25° oblique outlet

Manufacturer product line **Art. no.**
Modules
BTR NETCOM

| Design | Order no. | PU |
|--------------------|---------------------|-----|
| anthracite glossy | 8 4558 25 05 | 100 |
| grey glossy | 8 4558 25 07 | 100 |
| polar white glossy | 8 4558 25 09 | 100 |
| black glossy | 8 4558 25 10 | 100 |

Modular Jacks



Mini jack, 8-pole

Colour code A and B according to TIA/EIA-568-B.2


- with cutting terminals

Suitable for **Order no.** **Page**
Double supporting plate for MINI-COM modules 9 4559 .. 52

| Design | Order no. | PU |
|---|-------------|----|
| black, RJ45, cat.3, ISDN-compatible (AWG 24-22) | 1980 | 1 |
| aluminium, RJ45, cat.5e, shielded (AWG 24-22) | 1984 | 1 |
| aluminium, RJ45, cat.6, shielded (AWG 26) | 1985 | 1 |



Rocker switch

 Marked items are only suitable for splash-protected IP44 installation when used in conjunction with sealing (order no. 918 53), frame with hinged cover and imprint "IP44" and contact protection box.



 **On/off switch**

Rated voltage
Switching current
Power, LED

250 V~ – with screw terminals
10 AX
max. 100 W

Suitable for
Contact protection box Ø 45 mm, flat
Contact protection box Ø 45 mm
Contact protection box Ø 49 mm
Contact protection box 2gang
Contact protection box 3gang
Optional
Sealing for IP 44 applications
Frame with imprint "IP44"

Order no.
9 1820 0 ..
918 20 ..
918 8 ..
9 191 ..
919 33
918 53
9 1827 ..

Page
63
63
63
64
64
78
77

▶ 197

Design

Order no.

PU

Berker integro - design flow | pure

| | | |
|--------------------|---------------------|-----|
| brown matt | 8 3651 25 01 | 200 |
| anthracite matt | 8 3651 25 05 | 200 |
| grey glossy | 8 3651 25 07 | 200 |
| polar white glossy | 8 3651 25 09 | 200 |

| | | |
|-------------------------------------|---------------------|----|
| brown matt | 9 3651 25 01 | 10 |
| anthracite matt | 9 3651 25 05 | 10 |
| grey glossy | 9 3651 25 07 | 10 |
| polar white glossy | 9 3651 25 09 | 10 |
| black glossy | 9 3651 25 10 | 10 |
| granite black, silk matt, lacquered | 9 3651 25 45 | 10 |
| chrome glossy, galvanised | 9 3651 25 18 | 10 |
| chrome matt, galvanised | 9 3651 25 28 | 10 |
| chrome matt, lacquered | 9 3651 25 68 | 10 |
| stainless steel matt, lacquered | 9 3651 25 24 | 10 |

Berker integro - design classic

| | | |
|--------------------|------------------|-----|
| polar white glossy | 8 3651 09 | 200 |
| black matt | 8 3651 05 | 200 |

| | | |
|-------------------------------------|------------------|----|
| grey glossy | 9 3651 07 | 10 |
| polar white glossy | 9 3651 09 | 10 |
| black matt | 9 3651 05 | 10 |
| granite black, silk matt, lacquered | 9 3651 45 | 10 |
| chrome glossy, galvanised | 9 3651 18 | 10 |
| chrome matt, galvanised | 9 3651 28 | 10 |
| gold glossy, galvanised | 9 3651 38 | 10 |





Change-over switch

Rated voltage 250 V~
Switching current 10 AX
Power, LED max. 100 W

– with screw terminals

▶ 197

| Suitable for | Order no. | Page |
|--------------------------------------|-------------|------|
| Contact protection box Ø 45 mm, flat | 9 1820 0 .. | 63 |
| Contact protection box Ø 45 mm | 918 20 .. | 63 |
| Contact protection box Ø 49 mm | 918 8 .. | 63 |
| Contact protection box 2gang | 9 191 .. | 64 |
| Contact protection box 3gang | 919 33 | 64 |
| Optional | | |
| Sealing for IP 44 applications | 918 53 | 78 |
| Frame with imprint "IP44" | 9 1827 .. | 77 |
| Design | Order no. | PU |

Berker integro - design flow | pure

| | | |
|-------------------------------------|---------------------|-----|
| anthracite matt | 8 3656 25 05 | 200 |
| grey glossy | 8 3656 25 07 | 200 |
| polar white glossy | 8 3656 25 09 | 200 |
| brown matt | 9 3656 25 01 | 10 |
| anthracite matt | 9 3656 25 05 | 10 |
| grey glossy | 9 3656 25 07 | 10 |
| polar white glossy | 9 3656 25 09 | 10 |
| black glossy | 9 3656 25 10 | 10 |
| granite black, silk matt, lacquered | 9 3656 25 45 | 10 |
| chrome glossy, galvanised | 9 3656 25 18 | 10 |
| chrome matt, galvanised | 9 3656 25 28 | 10 |
| chrome matt, lacquered | 9 3656 25 68 | 10 |
| stainless steel matt, lacquered | 9 3656 25 24 | 10 |
| gold glossy, galvanised | 9 3656 25 38 | 10 |

Berker integro - design classic

| | | |
|-------------------------------------|------------------|-----|
| polar white glossy | 8 3656 09 | 200 |
| grey glossy | 9 3656 07 | 10 |
| polar white glossy | 9 3656 09 | 10 |
| black matt | 9 3656 05 | 10 |
| granite black, silk matt, lacquered | 9 3656 45 | 10 |
| chrome glossy, galvanised | 9 3656 18 | 10 |
| chrome matt, galvanised | 9 3656 28 | 10 |



Intermediate switch

Rated voltage 250 V~
Switching current 10 AX
Power, LED max. 100 W

– with screw terminals

▶ 197

Currently not available!

| Suitable for | Order no. | Page |
|--------------------------------------|-------------|------|
| Contact protection box Ø 45 mm, flat | 9 1820 0 .. | 63 |
| Contact protection box Ø 45 mm | 918 20 .. | 63 |
| Contact protection box Ø 49 mm | 918 8 .. | 63 |
| Contact protection box 2gang | 9 191 .. | 64 |
| Contact protection box 3gang | 919 33 | 64 |
| Optional | | |
| Sealing for IP 44 applications | 918 53 | 78 |
| Frame with imprint "IP44" | 9 1827 .. | 77 |
| Design | Order no. | PU |

Berker integro - design flow | pure



| | | |
|---------------------------------|---------------------|----|
| brown matt | 9 3657 25 01 | 10 |
| anthracite matt | 9 3657 25 05 | 10 |
| grey glossy | 9 3657 25 07 | 10 |
| polar white glossy | 9 3657 25 09 | 10 |
| black glossy | 9 3657 25 10 | 10 |
| chrome matt, galvanised | 9 3657 25 28 | 10 |
| chrome matt, lacquered | 9 3657 25 68 | 10 |
| stainless steel matt, lacquered | 9 3657 25 24 | 10 |

Berker integro - design classic

| | | |
|--------------------|------------------|----|
| polar white glossy | 9 3657 09 | 10 |
|--------------------|------------------|----|



|  | | On/off switch 2pole with imprint "0" | | | | ▶ 197 |
|---|------------|---|--|------------------|--|-------------|
| Rated voltage | 250 V~ | – with screw terminals | | | | |
| Switching current | 10 AX | | | | | |
| Power, LED | max. 100 W | | | | | |
| | | Suitable for | | Order no. | | Page |
| | | Contact protection box Ø 45 mm, flat | | 9 1820 0 .. | | 63 |
| | | Contact protection box Ø 45 mm | | 918 20 .. | | 63 |
| | | Contact protection box Ø 49 mm | | 918 8 .. | | 63 |
| | | Contact protection box 2gang | | 9 191 .. | | 64 |
| | | Contact protection box 3gang | | 919 33 | | 64 |
| | | Optional | | | | |
| | | Sealing for IP 44 applications | | 918 53 | | 78 |
| | | Frame with imprint "IP44" | | 9 1827 .. | | 77 |
| Design | | Order no. | | | | PU |
| Berker integro - design flow pure | | | | | | |
| polar white glossy | | 8 3652 25 09 | | | | 200 |
| brown matt | | 9 3652 25 01 | | | | 10 |
| anthracite matt | | 9 3652 25 05 | | | | 10 |
| grey glossy | | 9 3652 25 07 | | | | 10 |
| polar white glossy | | 9 3652 25 09 | | | | 10 |
| black glossy | | 9 3652 25 10 | | | | 10 |
| granite black, silk matt, lacquered | | 9 3652 25 45 | | | | 10 |
| chrome glossy, galvanised | | 9 3652 25 18 | | | | 10 |
| chrome matt, galvanised | | 9 3652 25 28 | | | | 10 |
| chrome matt, lacquered | | 9 3652 25 68 | | | | 10 |
| stainless steel matt, lacquered | | 9 3652 25 24 | | | | 10 |
| Berker integro - design classic | | | | | | |
| grey glossy | | 9 3652 07 | | | | 10 |
| polar white glossy | | 9 3652 09 | | | | 10 |
| black matt | | 9 3652 05 | | | | 10 |
| granite black, silk matt, lacquered | | 9 3652 45 | | | | 10 |
| chrome matt, galvanised | | 9 3652 28 | | | | 10 |

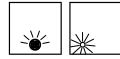
|  | | Control on/off switch 2pole with imprint "0" | | | | ▶ 197 |
|---|------------|---|--|------------------|--|-------------|
| | | - red lens | | | | |
| | |  | | | | |
| Rated voltage | 250 V~ | – for illumination and monitoring circuit | | | | |
| Switching current | 10 AX | – with integrated neon lamp | | | | |
| Neon lamp current | 0.9 mA | – with screw terminals | | | | |
| Power, LED | max. 100 W | | | | | |
| | | Suitable for | | Order no. | | Page |
| | | Contact protection box Ø 45 mm, flat | | 9 1820 0 .. | | 63 |
| | | Contact protection box Ø 45 mm | | 918 20 .. | | 63 |
| | | Contact protection box Ø 49 mm | | 918 8 .. | | 63 |
| | | Contact protection box 2gang | | 9 191 .. | | 64 |
| | | Contact protection box 3gang | | 919 33 | | 64 |
| | | Optional | | | | |
| | | Sealing for IP 44 applications | | 918 53 | | 78 |
| | | Frame with imprint "IP44" | | 9 1827 .. | | 77 |
| Design | | Order no. | | | | PU |
| Berker integro - design flow pure | | | | | | |
| anthracite matt | | 8 3752 25 05 | | | | 200 |
| chrome glossy, galvanised | | 8 3752 25 18 | | | | 50 |
| brown matt | | 9 3752 25 01 | | | | 10 |
| anthracite matt | | 9 3752 25 05 | | | | 10 |
| grey glossy | | 9 3752 25 07 | | | | 10 |
| polar white glossy | | 9 3752 25 09 | | | | 10 |
| black glossy | | 9 3752 25 10 | | | | 10 |
| chrome matt, lacquered | | 9 3752 25 68 | | | | 10 |
| stainless steel matt, lacquered | | 9 3752 25 24 | | | | 10 |
| Berker integro - design classic | | | | | | |
| black matt | | 8 3752 05 | | | | 200 |
| black matt | | 9 3752 05 | | | | 10 |
| grey glossy | | 9 3752 07 | | | | 10 |
| polar white glossy | | 9 3752 09 | | | | 10 |



Control on/off switch 2pole with imprint "0", 12 V

▶ 197

- red lens
- control LED



| | |
|-------------------|-------|
| Rated voltage | 12 V= |
| Switching current | 5 A |
| LED current | 10 mA |

- for illumination and monitoring circuit
- with integral indicator LED
- with screw terminals

| Suitable for | Order no. | Page |
|--------------------------------------|-------------|------|
| Contact protection box Ø 45 mm, flat | 9 1820 0 .. | 63 |
| Contact protection box Ø 45 mm | 918 20 .. | 63 |
| Contact protection box Ø 49 mm | 918 8 .. | 63 |
| Contact protection box 2gang | 9 191 .. | 64 |
| Contact protection box 3gang | 919 33 | 64 |
| Optional | | |
| Sealing for IP 44 applications | 918 53 | 78 |
| Frame with imprint "IP44" | 9 1827 .. | 77 |

| | | |
|--------|-----------|----|
| Design | Order no. | PU |
|--------|-----------|----|

Berker integro - design flow | pure

| | | |
|---------------------------------|---------------------|----|
| brown matt | 9 3762 25 31 | 10 |
| anthracite matt | 9 3762 25 35 | 10 |
| polar white glossy | 9 3762 25 39 | 10 |
| black glossy | 9 3762 25 10 | 10 |
| chrome glossy, galvanised | 9 3762 25 18 | 10 |
| chrome matt, lacquered | 9 3762 25 68 | 10 |
| stainless steel matt, lacquered | 9 3762 25 24 | 10 |



Multiple rocker switches



Series switch, common input terminal

▶ 197

| | | |
|-------------------|------------|------------------------|
| Rated voltage | 250 V~ | - with screw terminals |
| Switching current | 10 AX | |
| Power, LED | max. 100 W | |

| Suitable for | Order no. | Page |
|--------------------------------------|-------------|------|
| Contact protection box Ø 45 mm, flat | 9 1820 0 .. | 63 |
| Contact protection box Ø 45 mm | 918 20 .. | 63 |
| Contact protection box Ø 49 mm | 918 8 .. | 63 |
| Contact protection box 2gang | 9 191 .. | 64 |
| Contact protection box 3gang | 919 33 | 64 |

| | | |
|--------|-----------|----|
| Design | Order no. | PU |
|--------|-----------|----|

Berker integro - design flow | pure

| | | |
|--------------------|---------------------|-----|
| brown matt | 8 3655 25 01 | 200 |
| anthracite matt | 8 3655 25 05 | 200 |
| grey glossy | 8 3655 25 07 | 200 |
| polar white glossy | 8 3655 25 09 | 200 |

| | | |
|-------------------------------------|---------------------|----|
| brown matt | 9 3655 25 01 | 10 |
| anthracite matt | 9 3655 25 05 | 10 |
| grey glossy | 9 3655 25 07 | 10 |
| polar white glossy | 9 3655 25 09 | 10 |
| black glossy | 9 3655 25 10 | 10 |
| granite black, silk matt, lacquered | 9 3655 25 45 | 10 |
| chrome glossy, galvanised | 9 3655 25 18 | 10 |
| chrome matt, galvanised | 9 3655 25 28 | 10 |
| chrome matt, lacquered | 9 3655 25 68 | 10 |
| stainless steel matt, lacquered | 9 3655 25 24 | 10 |
| gold glossy, galvanised | 9 3655 25 38 | 10 |



Berker integro - design classic

| | | |
|---------------------------|------------------|----|
| grey glossy | 9 3655 07 | 10 |
| polar white glossy | 9 3655 09 | 10 |
| black matt | 9 3655 05 | 10 |
| chrome glossy, galvanised | 9 3655 18 | 10 |
| chrome matt, galvanised | 9 3655 28 | 10 |
| gold glossy, galvanised | 9 3655 38 | 10 |



Double on/off switch 12 V, isolated input terminals

▶ 197

Rated voltage 12 V= – with screw terminals
Switching current 5 A

| Suitable for | Order no. | Page |
|--------------------------------------|-------------|------|
| Contact protection box Ø 45 mm, flat | 9 1820 0 .. | 63 |
| Contact protection box Ø 45 mm | 918 20 .. | 63 |
| Contact protection box Ø 49 mm | 918 8 .. | 63 |
| Contact protection box 2gang | 9 191 .. | 64 |
| Contact protection box 3gang | 919 33 | 64 |

Design

Order no.


PU

Berker integro - design flow | pure

| | | |
|-------------------------------------|---------------------|----|
| brown matt | 8 3664 25 01 | 50 |
| anthracite matt | 8 3664 25 05 | 50 |
| black glossy | 8 3664 25 10 | 50 |
| granite black, silk matt, lacquered | 8 3664 25 45 | 50 |
| chrome glossy, galvanised | 8 3664 25 18 | 50 |
| chrome matt, galvanised | 8 3664 25 28 | 50 |
| chrome matt, lacquered | 8 3664 25 68 | 50 |



Rocker push-button

 Marked items are only suitable for splash-protected IP44 installation when used in conjunction with sealing (order no. 918 53), frame with hinged cover and imprint "IP44" and contact protection box.



Push-button, NO contact

▶ 197

Rated voltage 250 V~ – with screw terminals
Momentary-contact current 10 A
Power, LED max. 100 W

| Suitable for | Order no. | Page |
|--------------------------------------|-------------|------|
| Contact protection box Ø 45 mm, flat | 9 1820 0 .. | 63 |
| Contact protection box Ø 45 mm | 918 20 .. | 63 |
| Contact protection box Ø 49 mm | 918 8 .. | 63 |
| Contact protection box 2gang | 9 191 .. | 64 |
| Contact protection box 3gang | 919 33 | 64 |
| Optional | | |
| Sealing for IP 44 applications | 918 53 | 78 |
| Frame with imprint "IP44" | 9 1827 .. | 77 |

Design

Order no.

PU

Berker integro - design flow | pure

| | | |
|-------------------------------------|---------------------|-----|
| anthracite matt | 8 3671 25 05 | 200 |
| grey glossy | 8 3671 25 07 | 200 |
| brown matt | 9 3671 25 01 | 10 |
| anthracite matt | 9 3671 25 05 | 10 |
| grey glossy | 9 3671 25 07 | 10 |
| polar white glossy | 9 3671 25 09 | 10 |
| black glossy | 9 3671 25 10 | 10 |
| granite black, silk matt, lacquered | 9 3671 25 45 | 10 |
| chrome glossy, galvanised | 9 3671 25 18 | 10 |
| chrome matt, galvanised | 9 3671 25 28 | 10 |
| chrome matt, lacquered | 9 3671 25 68 | 10 |
| stainless steel matt, lacquered | 9 3671 25 24 | 10 |



Berker integro - design classic

| | | |
|---------------------------|------------------|-----|
| polar white glossy | 8 3671 09 | 200 |
| grey glossy | 9 3671 07 | 10 |
| polar white glossy | 9 3671 09 | 10 |
| black matt | 9 3671 05 | 10 |
| chrome glossy, galvanised | 9 3671 18 | 10 |
| chrome matt, galvanised | 9 3671 28 | 10 |

Push-button, NO contact, illuminated

▶ 197



- red lens



| | |
|---------------------------|------------|
| Rated voltage | 250 V~ |
| Neon lamp current | 0.9 mA |
| Momentary-contact current | 10 A |
| Power, LED | max. 100 W |

- for illumination and monitoring circuit
- with integrated neon lamp
- with screw terminals

When several neon lamp units are used, the lamp current may result in malfunctioning of the relay/pulse relay.
Remedy: Carry along a neutral conductor or connect a capacitor 230 V (1 µF per 10 mA neon lamp current) in parallel with the coil.

| Suitable for | Order no. | Page |
|--------------------------------------|-----------|------|
| Contact protection box Ø 45 mm, flat | 9 1820 .. | 63 |
| Contact protection box Ø 45 mm | 918 20 .. | 63 |
| Contact protection box Ø 49 mm | 918 8 .. | 63 |
| Contact protection box 2gang | 9 191 .. | 64 |
| Contact protection box 3gang | 919 33 | 64 |
| Optional | | |
| Sealing for IP 44 applications | 918 53 | 78 |
| Frame with imprint "IP44" | 9 1827 .. | 77 |

| Design | Order no. | PU |
|--|---------------------|----|
| Berker integro - design flow pure | | |
| brown matt | 9 3772 25 01 | 10 |
| anthracite matt | 9 3772 25 05 | 10 |
| grey glossy | 9 3772 25 07 | 10 |
| polar white glossy | 9 3772 25 09 | 10 |



Multiple rocker push-buttons



Series push-button, 2 NO contacts, common input terminal

▶ 197

| | | |
|---------------------------|------------|------------------------|
| Rated voltage | 250 V~ | - with screw terminals |
| Momentary-contact current | 10 A | |
| Power, LED | max. 100 W | |

| Suitable for | Order no. | Page |
|--------------------------------------|-------------|------|
| Contact protection box Ø 45 mm | 918 20 .. | 63 |
| Contact protection box Ø 45 mm, flat | 9 1820 0 .. | 63 |
| Contact protection box Ø 49 mm | 918 8 .. | 63 |
| Contact protection box 2gang | 9 191 .. | 64 |
| Contact protection box 3gang | 919 33 | 64 |

| Design | Order no. | PU |
|--|---------------------|----|
| Berker integro - design flow pure | | |
| brown matt | 9 3675 25 01 | 10 |
| anthracite matt | 9 3675 25 05 | 10 |
| grey glossy | 9 3675 25 07 | 10 |
| polar white glossy | 9 3675 25 09 | 10 |
| black glossy | 9 3675 25 10 | 10 |
| granite black, silk matt, lacquered | 9 3675 25 45 | 10 |
| chrome glossy, galvanised | 9 3675 25 18 | 10 |
| chrome matt, galvanised | 9 3675 25 08 | 10 |
| chrome matt, lacquered | 9 3675 25 68 | 10 |
| stainless steel matt, lacquered | 9 3675 25 24 | 10 |



| Design | Order no. | PU |
|--|------------------|----|
| Berker integro - design classic | | |
| grey glossy | 9 3675 07 | 10 |
| polar white glossy | 9 3675 09 | 10 |
| black matt | 9 3675 05 | 10 |



Series push-button, isolated input terminals

▶ 197

| | | |
|---------------------------|-------|------------------------|
| Rated voltage | 12 V= | - with screw terminals |
| Momentary-contact current | 5 A | |

| Suitable for | Order no. | Page |
|--------------------------------------|-----------|------|
| Contact protection box Ø 45 mm, flat | 9 1820 .. | 63 |
| Contact protection box Ø 49 mm | 918 8 .. | 63 |
| Contact protection box 2gang | 9 191 .. | 64 |
| Contact protection box 3gang | 919 33 | 64 |

| Design | Order no. | PU |
|--|---------------------|----|
| Berker integro - design flow pure | | |
| chrome glossy, galvanised | 9 3665 25 18 | 10 |



Blind push-button



Blind series push-button with imprinted symbol arrow

Rated voltage 250 V~ – with electrical interlocking to prevent mutual activation
 Momentary-contact current 10 A – with screw terminals

Follow the motor manufacturers' instructions.

| Suitable for | Order no. | Page |
|--------------------------------------|-------------|------|
| Contact protection box Ø 45 mm, flat | 9 1820 0 .. | 63 |
| Contact protection box Ø 45 mm | 918 20 .. | 63 |
| Contact protection box Ø 49 mm | 918 8 .. | 63 |
| Contact protection box 2gang | 9 191 .. | 64 |
| Contact protection box 3gang | 919 33 | 64 |

Design Order no. PU

Berker integro - design flow | pure

| | | |
|-------------------------------------|--------------|----|
| brown matt | 9 3653 25 01 | 10 |
| anthracite matt | 9 3653 25 05 | 10 |
| grey glossy | 9 3653 25 07 | 10 |
| polar white glossy | 9 3653 25 09 | 10 |
| black glossy | 9 3653 25 10 | 10 |
| granite black, silk matt, lacquered | 9 3653 25 45 | 10 |
| chrome glossy, galvanised | 9 3653 25 18 | 10 |
| chrome matt, galvanised | 9 3653 25 08 | 10 |
| chrome matt, lacquered | 9 3653 25 68 | 10 |
| stainless steel matt, lacquered | 9 3653 25 24 | 10 |

Berker integro - design classic

| | | |
|--------------------|-----------|----|
| grey glossy | 9 3653 07 | 10 |
| polar white glossy | 9 3653 09 | 10 |
| black matt | 9 3653 05 | 10 |



Reverse polarity push-button



Reverse polarity push-button, 6 contacts, with imprint for steps

Operating voltage 12 ... 24 V= – double change-over contact, usable as NC or NO with separate input terminals
 Flat connector size (plug width x plug thickness) 4.8 x 0.8 mm – 6 contacts at the backside
 Momentary-contact current at 24 V= 7.5 A – with fast-on terminal connection
 Momentary-contact current at 12 V= 15 A

| Suitable for | Order no. | Page |
|--------------------------------|-----------|------|
| Contact protection box Ø 45 mm | 918 20 .. | 63 |
| Contact protection box Ø 49 mm | 918 8 .. | 63 |
| Contact protection box 2gang | 9 191 .. | 64 |
| Contact protection box 3gang | 919 33 | 64 |

Design Order no. PU

chrome glossy, galvanised 9 3697 25 18 10



Reverse polarity push-button, 4 contacts, with imprint for steps

Operating voltage 12 ... 24 V= – e.g. for caravan step
 Momentary-contact current at 12 V= 15 A – 4 contacts at the backside
 Momentary-contact current at 24 V= 7.5 A – with fast-on terminal connection

| Suitable for | Order no. | Page |
|--------------------------------|-----------|------|
| Contact protection box Ø 45 mm | 918 20 .. | 63 |
| Contact protection box Ø 49 mm | 918 8 .. | 63 |
| Contact protection box 2gang | 9 191 .. | 64 |
| Contact protection box 3gang | 919 33 | 64 |

Design Order no. PU

anthracite matt 8 3699 25 05 200

| | | |
|-------------------------|--------------|----|
| brown matt | 9 3699 25 01 | 10 |
| anthracite matt | 9 3699 25 05 | 10 |
| grey glossy | 9 3699 25 07 | 10 |
| polar white glossy | 9 3699 25 09 | 10 |
| black glossy | 9 3699 25 10 | 10 |
| chrome matt, lacquered | 9 3699 25 68 | 10 |
| chrome matt, galvanised | 9 3699 25 28 | 10 |



Reverse polarity push-button, 5 contacts, with imprint for steps

| | | |
|---|--------------|------------------------------------|
| Operating voltage | 12 ... 24 V= | – e.g. for caravan step |
| Momentary-contact current at 12 V= | 15 A | – 5 contacts at the backside |
| Momentary-contact current at 24 V= | 7.5 A | – with fast-on terminal connection |
| Flat connector size (plug width x plug thickness) | 4.8 x 0.8 mm | |

| Suitable for | Order no. | Page |
|--------------------------------|-----------|------|
| Contact protection box Ø 45 mm | 9 1820 .. | 63 |
| Contact protection box Ø 49 mm | 918 8 .. | 63 |
| Contact protection box 2gang | 9 191 .. | 64 |
| Contact protection box 3gang | 919 33 | 64 |

| | | |
|---------------------------------|---------------------|-----|
| Design | Order no. | PU |
| stainless steel matt, lacquered | 8 3695 25 24 | 200 |

| | | |
|---------------------------|---------------------|----|
| brown matt | 9 3695 25 01 | 10 |
| anthracite matt | 9 3695 25 05 | 10 |
| grey glossy | 9 3695 25 07 | 10 |
| polar white glossy | 9 3695 25 09 | 10 |
| black glossy | 9 3695 25 10 | 10 |
| chrome glossy, galvanised | 9 3695 25 18 | 10 |
| chrome matt, galvanised | 9 3695 25 28 | 10 |
| chrome matt, lacquered | 9 3695 25 68 | 10 |



Reverse polarity push-button, 6 contacts, with imprint for steps

| | | |
|---|--------------|--|
| Operating voltage | 12 ... 24 V= | – e.g. for caravan step |
| Momentary-contact current at 12 V= | 15 A | – double change-over contact, usable as NC or NO with separate input terminals |
| Momentary-contact current at 24 V= | 7.5 A | – 6 contacts at the backside |
| Flat connector size (plug width x plug thickness) | 4.8 x 0.8 mm | – with fast-on terminal connection |

| Suitable for | Order no. | Page |
|--------------------------------|-----------|------|
| Contact protection box Ø 45 mm | 918 20 .. | 63 |
| Contact protection box Ø 49 mm | 918 8 .. | 63 |
| Contact protection box 2gang | 9 191 .. | 64 |
| Contact protection box 3gang | 919 33 | 64 |

| | | |
|---------------------------|---------------------|----|
| Design | Order no. | PU |
| anthracite matt | 9 3697 25 05 | 10 |
| black glossy | 9 3697 25 10 | 10 |
| chrome glossy, galvanised | 9 3697 25 38 | 10 |



Reverse polarity push-button, 4 contacts, with imprint for beds

| | | |
|---|--------------|------------------------------------|
| Operating voltage | 12 ... 24 V= | – for e.g. height-adjustable beds |
| Momentary-contact current at 12 V= | 15 A | – 4 contacts at the backside |
| Momentary-contact current at 24 V= | 7.5 A | – with fast-on terminal connection |
| Flat connector size (plug width x plug thickness) | 4.8 x 0.8 mm | |

| Suitable for | Order no. | Page |
|--------------------------------|-----------|------|
| Contact protection box Ø 45 mm | 918 20 .. | 63 |
| Contact protection box Ø 49 mm | 918 8 .. | 63 |
| Contact protection box 2gang | 9 191 .. | 64 |
| Contact protection box 3gang | 919 33 | 64 |

| | | |
|-------------------------|---------------------|----|
| Design | Order no. | PU |
| anthracite matt | 9 3699 25 75 | 10 |
| chrome matt, galvanised | 9 3699 25 78 | 10 |



Reverse polarity push-button, 4 contacts, with imprint for awnings

| | | |
|---|--------------|------------------------------------|
| Operating voltage | 12 ... 24 V= | – e.g. for caravan awning |
| Momentary-contact current at 12 V= | 15 A | – 4 contacts at the backside |
| Momentary-contact current at 24 V= | 7.5 A | – with fast-on terminal connection |
| Flat connector size (plug width x plug thickness) | 4.8 x 0.8 mm | |

| Suitable for | Order no. | Page |
|--------------------------------|-----------|------|
| Contact protection box Ø 45 mm | 918 20 .. | 63 |
| Contact protection box Ø 49 mm | 918 8 .. | 63 |
| Contact protection box 2gang | 9 191 .. | 64 |
| Contact protection box 3gang | 919 33 | 64 |

| | | |
|---------------------------|---------------------|----|
| Design | Order no. | PU |
| anthracite matt | 9 3696 25 05 | 10 |
| chrome glossy, galvanised | 9 3696 25 18 | 10 |
| chrome matt, galvanised | 9 3696 25 28 | 10 |
| chrome matt, lacquered | 9 3696 25 68 | 10 |



Reverse polarity push-button, 6 contacts, with imprinted arrows symbol

| | | | | |
|---|---------------------------|--|---------------------|-----------|
| Operating voltage | 24 V= | – double change-over contact, usable as NC or NO with separate input terminals | | |
| Momentary-contact current at 12 V= | 15 A | – 6 contacts at the backside | | |
| Momentary-contact current at 24 V= | 7.5 A | | | |
| Flat connector size (plug width x plug thickness) | 4.8 x 0.8 mm | | | |
| Design | chrome glossy, galvanised | | Order no. | PU |
| | | | 8 3697 25 78 | 50 |

Appliance switch

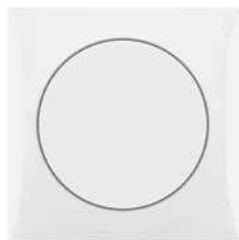


On/off switch, 2-pole USA/CANADA with printing "0" and "I"

| | | | | |
|---|------------------|------------------------------------|---------------------|-----------|
| Rated voltage | 250 V~ | – with fast-on terminal connection | | |
| Switching current | 16 A | | | |
| Flat connector size (plug width x plug thickness) | 6.3 x 0.8 mm | | | |
| Switch UL listed. | | | | |
| Design | polar white matt | | Order no. | PU |
| | anthracite matt | | 9 4509 25 02 | 10 |
| | black matt | | 9 4509 25 05 | 10 |



1 - 10 V control units



1 - 10 V rotary potentiometer with frame

| | | |
|--------------------|----------|---|
| - setting knob | | – basic brightness programmable |
| - soft locking | | – e.g. for fluorescent lamps and LV halogen lamps |
| | | – for switching and controlling electronic ballasts and 1 - 10 V Tronic transformers, 105 W |
| | | – with on/off pressure switch |
| | | – short-circuit and overload proof (fine-wire fuse) |
| | | – with spare fuse |
| | | – with screw terminals |
| Operating voltage | 230 V~ | |
| Frequency | 50/60 Hz | |
| Switching current | 6 A | |
| Control current | 50 mA | |
| Installation depth | 22 mm | |
| Axis dimension Ø | 4 mm | |

To ensure same illumination, use only electronic ballasts and fluorescent lamps from the same manufacturers.

Possible to change fuse without removing cover.

Do not mount with Berker integro contact protection boxes, flush-mounted housings or fixing clamping ring.

Interface according to DIN EN 61347-2-3

| | | | |
|--------|-------------------------------------|---------------------|-----------|
| Design | | Order no. | PU |
| | Berker integro - design flow | | |
| | brown matt | 9 2891 25 01 | 10 |
| | anthracite matt | 9 2891 25 05 | 10 |
| | grey glossy | 9 2891 25 06 | 10 |
| | polar white glossy | 9 2891 25 09 | 10 |



Accessories

Contact protection boxes

– flame resistant according to VDE 0606-1



Contact protection box Ø 45 mm, flat

▶ 199

Cable Ø max. 10 mm – only for switches and push-buttons
 Installation depth 22 mm – with 1 cable entry
 Strain relief not suitable for flat cables.



| Design | Order no. | PU |
|-----------------------------|------------------|-----|
| grey, without strain relief | 9 1820 03 | 200 |
| grey, with strain relief | 9 1820 01 | 200 |



Contact protection box Ø 45 mm

▶ 199

Cable Ø max. 10 mm – for switches and socket outlets
 Installation depth 35.5 mm – with 4 cable entries
 – 3 knock out openings
 Strain relief not suitable for flat cables.



| Design | Order no. | PU |
|---|------------------|-----|
| grey, without strain relief | 9 1820 02 | 200 |
| grey, with strain relief | 918 20 | 200 |
| grey, with strain relief for fire protection applications | 9 1820 20 | 200 |



Contact protection box Ø 49 mm

▶ 199

Cable Ø max. 10 mm – with 2 cable entries
 Installation depth 38 mm
 Strain relief not suitable for flat cables.



| Design | Order no. | PU |
|--|------------------|-----|
| grey, without strain relief | 9 1887 01 | 200 |
| grey, with 1 internal double strain relief on side | 918 87 | 200 |



Contact protection box Ø 49 mm, deep

▶ 199

Cable Ø max. 12 mm – with 2 cable entries on backside
 Installation depth 45.5 mm – 1 knock out opening
 Strain relief not suitable for flat cables.



| Design | Order no. | PU |
|---|------------------|-----|
| grey, with 1 external double strain relief | 918 83 | 200 |
| grey, with 1 external double strain relief for fire protection applications | 9 1883 20 | 200 |



Contact protection box 2gang

▶ 199

| | | |
|--------------------|------------|--|
| length | 109 mm | – with 2 cable entries |
| Width | 49 mm | – for vertical and horizontal mounting |
| Cable Ø | max. 12 mm | – 1 knock out opening |
| Installation depth | 37 mm | |

Strain reliefs not suitable for flat cables.

The power supply must be ordered separately.



| Design | Order no. | PU |
|-----------------------------|------------------|-----|
| grey, with strain relief | 8 1915 01 | 100 |
| grey, with 2 strain reliefs | 8 1915 02 | 100 |
| grey, with strain relief | 9 1915 01 | 10 |
| grey, with 2 strain reliefs | 9 1915 02 | 10 |



Contact protection box 2gang vertical, deep

▶ 199

| | | |
|--------------------|------------|------------------------------------|
| length | 109 mm | – with 4 cable entries on backside |
| Width | 48 mm | – for vertical mounting |
| Cable Ø | max. 12 mm | – 3 knock out openings |
| Installation depth | 45.5 mm | |

Strain relief not suitable for flat cables.

Only suitable for 2gang frames!



| Design | Order no. | PU |
|---|------------------|-----|
| grey, without strain relief | 9 1911 02 | 100 |
| grey, with 1 external double strain relief | 919 11 | 100 |
| grey, with 2 external double strain reliefs | 9 1911 01 | 100 |



Contact protection box 2gang horizontal, deep

▶ 199

| | | |
|--------------------|------------|------------------------------------|
| length | 48 mm | – with 4 cable entries on backside |
| Width | 109 mm | – for horizontal mounting |
| Cable Ø | max. 12 mm | – 2 knock out openings |
| Installation depth | 45.5 mm | |

Strain relief not suitable for flat cables.

Only suitable for 2gang frames!



| Design | Order no. | PU |
|---|------------------|-----|
| grey, with 1 external double strain relief | 919 12 | 100 |
| grey, with 2 external double strain reliefs | 9 1912 01 | 100 |



Contact protection box 3gang

▶ 199

| | | |
|--------------------|------------|---|
| length | 168 mm | – with 6 cable entries, 1 per side, top, bottom and 2 on backside |
| Width | 49 mm | – for vertical and horizontal mounting |
| Cable Ø | max. 10 mm | – 5 knock out openings |
| Installation depth | 38 mm | |

Strain relief not suitable for flat cables.

All devices can optionally be arranged vertically or horizontally.

Only suitable for 3gang frames (except order no. 9 1819 25 18, 9 1978 25 18 and 9 1978 25 28).

Restricted installation options apply if the cable clamp is mounted on the front face.



| Design | Order no. | PU |
|----------------------------|---------------|----|
| grey, with 1 strain relief | 919 33 | 10 |



Contact protection box Ø 58 mm for terminal attachment

▶ 199

Cable Ø max. 10 mm
Installation depth 35 mm
Strain relief not suitable for flat cables.



| Design | Order no. | PU |
|-------------------------------------|------------------|-----|
| grey, without strain relief | 8 1837 01 | 200 |
| grey, with 1 internal strain relief | 818 37 | 200 |

Supplementary products



Fixing clamping ring

▶ 199

Hole Ø 50 mm
For Berker integro inserts, e. g. for installation in a mirror.

Suitable for Contact protection box Ø 58 mm for terminal attachment
Order no. 818 37 ..
Page 65

| Design | Order no. | PU |
|-------------------------------|------------------|-----|
| grey, material thickness 5 mm | 818 36 | 200 |
| grey, material thickness 4 mm | 8 1836 01 | 200 |
| grey, material thickness 6 mm | 8 1836 02 | 200 |



Blank plate

– with supporting plate

| Design | Order no. | PU |
|-------------------------------------|---------------------|-----|
| brown matt | 8 4516 25 01 | 200 |
| anthracite matt | 8 4516 25 05 | 200 |
| grey glossy | 8 4516 25 07 | 200 |
| polar white glossy | 8 4516 25 09 | 200 |
| black matt | 8 4516 05 | 200 |
| chrome matt, lacquered | 8 4516 25 68 | 200 |
| brown matt | 9 4516 25 01 | 10 |
| anthracite matt | 9 4516 25 05 | 10 |
| grey glossy | 9 4516 25 07 | 10 |
| polar white glossy | 9 4516 25 09 | 10 |
| black glossy | 9 4516 25 10 | 10 |
| black matt | 9 4516 05 | 10 |
| granite black, silk matt, lacquered | 9 4516 25 45 | 10 |
| stainless steel matt, lacquered | 9 4516 25 24 | 10 |



Mounting template 3gang, cardboard

For precise hole drilling for 1gang appliances and for 2gang and 3gang combinations.

| Design | Order no. | PU |
|-----------------|---------------|----|
| grey, cardboard | 918 44 | 10 |



Mounting template 2gang, solid aluminium

For precise hole drilling for 1gang appliances and for 2gang combinations.

| Design | Order no. | PU |
|--------------------|------------------|----|
| Aluminium anodised | 9 1845 02 | 1 |



Mounting template 3gang, solid aluminium

For precise hole drilling for 1gang appliances and for 2gang and 3gang combinations.

| Design | Order no. | PU |
|--------------------|------------------|----|
| Aluminium anodised | 9 1845 03 | 1 |



Built-in socket for floating output

Conductor cross-section (rigid) max. 6 mm² – for centre plate with cut-out dia. 18.8 mm
– with a green yellow signal ring
For separate earthing of medical-technical equipment and lab equipment.
Connection pins according to DIN 42801



| Design | Order no. | PU |
|-------------------------------------|-------------|----|
| Built-in socket for floating output | 4604 | 1 |



Plug 12 V

Operating voltage 12 ... 24 V – with solder connection
Rated current max. 8 A

| Suitable for | Order no. | Page |
|--------------------|-----------|------|
| Socket outlet 12 V | 8 4517 .. | 44 |
| Socket outlet 12 V | 9 4517 .. | 44 |



| Design | Order no. | PU |
|------------|-------------|----|
| black matt | 4637 | 1 |



Wire and duct entry

Also suitable for surface-mounted frames and housings from the flush-mounted ranges. – for wire or 15 x 15 mm cable duct

| Suitable for | Order no. | Page |
|------------------------------|-----------|------|
| Surface-mounted housing high | 9 1151 .. | 91 |



| Design | Order no. | PU |
|-------------|----------------|----|
| white | 1813 | 10 |
| polar white | 1813 09 | 10 |
| black | 1813 05 | 10 |

Products for Truma devices



Frame 1gang for Truma devices

To be used only for Truma devices!

| Design | Order no. | PU |
|---------------------------------|---------------------|-----|
| anthracite matt | 8 1971 25 05 | 200 |
| chrome glossy, galvanised | 8 1971 25 17 | 200 |
| brown matt | 9 1971 25 01 | 10 |
| anthracite matt | 9 1971 25 05 | 10 |
| grey glossy | 9 1971 25 07 | 10 |
| polar white glossy | 9 1971 25 09 | 10 |
| black glossy | 9 1971 25 10 | 10 |
| chrome matt, lacquered | 9 1971 25 68 | 10 |
| chrome glossy, galvanised | 9 1971 25 17 | 10 |
| stainless steel matt, lacquered | 9 1971 25 24 | 10 |



Frame 2gang for Truma devices

To be used only for Truma devices!

| Design | Order no. | PU |
|------------------------|---------------------|-----|
| brown matt | 8 1972 25 01 | 100 |
| anthracite matt | 8 1972 25 05 | 100 |
| brown matt | 9 1972 25 01 | 2 |
| anthracite matt | 9 1972 25 05 | 2 |
| chrome matt, lacquered | 9 1972 25 68 | 2 |



Frame 3gang for Truma devices

To be used only for Truma devices!

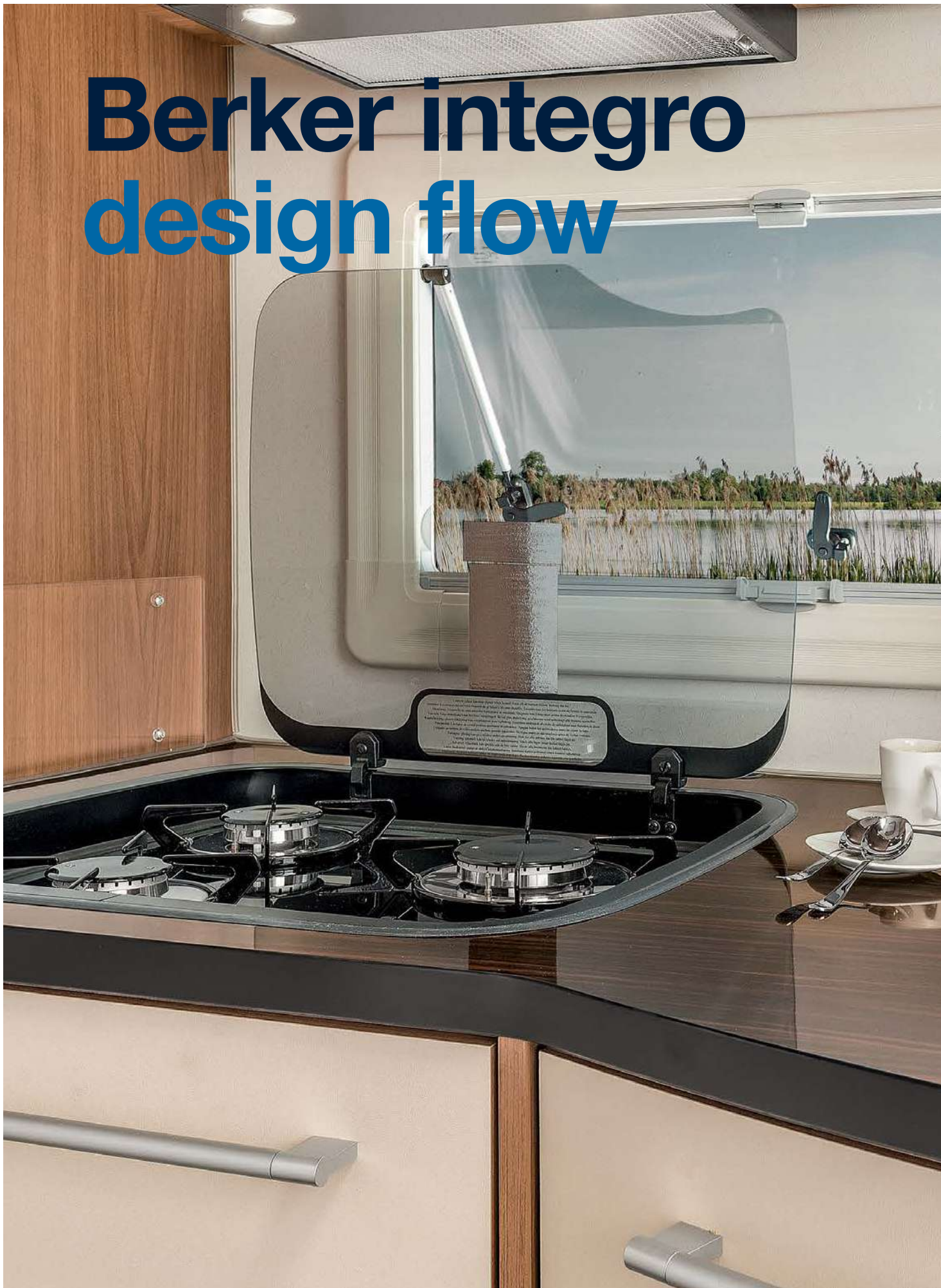
| Design | Order no. | PU |
|------------------------|---------------------|-----|
| brown matt | 8 1973 25 01 | 200 |
| anthracite matt | 8 1973 25 05 | 200 |
| brown matt | 9 1973 25 01 | 2 |
| anthracite matt | 9 1973 25 05 | 2 |
| chrome matt, lacquered | 9 1973 25 68 | 2 |



Blank plate for Truma frame

| Design | Order no. | PU |
|------------------------|---------------------|-----|
| brown matt | 8 1974 25 01 | 200 |
| anthracite matt | 8 1974 25 05 | 200 |
| grey matt | 8 1974 25 06 | 200 |
| black matt | 8 1974 25 03 | 200 |
| chrome matt, lacquered | 8 1974 25 68 | 200 |
| brown matt | 9 1974 25 01 | 10 |
| anthracite matt | 9 1974 25 05 | 10 |
| chrome matt, lacquered | 9 1974 25 68 | 10 |

Berker integro design flow





Berker integro
Design flow

Berker integro design flow


A contemporary solution for every installation environment – straight-line contours and angular corners, coupled with arched surface geometry. In this manner design flow from Berker integro ensures a harmonious transition to the operating section for any installation surface. The ideal product for virtually any interior style.



02

Page

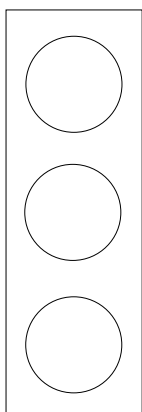
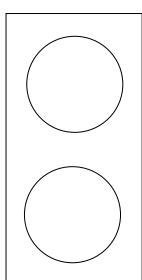
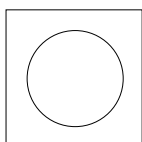
| | |
|-------------------------|----|
| Frames | 74 |
| Surface-mounted housing | 80 |

 Marked items are suitable for splash-protected IP44 installation when used in conjunction with the corresponding sealing set.

Product examples

Berker integro

design flow



Dimensions

Frame 1-3gang (W x H)
1-gang: 59.5 x 59.5 mm
2-gang: 59.5 x 119 mm
3-gang: 59.5 x 178.5 mm





Frames/Covers/ Central inserts

Plastic, glossy

| | |
|-------------|---------------------|
| Grey | similar to RAL 7038 |
| Polar white | similar to RAL 9010 |
| Black | similar to RAL 9005 |
| Red | similar to RAL 3003 |
| Green | similar to RAL 6032 |
| Orange | similar to RAL 2008 |

Plastic, lacquered

| | |
|-----------------|---------------------|
| Chrome matt | similar to RAL 9006 |
| Stainless steel | similar to RAL 9022 |

Plastic, matt

| | |
|------------|---------------------|
| Brown | similar to RAL 8017 |
| Anthracite | similar to RAL 7021 |

plastic, galvanised

| | |
|---------------|---------------------|
| chrome glossy | similar to RAL 9023 |
| Chrome matt | similar to RAL 9006 |
| gold glossy | |



Frames



Frame 1gang

▶ 200

| Design | Order no. | PU |
|---------------------------------|--------------|-----|
| brown matt | 8 1827 25 01 | 200 |
| anthracite matt | 8 1827 25 05 | 200 |
| grey glossy | 8 1827 25 07 | 200 |
| polar white glossy | 8 1827 25 09 | 200 |
| brown matt | 9 1827 25 01 | 10 |
| anthracite matt | 9 1827 25 05 | 10 |
| grey glossy | 9 1827 25 07 | 10 |
| polar white glossy | 9 1827 25 09 | 10 |
| black glossy | 9 1827 25 10 | 10 |
| chrome glossy, galvanised | 9 1827 25 18 | 10 |
| chrome matt, galvanised | 9 1827 25 28 | 10 |
| chrome matt, lacquered | 9 1827 25 58 | 10 |
| stainless steel matt, lacquered | 9 1827 25 24 | 10 |
| gold glossy, galvanised | 9 1827 25 38 | 10 |
| red glossy | 9 1827 25 76 | 10 |
| green glossy | 9 1827 25 70 | 10 |
| orange glossy | 9 1827 25 74 | 10 |



Frame 2gang

▶ 200

– for vertical and horizontal mounting

| Design | Order no. | PU |
|---------------------------------|--------------|-----|
| brown matt | 8 1826 25 11 | 100 |
| anthracite matt | 8 1826 25 15 | 100 |
| grey glossy | 8 1826 25 07 | 100 |
| polar white glossy | 8 1826 25 19 | 100 |
| red glossy | 8 1826 25 76 | 100 |
| brown matt | 9 1826 25 11 | 2 |
| anthracite matt | 9 1826 25 15 | 2 |
| grey glossy | 9 1826 25 07 | 2 |
| polar white glossy | 9 1826 25 19 | 2 |
| black glossy | 9 1826 25 10 | 2 |
| chrome glossy, galvanised | 9 1826 25 18 | 2 |
| chrome matt, galvanised | 9 1826 25 28 | 2 |
| chrome matt, lacquered | 9 1826 25 58 | 2 |
| stainless steel matt, lacquered | 9 1826 25 24 | 2 |
| gold glossy, galvanised | 9 1826 25 38 | 2 |
| red glossy | 9 1826 25 76 | 2 |
| green glossy | 9 1826 25 70 | 2 |
| orange glossy | 9 1826 25 74 | 2 |



Frame 3gang

– for vertical and horizontal mounting

▶ 200

| Design | Order no. | PU |
|---------------------------------|---------------------|-----|
| anthracite matt | 8 1819 25 15 | 200 |
| brown matt | 9 1819 25 11 | 2 |
| anthracite matt | 9 1819 25 15 | 2 |
| grey glossy | 9 1819 25 07 | 2 |
| polar white glossy | 9 1819 25 19 | 2 |
| black glossy | 9 1819 25 10 | 2 |
| chrome matt, lacquered | 9 1819 25 68 | 2 |
| chrome glossy, galvanised | 9 1819 25 18 | 2 |
| stainless steel matt, lacquered | 9 1819 25 24 | 2 |
| red glossy | 9 1819 25 76 | 2 |
| green glossy | 9 1819 25 70 | 2 |
| orange glossy | 9 1819 25 74 | 2 |



Frame

- labelling field



Labelling field height arranged for P-touch strips 6 mm.

| Design | Order no. | PU |
|------------------------|---------------------|----|
| anthracite matt | 9 1803 25 05 | 10 |
| grey glossy | 9 1803 25 07 | 10 |
| polar white glossy | 9 1803 25 09 | 10 |
| chrome matt, lacquered | 9 1803 25 68 | 10 |
| red glossy | 9 1803 25 76 | 10 |
| green glossy | 9 1803 25 90 | 10 |
| orange glossy | 9 1803 25 94 | 10 |

Frame with lens



Frame

- lens upper right / Lens down left

– for socket with indicator LED



| Design | Order no. | PU |
|--------------------|---------------------|----|
| anthracite matt | 9 1987 25 05 | 10 |
| grey glossy | 9 1987 25 06 | 10 |
| polar white glossy | 9 1987 25 02 | 10 |
| red glossy | 9 1987 25 76 | 10 |
| green glossy | 9 1987 25 03 | 10 |
| orange glossy | 9 1987 25 04 | 10 |



Frame

- labelling field

– for socket with indicator LED

- lens upper left / Lens down right



Labelling field height arranged for P-touch strips 6 mm.

| Design | Order no. | PU |
|--------------------|---------------------|-----|
| anthracite matt | 8 1970 25 05 | 200 |
| grey glossy | 8 1970 25 06 | 200 |
| polar white glossy | 8 1970 25 02 | 200 |
| red glossy | 8 1970 25 76 | 200 |
| green glossy | 8 1970 25 03 | 200 |
| orange glossy | 8 1970 25 04 | 200 |



Frame

- labelling field
- lens upper right / Lens down left

– for socket with indicator LED



Labelling field height arranged for P-touch strips 6 mm.

| Design | Order no. | PU |
|--------------------|--------------|-----|
| anthracite matt | 8 1977 25 05 | 200 |
| grey glossy | 8 1977 25 06 | 200 |
| polar white glossy | 8 1977 25 02 | 200 |
| red glossy | 8 1977 25 76 | 200 |
| green glossy | 8 1977 25 03 | 200 |
| orange glossy | 8 1977 25 04 | 200 |

Frames with hinged cover



Frame with hinged cover

– for covering of socket outlets

▶ 200

| Design | Order no. | PU |
|---------------------------------|--------------|-----|
| brown matt | 8 1828 25 01 | 200 |
| anthracite matt | 8 1828 25 05 | 200 |
| grey glossy | 8 1828 25 07 | 200 |
| polar white glossy | 8 1828 25 09 | 200 |
| brown matt | 9 1828 25 01 | 10 |
| anthracite matt | 9 1828 25 05 | 10 |
| grey glossy | 9 1828 25 07 | 10 |
| polar white glossy | 9 1828 25 09 | 10 |
| black glossy | 9 1828 25 10 | 10 |
| chrome glossy, galvanised | 9 1828 25 18 | 10 |
| chrome matt, galvanised | 9 1828 25 28 | 10 |
| chrome matt, lacquered | 9 1828 25 78 | 10 |
| stainless steel matt, lacquered | 9 1828 25 24 | 10 |
| gold glossy, galvanised | 9 1828 25 38 | 10 |
| red glossy | 9 1828 25 76 | 10 |
| green glossy | 9 1828 25 70 | 10 |
| orange glossy | 9 1828 25 74 | 10 |



Frame with hinged cover

- labelling field

– with 2 labelling field inlays, neutral and perforated for socket outlet with indicator LED
– for covering of socket outlets



Labelling field height arranged for P-touch strips 9 mm.

| Design | Order no. | PU |
|--------------------|--------------|----|
| anthracite matt | 9 1988 25 05 | 10 |
| grey glossy | 9 1988 25 06 | 10 |
| polar white glossy | 9 1988 25 02 | 10 |
| red glossy | 9 1988 25 76 | 10 |
| green glossy | 9 1988 25 03 | 10 |
| orange glossy | 9 1988 25 04 | 10 |

New



Frame with hinged cover

- labelling field



- with 2 labelling field inlays, neutral and perforated for socket outlet with indicator LED
- for covering of socket outlets

Labelling field height arranged for P-touch strips 9 mm.

Design

Order no.

PU

Lens down left

| | | |
|--------------------|----------------|----|
| polar white glossy | ★ 9 1988 25 82 | 10 |
| green glossy | ★ 9 1988 25 83 | 10 |
| orange glossy | ★ 9 1988 25 84 | 10 |
| red glossy | ★ 9 1988 25 86 | 10 |

Lens down right

| | | |
|--------------------|----------------|----|
| polar white glossy | ★ 9 1988 25 92 | 10 |
| green glossy | ★ 9 1988 25 93 | 10 |
| orange glossy | ★ 9 1988 25 94 | 10 |
| red glossy | ★ 9 1988 25 96 | 10 |



IP44 applications



Marked items are only suitable for splash-protected IP44 installation when used in conjunction with the corresponding sealing accessories and Berker integro module insert.

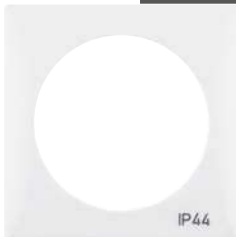


Frame with imprint "IP44"

▶ 200

Not suitable for switches/push-buttons with split rocker.

- without sealing
- for water-proof covering of rocker switches/rocker push-buttons



| Suitable for | Order no. | Page |
|--------------------------------|-----------|------------|
| Rocker switch | | from p. 54 |
| Rocker push-button | | from p. 58 |
| Sealing for IP 44 applications | 818 53 | 78 |

Design

Order no.

PU

| | | |
|------------------------|--------------|----|
| brown matt | 9 1827 25 91 | 10 |
| anthracite matt | 9 1827 25 95 | 10 |
| grey glossy | 9 1827 25 97 | 10 |
| polar white glossy | 9 1827 25 99 | 10 |
| chrome matt, lacquered | 9 1827 25 68 | 10 |



Frame with hinged cover and imprint "IP44"

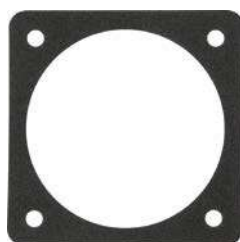
▶ 200



- without sealing
- for waterproof covering of socket outlets

| Suitable for | Order no. | Page |
|--|-----------|------------|
| SCHUKO socket outlets | | from p. 22 |
| SCHUKO socket outlets with SNAP IN | | from p. 28 |
| Socket outlets with earthing pin | | from p. 40 |
| Sealing for IP 44 applications | | from p. 78 |
| Sealing IP44 for socket outlets with insulation-piercing terminals | | from p. 79 |

| Design | Order no. | PU |
|------------------------|---------------------|-----|
| anthracite matt | 8 1828 25 95 | 200 |
| grey glossy | 8 1828 25 97 | 200 |
| polar white glossy | 8 1828 25 99 | 200 |
| | | |
| brown matt | 9 1828 25 91 | 10 |
| anthracite matt | 9 1828 25 95 | 10 |
| grey glossy | 9 1828 25 97 | 10 |
| polar white glossy | 9 1828 25 99 | 10 |
| chrome matt, lacquered | 9 1828 25 68 | 10 |
| red glossy | 9 1828 25 86 | 10 |
| green glossy | 9 1828 25 90 | 10 |
| orange glossy | 9 1828 25 94 | 10 |



Sealing for IP 44 applications

Material thickness 2.5 mm
Cut-out Ø 46.5 mm

- for SCHUKO socket outlets and socket outlets with earthing pin (frame with hinged cover "IP 44" and contact protection box required!)
- for rocker switch/rocker push-button (frame IP 44 and contact protection box required!)

New sealing material:
Cellular rubber, closed cell (EPDM-S), permanently elastic whilst also higher strength. For optimum sealing effect and improved material behaviour during installation.

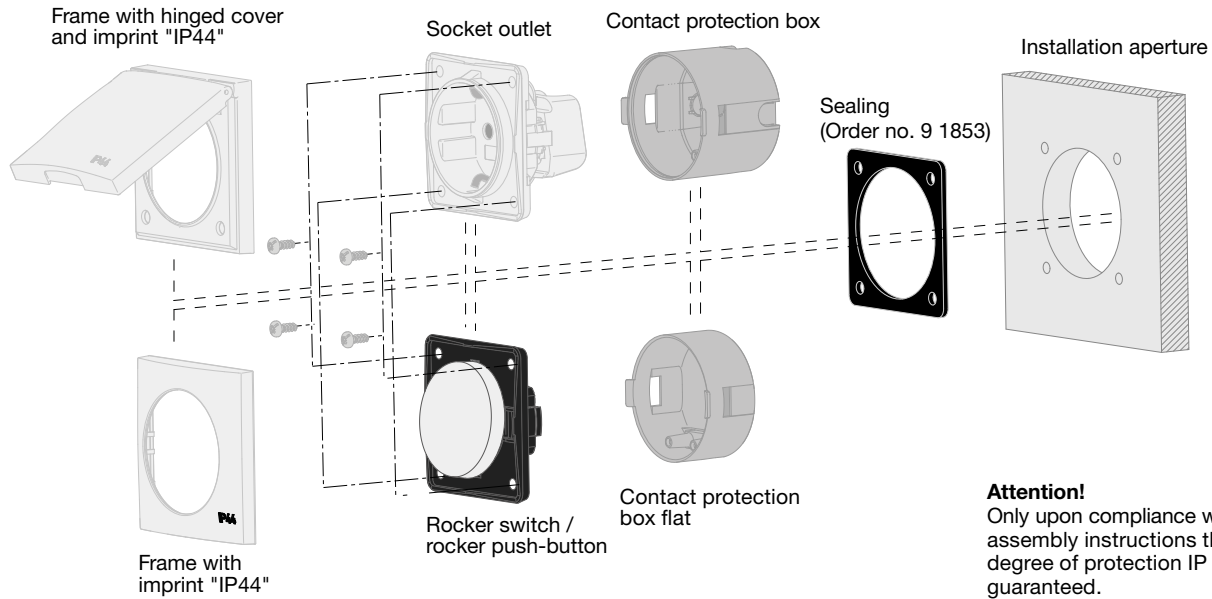
Caution!

Not suitable for socket outlets with insulation-piercing terminals.
Not suitable for switches/push-buttons with split rocker.

| Suitable for | Order no. | Page |
|--|-----------|------------|
| SCHUKO socket outlets with plug-in terminals | | from p. 22 |
| SCHUKO socket outlets with screw terminals | | from p. 23 |
| Socket outlets with earthing pin and screw terminals | | from p. 40 |
| Rocker switch | | from p. 54 |
| Rocker push-button | | from p. 58 |
| Frame with imprint "IP44" | | from p. 77 |
| Frame with hinged cover and imprint "IP44" | | from p. 78 |

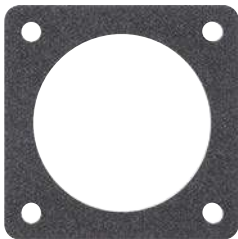
| Design | Order no. | PU |
|--------|---------------|-----|
| black | 818 53 | 200 |
| black | 918 53 | 10 |

Assembly instructions of IP44 covers



Attention!
Only upon compliance with the assembly instructions the degree of protection IP 44 is guaranteed.

Berker integro
Design flow



Sealing IP44 for socket outlets with insulation-piercing terminals

Material thickness 2.5 mm
Cut-out Ø 41 mm

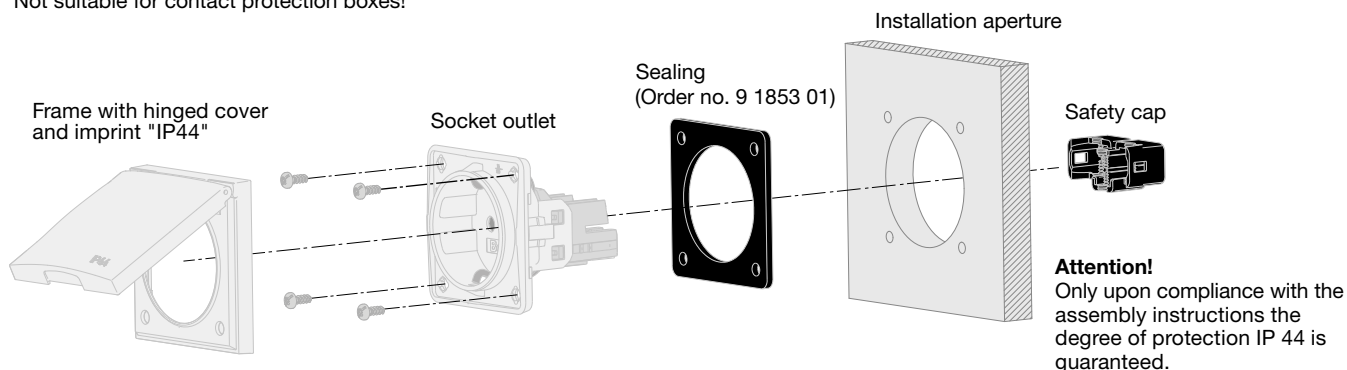
New sealing material:
Cellular rubber, closed cell (EPDM-S), permanently elastic whilst also higher strength. For optimum sealing effect and improved material behaviour during installation.

- for SCHUKO socket outlets with insulation-piercing terminals (frame with hinged cover "IP44" required!)
- for socket outlets with earthing pin and insulation-piercing terminals (frame with hinged cover "IP44" required!)

| Design | Order no. | Order no. | Page |
|--------|-----------|---|--|
| black | 8 1853 01 | Suitable for SCHUKO socket outlets with insulation-piercing terminals Socket outlets with earthing pin and insulation-piercing terminals Frame with hinged cover and imprint "IP44" | from p. 24 from p. 41 from p. 78 |
| black | 9 1853 01 | | 10 |

Assembly instructions for IP44 socket outlets with insulation-piercing terminals

Not suitable for contact protection boxes!



Surface-mounted housing



Surface-mounted housing high

Dimensions (W x H x D)

59.5 x 59.5 x 41 mm

- with cable entry
- for mounting on combustible base surface
- to built-on installation of devices

▶ 200

Design

without strain relief

brown glossy

9 1151 25 01

10

anthracite glossy

9 1151 25 05

10

grey glossy

9 1151 25 07

10

polar white glossy

9 1151 25 09

10

black glossy

9 1151 25 10

10

with strain relief

brown glossy

9 1151 25 11

10

anthracite glossy

9 1151 25 15

10

grey glossy

9 1151 25 17

10

polar white glossy

9 1151 25 19

10

black glossy

9 1151 25 20

10



Surface-mounted housing flat

Dimensions (W x H x D)

59.5 x 59.5 x 16 mm

- for mounting on combustible base surface
- to built-on installation of switches and push-buttons

▶ 200

Design

without strain relief

anthracite glossy

9 1152 25 25

10

polar white glossy

9 1152 25 29

10

Order no.

PU



with 1 strain relief

| | | |
|--------------------|---------------------|-----|
| polar white glossy | 8 1152 25 59 | 200 |
| anthracite glossy | 9 1152 25 55 | 10 |
| polar white glossy | 9 1152 25 59 | 10 |



with 2 strain reliefs

| | | |
|--------------------|---------------------|-----|
| polar white glossy | 8 1152 25 69 | 200 |
| anthracite glossy | 9 1152 25 65 | 10 |
| polar white glossy | 9 1152 25 69 | 10 |



Surface-mounted spacer ring

| | | | |
|---------------------------------|---------------------|---|-------|
| Dimensions (W x H x D) | 59.5 x 59.5 x 10 mm | – for the reduction of the installation depth of the devices and surf.-mount. of switches and push-b. | ▶ 200 |
| Design | Order no. | | PU |
| brown glossy | 9 1825 25 11 | | 10 |
| anthracite glossy | 9 1825 25 15 | | 10 |
| grey glossy | 9 1825 25 06 | | 10 |
| polar white glossy | 9 1825 25 12 | | 10 |
| black glossy | 9 1825 25 10 | | 10 |
| chrome matt, lacquered | 9 1825 25 68 | | 10 |
| stainless steel matt, lacquered | 9 1825 25 24 | | 10 |

Berker integro design classic





Berker integro
Design classic

Berker integro design classic


A classic in the Berker integro family. Timeless design elements, such as rounded corners and smooth or textured surfaces, perfectly combined with modern design parameters such as flat surface geometry and a discreet corner radius. And the classic design installations become real eye-catchers! The granite-black, silk-matt lacquered design guarantees a special operating experience. An innovative, refined surface lacquer offers exceptional surface feel for connoisseurs.



03

Page

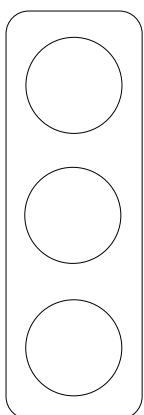
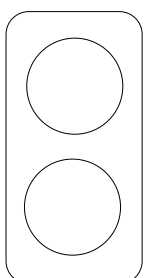
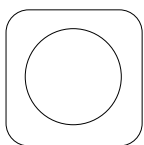
| | |
|-------------------------|----|
| Frames | 88 |
| Surface-mounted housing | 91 |

 Marked items are suitable for splash-protected IP44 installation when used in conjunction with the corresponding sealing set.

Product examples

Berker integro

design classic



Dimensions

Frame 1-3gang (W x H)

1-gang: 59.5 x 59.5 mm

2-gang: 59.5 x 119 mm

3-gang: 59.5 x 178.5 mm





Frames/Covers/ Central inserts

Plastic, glossy

| | |
|-------------|---------------------|
| Grey | similar to RAL 7038 |
| Polar white | similar to RAL 9010 |
| Red | similar to RAL 3003 |
| Green | similar to RAL 6032 |
| Orange | similar to RAL 2008 |

Plastic, lacquered, silk matt

| | |
|---------------|---------------------|
| Granite black | similar to RAL 7026 |
|---------------|---------------------|

plastic, galvanised

| | |
|---------------|---------------------|
| Chrome glossy | similar to RAL 9023 |
| Chrome matt | similar to RAL 9006 |
| Gold glossy | |

Plastic, matt

| | |
|-------|---------------------|
| Brown | similar to RAL 8017 |
| Black | similar to RAL 9011 |



Frames



Frame 1gang

▶ 200

| Design | Order no. | PU |
|-------------------------------------|------------------|-----|
| brown matt | 8 1827 01 | 200 |
| grey glossy | 8 1827 07 | 200 |
| polar white glossy | 8 1827 09 | 200 |
| black matt | 8 1827 05 | 200 |
| brown matt | 9 1827 01 | 10 |
| grey glossy | 9 1827 07 | 10 |
| polar white glossy | 9 1827 09 | 10 |
| black matt | 9 1827 05 | 10 |
| granite black, silk matt, lacquered | 9 1827 45 | 10 |
| chrome glossy, galvanised | 9 1827 18 | 10 |
| chrome matt, galvanised | 9 1827 28 | 10 |
| gold glossy, galvanised | 9 1827 38 | 10 |
| stainless steel | 9 1827 04 | 10 |
| red glossy | 9 1827 86 | 10 |
| green glossy | 9 1827 87 | 10 |
| orange glossy | 9 1827 88 | 10 |



Frame, screw mounting

▶ 200

| Design | Order no. | PU |
|------------|------------------|----|
| black matt | 9 1827 10 | 10 |



Frame 2gang

▶ 200

| Design | Order no. | PU |
|--|------------------|-----|
| – for vertical and horizontal mounting | | |
| brown matt | 8 1826 11 | 100 |
| grey glossy | 8 1826 07 | 100 |
| black matt | 8 1826 15 | 100 |
| brown matt | 9 1826 11 | 2 |
| grey glossy | 9 1826 07 | 2 |
| polar white glossy | 9 1826 19 | 2 |
| black matt | 9 1826 15 | 2 |
| granite black, silk matt, lacquered | 9 1826 45 | 2 |
| chrome glossy, galvanised | 9 1826 18 | 2 |
| chrome matt, galvanised | 9 1826 28 | 2 |
| stainless steel | 9 1826 14 | 2 |
| gold glossy, galvanised | 9 1826 38 | 2 |



Frame 3gang

▶ 200

| Design | Order no. | PU |
|--|------------------|----|
| – for vertical and horizontal mounting | | |
| brown matt | 9 1819 11 | 2 |
| grey glossy | 9 1819 07 | 2 |
| polar white glossy | 9 1819 19 | 2 |
| black matt | 9 1819 15 | 2 |
| granite black, silk matt, lacquered | 9 1819 45 | 2 |

Frames with hinged cover



Frame with hinged cover

▶ 200

- without sealing
- for covering of socket outlets

| Design | Order no. | PU |
|-------------------------------------|------------------|-----|
| brown matt | 8 1828 01 | 200 |
| grey glossy | 8 1828 07 | 200 |
| polar white glossy | 8 1828 09 | 200 |
| black matt | 8 1828 05 | 200 |
| brown matt | 9 1828 01 | 10 |
| grey glossy | 9 1828 07 | 10 |
| polar white glossy | 9 1828 09 | 10 |
| black matt | 9 1828 05 | 10 |
| granite black, silk matt, lacquered | 9 1828 45 | 10 |
| chrome glossy, galvanised | 9 1828 18 | 10 |
| chrome matt, galvanised | 9 1828 28 | 10 |

IP44 applications



Marked items are only suitable for splash-protected IP44 installation when used in conjunction with the corresponding sealing accessories and Berker Integro module insert.



Frame with imprint "IP44"

▶ 200

Not suitable for switches/push-buttons with split rocker.

- without sealing
- for water-proof covering of rocker switches/rocker push-buttons

| Suitable for | Order no. | Page |
|--------------------------------|-----------|------------|
| Rocker switch | | from p. 54 |
| Rocker push-button | | from p. 58 |
| Sealing for IP 44 applications | | from p. 90 |

| Design | Order no. | PU |
|--------------------|------------------|----|
| brown matt | 9 1827 91 | 10 |
| grey glossy | 9 1827 97 | 10 |
| polar white glossy | 9 1827 99 | 10 |
| black matt | 9 1827 95 | 10 |



Frame with hinged cover and imprint "IP44"

▶ 200

- without sealing
- for waterproof covering of socket outlets

| Suitable for | Order no. | Page |
|--|-----------|------------|
| SCHUKO socket outlets | | from p. 22 |
| SCHUKO socket outlets with SNAP IN | | from p. 28 |
| Socket outlets with earthing pin | | from p. 40 |
| Sealing for IP 44 applications | | from p. 90 |
| Sealing IP44 for socket outlets with insulation-piercing terminals | | from p. 91 |

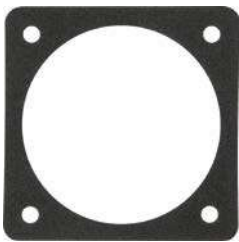
| Design | Order no. | PU |
|--------------------|------------------|-----|
| grey glossy | 8 1828 97 | 200 |
| polar white glossy | 8 1828 99 | 200 |
| black matt | 8 1828 95 | 200 |
| brown matt | 9 1828 91 | 10 |
| grey glossy | 9 1828 97 | 10 |
| polar white glossy | 9 1828 99 | 10 |
| black matt | 9 1828 95 | 10 |
| red glossy | 9 1828 86 | 10 |
| green glossy | 9 1828 90 | 10 |
| orange glossy | 9 1828 94 | 10 |



Frame with hinged cover and imprint "IP44", screw-on

- without sealing
- for waterproof covering of socket outlets

| Suitable for | Order no. | Page |
|----------------------------------|------------------|------------|
| SCHUKO socket outlets | | from p. 22 |
| Socket outlets with earthing pin | | from p. 40 |
| Sealing for IP 44 applications | | from p. 90 |
| Design | Order no. | PU |
| black matt | 8 1828 75 | 200 |
| grey glossy | 9 1828 77 | 10 |
| polar white glossy | 9 1828 79 | 10 |
| black matt | 9 1828 75 | 10 |



Sealing for IP 44 applications

Material thickness 2.5 mm
Cut-out Ø 46.5 mm

- for SCHUKO socket outlets and socket outlets with earthing pin (frame with hinged cover "IP 44" and contact protection box required!)
- for rocker switch/rocker push-button (frame IP 44 and contact protection box required!)

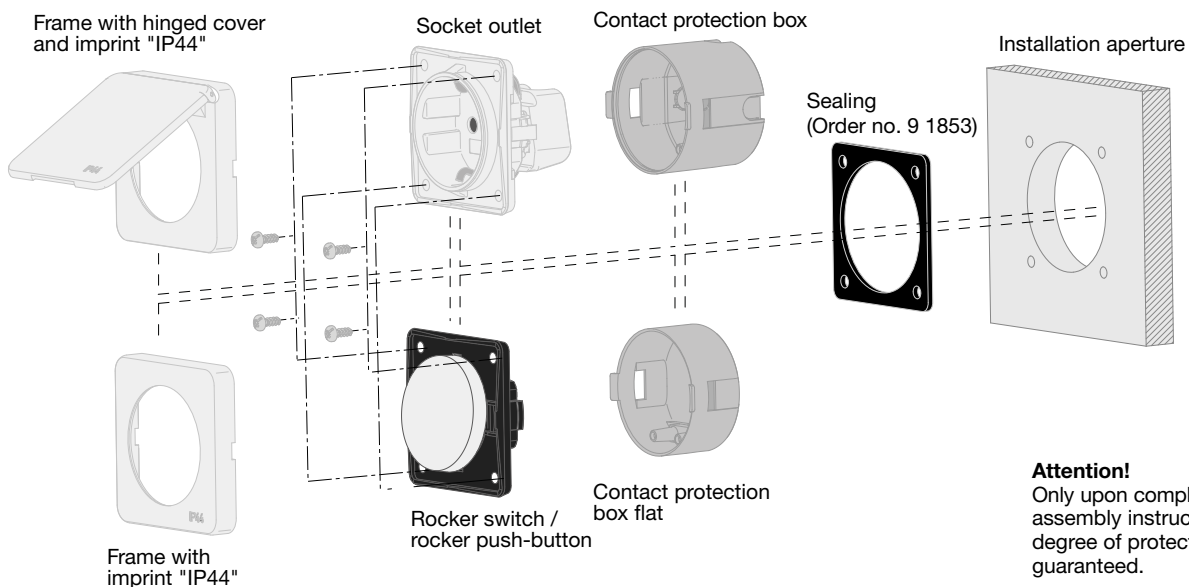
New sealing material:
Cellular rubber, closed cell (EPDM-S), permanently elastic whilst also higher strength. For optimum sealing effect and improved material behaviour during installation.

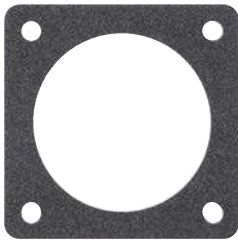
Caution!

Not suitable for socket outlets with insulation-piercing terminals.
Not suitable for switches/push-buttons with split rocker.

| Suitable for | Order no. | Page |
|--|---------------|------------|
| SCHUKO socket outlets with plug-in terminals | | from p. 22 |
| SCHUKO socket outlets with screw terminals | | from p. 23 |
| Socket outlets with earthing pin and screw terminals | | from p. 40 |
| Rocker switch | | from p. 54 |
| Rocker push-button | | from p. 58 |
| Frame with imprint "IP44" | | from p. 89 |
| Frame with hinged cover and imprint "IP44" | | from p. 89 |
| Design | Order no. | PU |
| black | 818 53 | 200 |
| black | 918 53 | 10 |

Assembly instructions of IP44 covers





Sealing IP44 for socket outlets with insulation-piercing terminals

Material thickness 2.5 mm
Cut-out Ø 41 mm

New sealing material:
Cellular rubber, closed cell (EPDM-S), permanently elastic whilst also higher strength. For optimum sealing effect and improved material behaviour during installation.

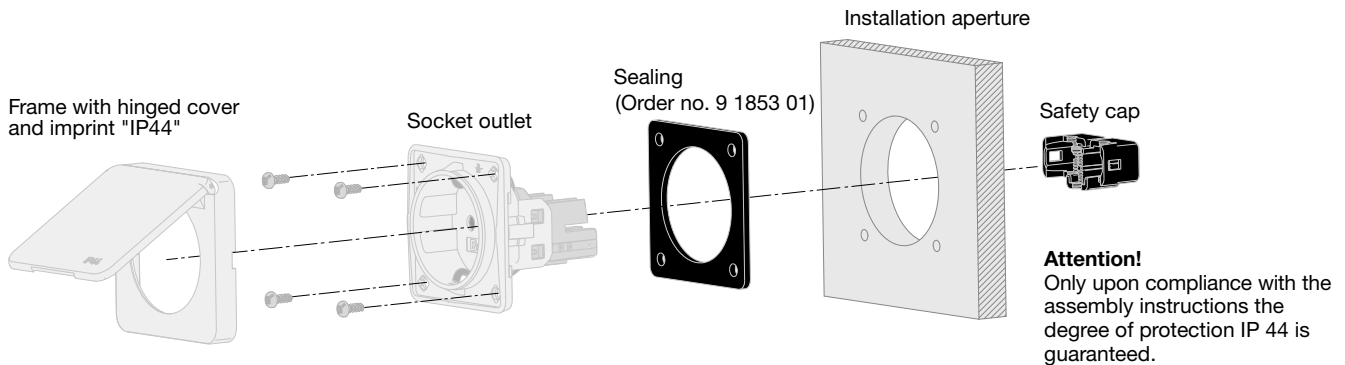
- for SCHUKO socket outlets with insulation-piercing terminals (frame with hinged cover "IP44" required!)
- for socket outlets with earthing pin and insulation-piercing terminals (frame with hinged cover "IP44" required!)

| Design | Order no. | Page |
|--------|------------------|--|
| black | 8 1853 01 | from p. 24 from p. 41 from p. 89 |
| black | 9 1853 01 | 10 |

| Suitable for | Order no. | Page |
|--|-----------|------------|
| SCHUKO socket outlets with insulation-piercing terminals | | from p. 24 |
| Socket outlets with earthing pin and insulation-piercing terminals | | from p. 41 |
| Frame with hinged cover and imprint "IP44" | | from p. 89 |

Assembly instructions for IP44 socket outlets with insulation-piercing terminals

Not suitable for contact protection boxes!



Berker integro
Design classic

Surface-mounted housing



Surface-mounted housing high

Dimensions (W x H x D) 59.5 x 59.5 x 41 mm

- with cable entry
- for mounting on combustible base surface
- to built-on installation of devices

▶ 200

| Design | Order no. | Page |
|------------------------------|------------------|------|
| without strain relief | | 66 |
| brown glossy | 9 1151 01 | 10 |
| grey glossy | 9 1151 07 | 10 |
| polar white glossy | 9 1151 09 | 10 |
| black glossy | 9 1151 05 | 10 |

| Suitable for | Order no. | Page |
|---------------------|-----------|------|
| Wire and duct entry | 1813 .. | 66 |



Surface-mounted housing flat

▶ 200

Dimensions (W x H x D)

59.5 x 59.5 x 16 mm

– for mounting on combustible base surface
– to built-on installation of switches and push-buttons

Design

Order no.

PU

without strain relief

brown glossy

9 1152 21

10

grey glossy

9 1152 27

10

polar white glossy

9 1152 29

10

black glossy

9 1152 25

10

with 1 strain relief

polar white glossy

8 1152 59

200

polar white glossy

9 1152 59

10

black glossy

9 1152 55

10

with 2 strain reliefs

polar white glossy

9 1152 69

10

black glossy

9 1152 65

10



Surface-mounted spacer ring

▶ 200

Dimensions (W x H x D)

59.5 x 59.5 x 10 mm

– for the reduction of the installation depth of the devices and surf.-mount. of switches and push-b.

Design

Order no.

PU

brown matt

9 1825 11

10

grey matt

9 1825 06

10

polar white matt

9 1825 12

10

black matt

9 1825 15

10

Berker integro design pure





Berker integro
Design pure

Berker integro design pure

The purist for built-in installations. Consistently clear, angular and with an absolutely planar surface, Berker integro remains modern and compact. Therefore it is the ideal component for an aesthetic ambiance. The granite-black, silk-matt lacquered design, guarantees a special operating experience. An innovative refined surface lacquer also offers an exceptional surface-feel for connoisseurs.



04

Page

Frames

100

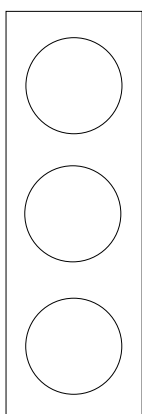
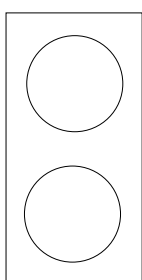
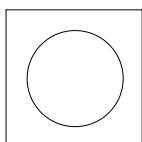
Surface-mounted housing

100

Product examples

Berker integro

design pure



Dimensions

Frame 1-3gang (W x H)
1-gang: 59.5 x 59.5 mm
2-gang: 59.5 x 119 mm
3-gang: 59.5 x 178.5 mm





Frames/Covers/ Central inserts

Plastic, glossy

polar white similar to RAL 9010
black similar to RAL 9005

Plastic, galvanised

chrome glossy similar to RAL 9023
chrome matt similar to RAL 9006

Plastic, lacquered

granite black, silk matt similar to RAL 7026
stainless steel similar to RAL 9022

Frames



Frame 1gang

▶ 200

| Design | Order no. | PU |
|-------------------------------------|---------------------|----|
| polar white glossy | 9 1975 25 09 | 10 |
| black glossy | 9 1975 25 10 | 10 |
| granite black, silk matt, lacquered | 9 1975 25 45 | 10 |
| chrome matt, galvanised | 9 1975 25 28 | 10 |
| chrome glossy, galvanised | 9 1975 25 18 | 10 |
| stainless steel matt, lacquered | 9 1975 25 24 | 10 |



Frame 2gang

▶ 200

– for vertical and horizontal mounting

| Design | Order no. | PU |
|-------------------------------------|---------------------|----|
| polar white glossy | 9 1976 25 09 | 2 |
| black glossy | 9 1976 25 10 | 2 |
| granite black, silk matt, lacquered | 9 1976 25 45 | 2 |
| chrome matt, galvanised | 9 1976 25 28 | 2 |
| chrome glossy, galvanised | 9 1976 25 18 | 2 |
| stainless steel matt, lacquered | 9 1976 25 24 | 2 |



Frame 3gang

▶ 200

– for vertical and horizontal mounting

| Design | Order no. | PU |
|-------------------------------------|---------------------|----|
| polar white glossy | 9 1978 25 09 | 2 |
| black glossy | 9 1978 25 10 | 2 |
| granite black, silk matt, lacquered | 9 1978 25 45 | 2 |
| chrome matt, galvanised | 9 1978 25 28 | 2 |
| chrome glossy, galvanised | 9 1978 25 18 | 2 |
| stainless steel matt, lacquered | 9 1978 25 24 | 2 |

Frames with hinged cover



Frame with hinged cover

▶ 200

– for covering of socket outlets

| Design | Order no. | PU |
|-------------------------------------|---------------------|----|
| polar white glossy | 9 1828 25 09 | 10 |
| black glossy | 9 1828 25 10 | 10 |
| granite black, silk matt, lacquered | 9 1828 25 45 | 10 |
| chrome matt, galvanised | 9 1828 25 28 | 10 |
| chrome glossy, galvanised | 9 1828 25 18 | 10 |
| stainless steel matt, lacquered | 9 1828 25 24 | 10 |

Surface-mounted housing



Surface-mounted housing high

▶ 200

Dimensions (W x H x D) 59.5 x 59.5 x 41 mm – with cable entry
– for mounting on combustible base surface
– to built-on installation of devices

Suitable for Wire and duct entry Order no. 1813 .. Page 66

| Design | Order no. | PU |
|------------------------------|---------------------|----|
| without strain relief | | |
| polar white glossy | 9 1151 25 09 | 10 |
| black glossy | 9 1151 25 10 | 10 |
| with strain relief | | |
| polar white glossy | 9 1151 25 19 | 10 |
| black glossy | 9 1151 25 20 | 10 |





Surface-mounted housing flat

▶ 200

Dimensions (W x H x D) 59.5 x 59.5 x 16 mm – for mounting on combustible base surface
– to built-on installation of switches and push-buttons

Design Order no. PU

without strain relief
polar white glossy **9 1152 25 29** 10

with 1 strain relief
polar white glossy **9 1152 25 59** 10



with 2 strain reliefs
polar white glossy **9 1152 25 69** 10



Surface-mounted spacer ring

▶ 200

Dimensions (W x H x D) 59.5 x 59.5 x 10 mm – for the reduction of the installation depth of the devices and surf.-mount. of switches and push-b.

Design Order no. PU

polar white glossy **9 1825 25 12** 10

black glossy **9 1825 25 10** 10

chrome matt, lacquered **9 1825 25 68** 10

stainless steel matt, lacquered **9 1825 25 24** 10

Berker design twin



Berker design twin

Functional and flexible, that's the design twin from Berker! This series can be used anywhere where extremely shallow installation depths and minimal dimensions are important. This timeless design allows you to integrate the design twin into any modern ambiance, and the decor rings offer you the option of integrating articles from the integro range into the design twin.



05

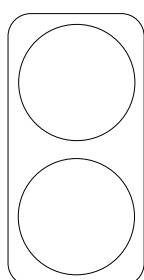
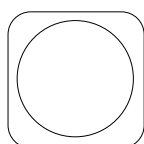
Page

| | |
|----------------------------------|-----|
| SCHUKO socket outlets | 108 |
| Socket outlets with earthing pin | 109 |
| Switch | 110 |
| Frames | 110 |

Product examples

Berker

design twin



Dimensions

Frames 1gang and 2gang (W x H)

1-gang: 59.5 x 59.5 mm

2-gang: 59.5 x 119 mm





Frames/inserts

Plastic, glossy

black similar to RAL 9005
Polar white similar to RAL 9010

Plastic, lacquered

Chrome matt similar to RAL 9006

plastic, galvanised

Chrome matt similar to RAL 9006
Chrome glossy similar to RAL 9023



SCHUKO socket outlets



SCHUKO socket outlet

- screw terminals



Rated voltage 250 V~
Rated current 16 A

Connection terminals according to IEC 60884-1

Suitable for

Contact protection box Ø 45 mm
Contact protection box Ø 49 mm
Contact protection box 2gang
Contact protection box 3gang

Order no.

9 1820 ..
918 8 ..
9 191 ..
919 33

Page

63
63
64
64

| Design | Order no. | PU |
|--------------------|------------------|-----|
| polar white glossy | 8 4196 09 | 200 |
| black glossy | 8 4196 05 | 200 |
| polar white glossy | 9 4196 09 | 10 |
| black glossy | 9 4196 05 | 10 |



SCHUKO socket outlet

- enhanced contact protection
- screw terminals



Rated voltage 250 V~
Rated current 16 A

Connection terminals according to IEC 60884-1
Enhanced contact protection according to IEC 60884-1

Suitable for

Contact protection box Ø 45 mm
Contact protection box Ø 49 mm
Contact protection box 2gang
Contact protection box 3gang

Order no.

9 1820 ..
918 8 ..
9 191 ..
919 33

Page

63
63
64
64

| Design | Order no. | PU |
|--------------------|------------------|----|
| polar white glossy | 9 4198 09 | 10 |
| black glossy | 9 4198 05 | 10 |



SCHUKO socket outlet with hinged cover

- screw terminals



Rated voltage 250 V~
Rated current 16 A

Connection terminals according to IEC 60884-1

- when opening hinged cover, it can be arrested in end position

Suitable for

Contact protection box Ø 45 mm
Contact protection box Ø 49 mm
Contact protection box 2gang
Contact protection box 3gang

Order no.

9 1820 ..
918 8 ..
9 191 ..
919 33

Page

63
63
64
64

| Design | Order no. | PU |
|---|------------------|----|
| polar white glossy | 9 4197 09 | 10 |
| black glossy | 9 4197 05 | 10 |
| black glossy, hinged cover in chrome matt, galvanised | 9 4197 28 | 10 |





SCHUKO socket outlet with hinged cover

- enhanced contact protection
- screw terminals



Rated voltage 250 V~
Rated current 16 A

Connection terminals according to IEC 60884-1
Enhanced contact protection according to IEC 60884-1

- when opening hinged cover, it can be arrested in end position

| Suitable for | Order no. | Page |
|--------------------------------|-----------|------|
| Contact protection box Ø 45 mm | 9 1820 .. | 63 |
| Contact protection box Ø 49 mm | 918 8 .. | 63 |
| Contact protection box 2gang | 9 191 .. | 64 |
| Contact protection box 3gang | 919 33 | 64 |

| Design | Order no. | PU |
|---|------------------|----|
| polar white glossy | 9 4199 09 | 10 |
| black glossy | 9 4199 05 | 10 |
| black glossy, hinged cover in chrome glossy, galvanised | 9 4199 18 | 10 |
| black glossy, hinged cover in chrome matt, galvanised | 9 4199 28 | 10 |



Socket outlets with earthing pin



Socket outlet with earthing pin

- enhanced contact protection
- screw terminals



Rated voltage 250 V~
Rated current 16 A

Connection terminals according to IEC 60884-1
Enhanced contact protection according to IEC 60884-1

- 2pole + earth

| Suitable for | Order no. | Page |
|--------------------------------|-----------|------|
| Contact protection box Ø 45 mm | 9 1820 .. | 63 |
| Contact protection box Ø 49 mm | 918 8 .. | 63 |
| Contact protection box 2gang | 9 191 .. | 64 |
| Contact protection box 3gang | 919 33 | 64 |

| Design | Order no. | PU |
|--------------------|------------------|----|
| polar white glossy | 9 6198 09 | 10 |
| black glossy | 9 6198 05 | 10 |



Socket outlet with earthing pin and hinged cover

- enhanced contact protection
- screw terminals



Rated voltage 250 V~
Rated current 16 A

Connection terminals according to IEC 60884-1
Enhanced contact protection according to IEC 60884-1

- when opening hinged cover, it can be arrested in end position
- 2pole + earth

| Suitable for | Order no. | Page |
|--------------------------------|-----------|------|
| Contact protection box Ø 45 mm | 9 1820 .. | 63 |
| Contact protection box Ø 49 mm | 918 8 .. | 63 |
| Contact protection box 2gang | 9 191 .. | 64 |
| Contact protection box 3gang | 919 33 | 64 |

| Design | Order no. | PU |
|---|------------------|----|
| black glossy | 9 6199 05 | 10 |
| black glossy, hinged cover in chrome glossy, galvanised | 9 6199 18 | 10 |
| black glossy, hinged cover in chrome matt, galvanised | 9 6199 28 | 10 |



Switch



On/off switch

| | | | | |
|---------------------------|------------|--------------------------------------|------------------|-------------|
| Rated voltage | 250 V~ | – with screw terminals | | |
| Switching current | 10 AX | | | |
| Power, LED | max. 100 W | | | |
| | | Suitable for | Order no. | Page |
| | | Contact protection box Ø 45 mm, flat | 9 1820 0 .. | 63 |
| | | Contact protection box Ø 45 mm | 918 20 .. | 63 |
| | | Contact protection box Ø 49 mm | 918 8 .. | 63 |
| | | Contact protection box 2gang | 9 191 .. | 64 |
| | | Contact protection box 3gang | 919 33 | 64 |
| | | Optional | | |
| | | Frame, 1gang, with 19 mm edge | 9 1943 .. | 111 |
| | | Frame 2gang, with 19 mm edge | 9 1944 0 .. | 111 |
| Design | | Order no. | | PU |
| polar white glossy | | 8 3681 09 | | 200 |
| black glossy | | 8 3681 05 | | 200 |
| polar white glossy | | 9 3681 09 | | 10 |
| black glossy | | 9 3681 05 | | 10 |
| chrome glossy, galvanised | | 9 3681 18 | | 10 |
| chrome matt, lacquered | | 9 3681 68 | | 10 |



Change-over switch

| | | | | |
|---------------------------|------------|--------------------------------------|------------------|-------------|
| Rated voltage | 250 V~ | – with screw terminals | | |
| Switching current | 10 AX | | | |
| Power, LED | max. 100 W | | | |
| | | Suitable for | Order no. | Page |
| | | Contact protection box Ø 45 mm, flat | 9 1820 0 .. | 63 |
| | | Contact protection box Ø 45 mm | 918 20 .. | 63 |
| | | Contact protection box Ø 49 mm | 918 8 .. | 63 |
| | | Contact protection box 2gang | 9 191 .. | 64 |
| | | Contact protection box 3gang | 919 33 | 64 |
| | | Optional | | |
| | | Frame, 1gang, with 19 mm edge | 9 1943 .. | 111 |
| | | Frame 2gang, with 19 mm edge | 9 1944 0 .. | 111 |
| Design | | Order no. | | PU |
| polar white glossy | | 9 3686 09 | | 10 |
| black glossy | | 9 3686 05 | | 10 |
| chrome glossy, galvanised | | 9 3686 18 | | 10 |
| chrome matt, galvanised | | 9 3686 28 | | 10 |



On/off switch 2pole with imprint "0"

| | | | | |
|--------------------|------------|--------------------------------------|------------------|-------------|
| Rated voltage | 250 V~ | – with screw terminals | | |
| Switching current | 10 AX | | | |
| Power, LED | max. 100 W | | | |
| | | Suitable for | Order no. | Page |
| | | Contact protection box Ø 45 mm, flat | 9 1820 0 .. | 63 |
| | | Contact protection box Ø 45 mm | 918 20 .. | 63 |
| | | Contact protection box Ø 49 mm | 918 8 .. | 63 |
| | | Contact protection box 2gang | 9 191 .. | 64 |
| | | Contact protection box 3gang | 919 33 | 64 |
| | | Optional | | |
| | | Frame, 1gang, with 19 mm edge | 9 1943 .. | 111 |
| | | Frame 2gang, with 19 mm edge | 9 1944 0 .. | 111 |
| Design | | Order no. | | PU |
| polar white glossy | | 9 3682 09 | | 10 |
| black glossy | | 9 3682 05 | | 10 |



Frames



Frame 1gang

| | | | | |
|---------------------------|--|------------------|--|----|
| Design | | Order no. | | PU |
| polar white glossy | | 9 1941 09 | | 10 |
| black glossy | | 9 1941 05 | | 10 |
| chrome glossy, galvanised | | 9 1941 18 | | 10 |
| chrome matt, galvanised | | 9 1941 28 | | 10 |



Frame 2gang

– for vertical and horizontal mounting

| Design | Order no. | PU |
|---------------------------|------------------|----|
| polar white glossy | 9 1942 09 | 2 |
| black glossy | 9 1942 05 | 2 |
| chrome glossy, galvanised | 9 1942 18 | 2 |
| chrome matt, galvanised | 9 1942 28 | 2 |



Frame, 1gang, with 19 mm edge

Reduction of installation depth by 10 mm
Use only in conjunction with spacer ring order no. 91936

– for the reduction of the installation depth of the devices and surf.-mount. of switches and push-b.

| Suitable for Switch | Order no. | Page from p. |
|--|-----------|--------------|
| Spacer ring for frames with 19 mm edge | 919 36 | 110 111 |

| Design | Order no. | PU |
|---------------------------|------------------|----|
| polar white glossy | 9 1943 09 | 10 |
| black glossy | 9 1943 05 | 10 |
| chrome glossy, galvanised | 9 1943 18 | 10 |



Frame 2gang, with 19 mm edge

Reduction of installation depth by 10 mm
Use only in conjunction with spacer ring order no. 91936

– for vertical and horizontal mounting
– for the reduction of the installation depth of the devices and surf.-mount. of switches and push-b.

| Suitable for Switch | Order no. | Page from p. |
|--|-----------|--------------|
| Spacer ring for frames with 19 mm edge | 919 36 | 110 111 |

| Design | Order no. | PU |
|--------------------|------------------|----|
| polar white glossy | 9 1944 09 | 2 |
| black glossy | 9 1944 05 | 2 |



Spacer ring for frames with 19 mm edge

Reduction of installation depth by 10 mm

– for the reduction of the installation depth of the devices and surf.-mount. of switches and push-b.

| Suitable for | Order no. | Page |
|-------------------------------|-------------|------|
| Frame, 1gang, with 19 mm edge | 9 1943 .. | 111 |
| Frame 2gang, with 19 mm edge | 9 1944 0 .. | 111 |

| Design | Order no. | PU |
|--------------|---------------|----|
| black glossy | 919 36 | 10 |



Adapter ring for twin/twin-Box

For use with all devices from the Berker Integro range with the exception of:
- rotary dimmers and rotary potentiometers
- USB 230 V charging sockets
- socket outlets with British Standard earthing contact
- socket outlets with insulation-piercing terminals

| Design | Order no. | PU |
|----------------------------|------------------|----|
| anthracite matt, lacquered | 9 1969 06 | 10 |
| grey glossy | 9 1969 07 | 10 |
| polar white glossy | 9 1969 09 | 10 |
| black glossy | 9 1969 05 | 10 |
| chrome glossy | 9 1969 18 | 10 |

Berker twin-box





Berker twin-box

Corners present a special challenge with each electrical installation. Normal switches and sockets cannot just be mounted here – the Berker twin-box designed as a 2-gang combination means that corner solutions are no longer a problem. The twin-box allows quick installations in any corner. And the entire range of functional Berker integro module inserts is available for equipping the Berker twin-box.



06

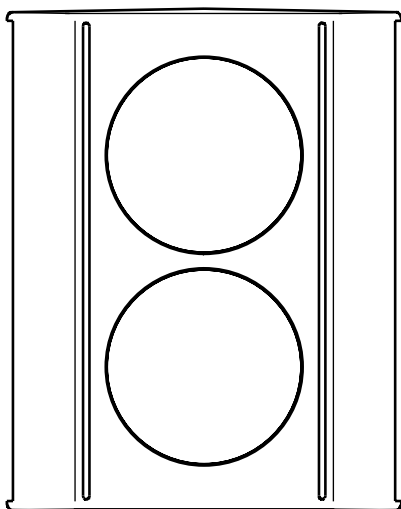
Page

| | |
|---|-----|
| Combinations socket outlets | 121 |
| Combination USB charging socket/ socket outlet | 122 |
| Combinations switch/socket outlet | 122 |
| Accessories | 125 |

Product examples

Berker

twin-box



Dimensions

For dimensions and further technical data please refer to Page 212





Combinations/empty housing/ adapter rings

Plastic, glossy

Polar white similar to RAL 9010
Grey similar to RAL 7038
Black similar to RAL 9005

Plastic, lacquered

Anthracite similar to RAL 7021
Chrome matt similar to RAL 9006

Plastic, galvanised

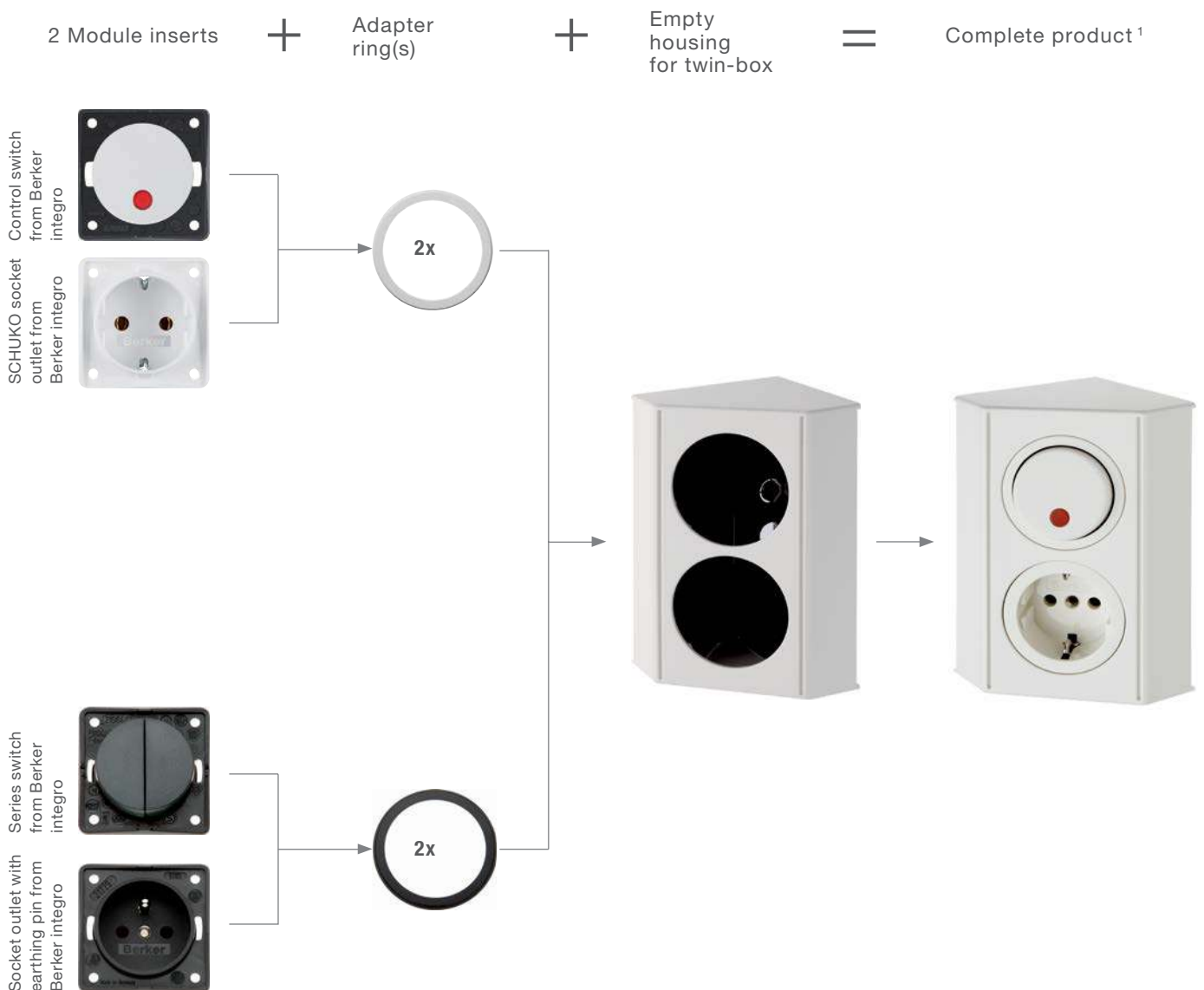
Chrome matt similar to RAL 9006

Berker twin-box

Individual appliance combination

Berker twin-box can be individually combined. The large selection of matching Berker integro Module inserts offers a wealth of combination options. Simply install two Module inserts, each with an adapter ring, in the

desired colour (order no. 9 1969..) in an empty housing for Twin-Box (order no. 1948 9..). The scope of delivery of the housing contains flat-headed screws, size M3 for rear-side insert fastening and a strain relief.



Additional basic variants module inserts:
 – international socket outlets
 – Rocker push-buttons

i Only combine either mains voltage or low voltage appliances in a twin-box!

¹Complete product only shown as an example

Electrical resources in rooms with bathtubs or showers

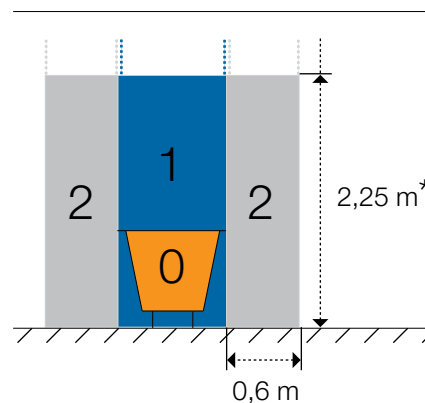
Spaces in apartments or hotel rooms with a bathtub or shower require special safety measures during the installation and use of electrical resources (e.g. switches, socket outlets). Although not designated as wet

rooms, areas near bathtubs and showers represent a greater potential for danger.

To prevent the risk of an electric shock, three areas with different protection requirements are specified:

Areas with bathtubs

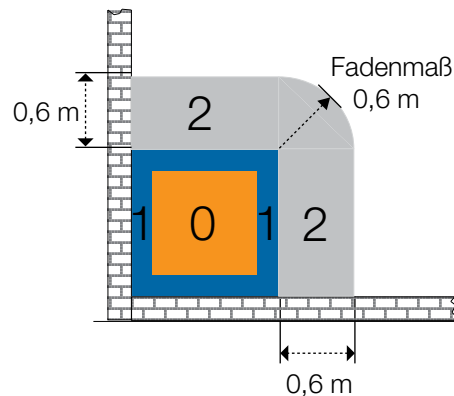
- Area 0
- Area 1
- Area 2



* Areas 1 and 2 expanded upwards to the highest water outlet, if position above 2.25 m

Areas with showers

- Area 0
- Area 1
- Area 2



No 230 V sockets may be installed in any of the three areas.

Outside the areas, the installation of 230 V-resources (e.g. mounted in a Berker twin-box) is permitted, providing that the corresponding circuit is secured via RCD (error current safety device with a rated different current $I_{\Delta N} \leq 30 \text{ mA}$). No additional water protection

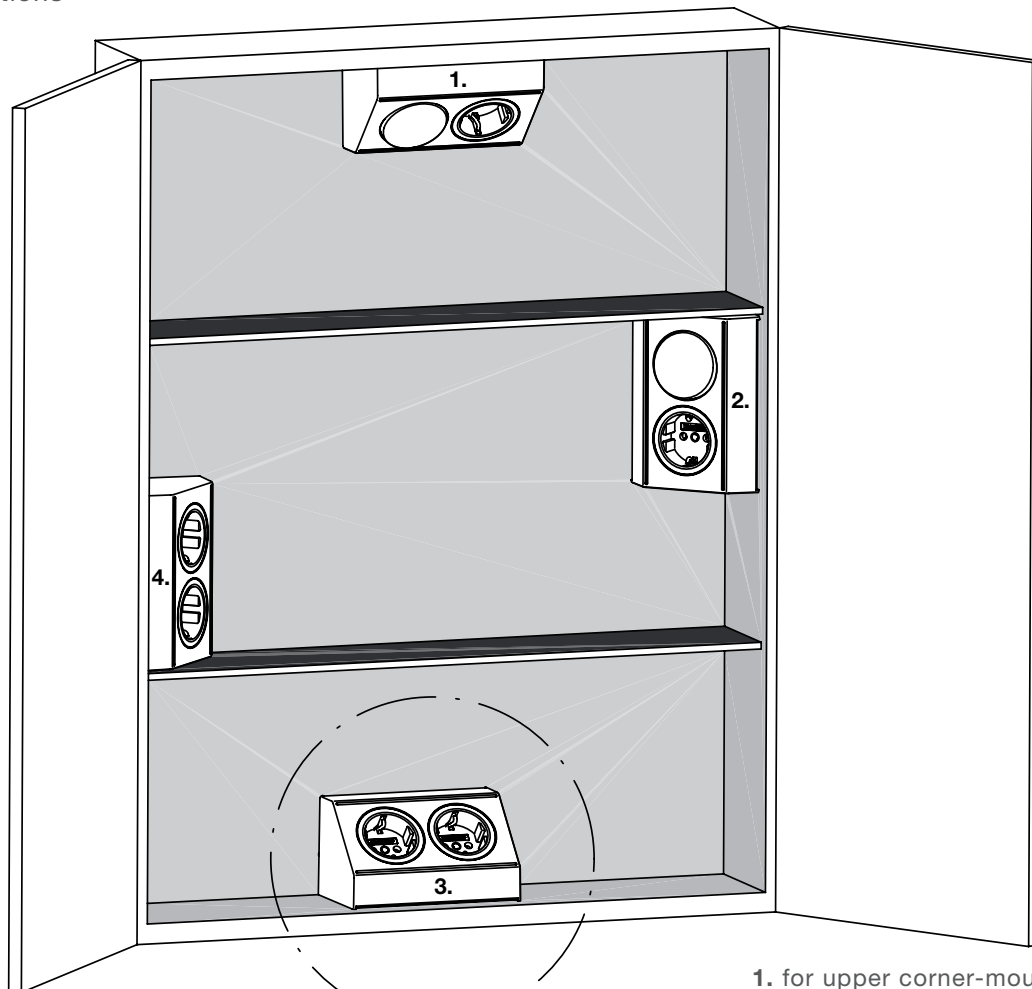
is required as with, for example, devices with degree of protection IP44. In order to prevent the ingress of water into socket outlets and switches, we recommend using IP44 products outside the three areas.

i The exact limits of the areas differ according to the country of use. Therefore, please refer to the current country-specific standards for the appli-

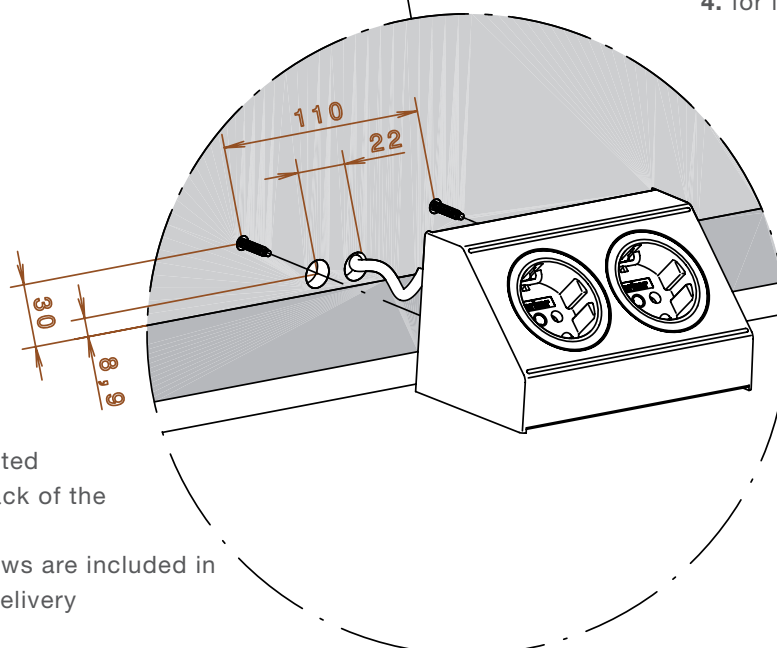
cable regulations. The construction regulations here apply to Germany VDE 0100-701.

Berker twin-box

Mounting orientations




1. for upper corner-mounting
2. for right corner-mounting
3. for lower corner-mounting
4. for left corner-mounting



- Cables are routed through the back of the furniture
- Fastening screws are included in the scope of delivery

Combinations socket outlets



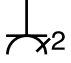

twin-box with SCHUKO socket outlets ▶ 201

- screw terminals
- with fixing screws
- housings in polar white glossy
- socket outlets in polar white glossy
- pre-assembled, with 3-core cable
- welded wires
- for vertical corner-mounting
- for screw cover on backside

Lead 3 x 1.5 mm²
Line length ≈ 1.5 m
Rated current 16 A
Rated voltage 250 V~

Connection terminals according to IEC 60884-1

Design for left corner-mounting Order no. **1948 02** PU 1



twin-box with SCHUKO socket outlets ▶ 201

- screw terminals
- with fixing screws
- housing in chrome matt, lacquered
- socket outlets in black glossy
- pre-assembled, with 3-core cable
- welded wires
- for vertical corner-mounting
- for screw cover on backside

Lead 3 x 1.5 mm²
Line length ≈ 1.5 m
Rated current 16 A
Rated voltage 250 V~

Connection terminals according to IEC 60884-1

Design for right corner-mounting Order no. **1948 18** PU 1

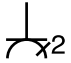

twin-box with SCHUKO socket outlets ▶ 201

- screw terminals
- with fixing screws
- housing in chrome matt, lacquered
- socket outlets in black glossy
- pre-assembled, with 3-core cable
- welded wires
- for horizontal corner-mounting
- for screw cover on backside

Lead 3 x 1.5 mm²
Line length ≈ 1.5 m
Rated current 16 A
Rated voltage 250 V~

Connection terminals according to IEC 60884-1

Design for lower corner-mounting Order no. **1948 30** PU 1

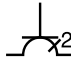
twin-box with socket outlets with earthing pin ▶ 201

- enhanced contact protection
- screw terminals
- with fixing screws
- housing in chrome matt, lacquered
- socket outlets in black glossy
- pre-assembled, with 3-core cable
- welded wires
- for vertical corner-mounting
- for screw cover on backside

Lead 3 x 2.5 mm²
Line length ≈ 1.5 m
Rated current 16 A
Rated voltage 250 V~

Connection terminals according to IEC 60884-1
Enhanced contact protection according to IEC 60884-1

Design for left corner-mounting Order no. **1948 25** PU 24





twin-box with socket outlets with earthing pin

▶ 201

- enhanced contact protection
- screw terminals



| | |
|---------------|-------------------------|
| Lead | 3 x 2.5 mm ² |
| Line length | ≈ 1.5 m |
| Rated current | 16 A |
| Rated voltage | 250 V~ |

- with fixing screws
- housing in chrome matt, lacquered
- socket outlets in black glossy
- pre-assembled, with 3-core cable
- welded wires
- for vertical corner-mounting
- for screw cover on backside

Connection terminals according to IEC 60884-1
Enhanced contact protection according to IEC 60884-1



Design
for right corner-mounting

Order no.
1948 19

PU
24

Combination USB charging socket/socket outlet



twin-box with USB socket outlet/SCHUKO socket outlet

▶ 201

- screw terminals



| | |
|--|-------------------------|
| Input voltage | 230 V~ (-15%/+10%) |
| Output voltage | 5 V= (± 5 %) |
| Output current per socket | max. 3 A |
| Output current when operating both sockets (total) | max. 3 A |
| Lead | 3 x 1.5 mm ² |
| Line length | ≈ 1.5 m |
| Rated voltage socket outlet | 230 V~ |
| Rated current socket outlet | 16 A |

- housing in chrome matt, lacquered
- socket outlets and adapter rings in anthracite, matt
- for charging mobile end devices via USB cable
- with 2 USB sockets type A
- pre-assembled, with 3-core cable
- welded wires
- for vertical corner-mounting
- for screw cover on backside
- with fixing screws

USB connections according to IEC 62680-3

Design
for right corner-mounting

Order no.
1948 29

PU
1

Combinations switch/socket outlet



twin-box with on/off switch/socket outlet SCHUKO

▶ 201

- screw terminals



| | |
|---------------------|--------------------------|
| Lead | 3 x 1.5 mm ² |
| Line length | ≈ 1.5 m |
| Rated current | 16 A |
| Rated voltage | 250 V~ |
| Light fitting cable | 2 x 0.75 mm ² |
| Power, LED | max. 100 W |
| Switching current | 10 AX |

- with fixing screws
- housings in polar white glossy
- socket outlet and switch in polar white glossy
- pre-assembled, with 3-core lead and 2-core light fitting wire
- welded wires
- for vertical corner-mounting
- for screw cover on backside

Connection terminals according to IEC 60884-1

Design
for right corner-mounting

Order no.
1948 08

PU
1



twin-box with on/off switch/socket outlet SCHUKO

▶ 201

- screw terminals



| | |
|---------------------|--------------------------|
| Lead | 3 x 1.5 mm ² |
| Line length | ≈ 1.5 m |
| Rated current | 16 A |
| Rated voltage | 250 V~ |
| Light fitting cable | 2 x 0.75 mm ² |
| Power, LED | max. 100 W |
| Switching current | 10 AX |

- with fixing screws
- housing in chrome matt, lacquered
- switches in chrome matt, lacquered
- socket outlet in black glossy
- pre-assembled, with 3-core lead and 2-core light fitting wire
- welded wires
- for vertical corner-mounting
- for screw cover on backside

Connection terminals according to IEC 60884-1

| | | |
|---------------------------|----------------|----|
| Design | Order no. | PU |
| for right corner-mounting | 1948 13 | 1 |



twin-box with on/off switch/socket outlet SCHUKO

▶ 201

- screw terminals



| | |
|---------------------|--------------------------|
| Lead | 3 x 1.5 mm ² |
| Line length | ≈ 1.5 m |
| Rated current | 16 A |
| Rated voltage | 250 V~ |
| Light fitting cable | 3 x 0.75 mm ² |
| Power, LED | max. 100 W |
| Switching current | 10 AX |

- with fixing screws
- housing in chrome matt, lacquered
- switches in chrome matt, lacquered
- socket outlet in black glossy
- confectioned, with 3-core lead and 3-core light fitting wire
- welded wires
- for vertical corner-mounting
- for screw cover on backside

Connection terminals according to IEC 60884-1

| | | |
|---------------------------|----------------|----|
| Design | Order no. | PU |
| for right corner-mounting | 1948 17 | 1 |



twin-box with on/off switch/socket outlet SCHUKO

▶ 201

- screw terminals



| | |
|---------------------|-------------------------|
| Lead | 3 x 1.5 mm ² |
| Line length | ≈ 1.5 m |
| Rated current | 16 A |
| Rated voltage | 250 V~ |
| Light fitting cable | 3 x 1.5 mm ² |
| Power, LED | max. 100 W |
| Switching current | 10 AX |

- with fixing screws
- housing in chrome matt, lacquered
- switches in chrome matt, lacquered
- socket outlet in black glossy
- confectioned, with 3-core lead and 3-core light fitting wire
- welded wires
- for vertical corner-mounting
- for screw cover on backside

Connection terminals according to IEC 60884-1

| | | |
|---------------------------|----------------|----|
| Design | Order no. | PU |
| for right corner-mounting | 1948 27 | 24 |



twin-box with on/off switch/socket outlet with earthing pin

▶ 201

- enhanced contact protection
- screw terminals



| | |
|---------------------|--------------------------|
| Lead | 3 x 1.5 mm ² |
| Line length | ≈ 1.5 m |
| Rated current | 16 A |
| Rated voltage | 250 V~ |
| Light fitting cable | 2 x 0.75 mm ² |
| Power, LED | max. 100 W |
| Switching current | 10 AX |

- with fixing screws
- housing in chrome matt, lacquered
- switches in chrome matt, lacquered
- socket outlet in black glossy
- pre-assembled, with 3-core lead and 2-core light fitting wire
- welded wires
- for vertical corner-mounting
- for screw cover on backside

Connection terminals according to IEC 60884-1
Enhanced contact protection according to IEC 60884-1

| | | |
|---------------------------|----------------|----|
| Design | Order no. | PU |
| for right corner-mounting | 1948 20 | 1 |



twin-box with on/off switch/socket outlet with earthing pin

▶ 201

- enhanced contact protection
- screw terminals



| | |
|---------------------|-------------------------|
| Lead | 3 x 2.5 mm ² |
| Line length | ≈ 1.5 m |
| Rated current | 16 A |
| Rated voltage | 250 V~ |
| Light fitting cable | 3 x 1.5 mm ² |
| Power, LED | max. 100 W |
| Switching current | 10 AX |

- with fixing screws
- housing in chrome matt, lacquered
- switches in chrome matt, lacquered
- socket outlet in black glossy
- confectioned, with 3-core lead and 3-core light fitting wire
- welded wires
- for vertical corner-mounting
- for screw cover on backside

Connection terminals according to IEC 60884-1
Enhanced contact protection according to IEC 60884-1

| | | |
|---------------------------|----------------|----|
| Design | Order no. | PU |
| for right corner-mounting | 1948 26 | 1 |



twin-box with on/off switch/socket outlet with earthing pin

▶ 201

- enhanced contact protection
- screw terminals



| | |
|---------------------|-------------------------|
| Lead | 3 x 2.5 mm ² |
| Line length | ≈ 1.5 m |
| Rated current | 16 A |
| Rated voltage | 250 V~ |
| Light fitting cable | 3 x 2.5 mm ² |
| Power, LED | max. 100 W |
| Switching current | 10 AX |

- with fixing screws
- housing in chrome matt, lacquered
- switches in chrome matt, lacquered
- socket outlet in black glossy
- confectioned, with 3-core lead and 3-core light fitting wire
- welded wires
- for vertical corner-mounting
- for screw cover on backside

Connection terminals according to IEC 60884-1
Enhanced contact protection according to IEC 60884-1

| | | |
|---------------------------|----------------|----|
| Design | Order no. | PU |
| for right corner-mounting | 1948 16 | 1 |

Accessories



Empty housing for design twin/twin box

▶ 201

Appliance opening Ø

51.5 mm

– for vertical and horizontal mounting

– floor and rear wall in black

– with strain relief

– with fixing and mounting screws

– with 2 contact protection boxes for insulation protection

Caution!

Use only with intermediate rings 1127 09, 1127 62 and 1127 65.

| Design | Order no. | PU |
|----------------------------|----------------|----|
| anthracite matt, lacquered | 1948 93 | 1 |
| grey glossy | 1948 98 | 1 |
| polar white glossy | 1948 99 | 1 |
| chrome matt, lacquered | 1948 94 | 1 |
| chrome matt, galvanised | 1948 96 | 1 |



Adapter ring for design twin/twin box

For use with all devices from the Berker integro range with the exception of:

- rotary dimmers and rotary potentiometers
- USB 230 V charging sockets
- socket outlets with British Standard earthing contact
- socket outlets with insulation-piercing terminals

| Design | Order no. | PU |
|----------------------------|------------------|----|
| anthracite matt, lacquered | 9 1969 06 | 10 |
| grey glossy | 9 1969 07 | 10 |
| polar white glossy | 9 1969 09 | 10 |
| black glossy | 9 1969 05 | 10 |
| chrome glossy | 9 1969 18 | 10 |

07 Berker integro
box



128

08 Berker
Built-in socket outlets



136

09 Berker
Medicine and laboratory technology



152

10 Berker
Solutions



180

11 Technical information

194

Berker integro box





Berker integro box

Compact installation dimensions combined with various fastening options, offer the user a diverse range of easy options to integrate the Berker integro box. Multiple combination options of frame versions from the design flow range, in combination with the complete portfolio of Berker integro Module inserts, offer a wide range of customised installation options.



07

Page

| | |
|---------------------------------------|-----|
| Integro Box with Schuko socket outlet | 134 |
| Installation sets | 134 |

Product examples

Berker integro

box

Dimensions

For dimensions and further technical data please refer to Page 218



Berker integro box with Schuko socket outlet and frame, polar white glossy



Berker integro box with Schuko socket outlet, hinged cover and on/off switch, polar white glossy



integro box/empty housing

Plastic, glossy
polar white similar to RAL 9010

Plastic, lacquered
Chrome matt similar to RAL 9006

integro box with Schuko socket outlet



integro box with SCHUKO socket outlet

| | | |
|---------------|-------------------------|--|
| Rated voltage | 250 V~ | – with SCHUKO socket outlet, pre-assembled with contact protection box |
| Rated current | 16 A | – confectioned, with 3-core cable with conductor sleeves |
| Lead | 3 x 1.5 mm ² | – rear wall in polar white |
| Line length | ≈ 1 m | |

Frames/frames with hinged cover exclusively from Berker integro programme have to be ordered separately to complete the article.

| Suitable for | Order no. | Page |
|-------------------------|--------------|------|
| Frame 1gang | 9 1827 25 .. | 74 |
| Frame with hinged cover | 9 1828 25 .. | 76 |

| Design | Order no. | PU |
|---|---------------------|----|
| polar white glossy | 1979 01 09 | 24 |
| chrome matt, lacquered, socket, black, glossy | × 1979 01 58 | 24 |



integro box with SCHUKO socket outlet

- on/off switch



| | | |
|-----------------------------|--------------------------|--|
| Rated voltage | 250 V~ | – rear wall in polar white |
| Rated current socket outlet | 16 A | – with SCHUKO socket outlet, pre-assembled with contact protection box |
| Rated current switch | 2 A | – with rocker switch for switching on/off a lamp |
| Lead | 3 x 1.5 mm ² | – with insulating plug |
| Light fitting cable | 2 x 0.75 mm ² | – pre-assembled, with 3-core lead and 2-core light fitting wire, each with conductor sleeves |
| Line length | ≈ 1 m | |

Frames/frames with hinged cover exclusively from Berker integro programme have to be ordered separately to complete the article.

| Suitable for | Order no. | Page |
|-------------------------|--------------|------|
| Frame 1gang | 9 1827 25 .. | 74 |
| Frame with hinged cover | 9 1828 25 .. | 76 |

| Design | Order no. | PU |
|---|---------------------|----|
| polar white glossy | 1979 11 09 | 24 |
| chrome matt, lacquered, Socket outlet and switch black glossy | × 1979 11 58 | 24 |

Installation sets



integro box mounting set

Frames/frames with hinged cover exclusively from Berker integro programme have to be ordered separately to complete the article.

- rear wall in polar white
- with contact protection box with double strain relief
- with fixing screws for socket outlet insert

| Suitable for | Order no. | Page |
|---|--------------|------------|
| SCHUKO socket outlets | | from p. 22 |
| Socket outlets with earthing contact | | from p. 37 |
| Socket outlets with earthing pin | | from p. 40 |
| Socket outlets without earthing contact | | from p. 43 |
| Frame 1gang | 9 1827 25 .. | 74 |
| Frame with hinged cover | 9 1828 25 .. | 76 |

| Design | Order no. | PU |
|------------------------|---------------------|----|
| polar white glossy | 1979 00 09 | 24 |
| chrome matt, lacquered | × 1979 00 58 | 24 |



integro box mounting set

- on/off switch



Rated voltage 250 V~
 Rated current switch 2 A
 Conductor cross-section (flexible), with wire end sleeve 0.5 ... 0.75 mm²

Caution!
 Contact protection is only guaranteed if the wire stripping length is 10 mm.

Frames/frames with hinged cover exclusively from Berker integro programme have to be ordered separately to complete the article.

- with rocker switch for switching on/off a lamp
- rear wall in polar white
- with contact protection box with double strain relief
- with fixing screws for socket outlet insert
- with insulating plug

▶ 202

| Suitable for | Order no. | Page |
|---|--------------|------------|
| SCHUKO socket outlets | | from p. 22 |
| Socket outlets with earthing contact | | from p. 37 |
| Socket outlets with earthing pin | | from p. 40 |
| Socket outlets without earthing contact | | from p. 43 |
| Frame 1gang | 9 1827 25 .. | 74 |
| Frame with hinged cover | 9 1828 25 .. | 76 |

| Design | Order no. | PU |
|---|---------------------|----|
| polar white glossy | 1979 10 09 | 24 |
| chrome matt, lacquered, Switch black glossy | × 1979 10 58 | 24 |

Berker Built-in socket outlets





Berker
Built-in
socket outlets

Berker

Built-in socket outlets

Laboratory furniture, mirror cabinets, tools, machines are frequently situated where a power connection is required and there is no space remaining for a regular socket outlet. This is why our special built-in socket outlets are designed to be so compact. They satisfy the requirements of a future-oriented electrical installation, and they fit even where space is at a premium. Thanks to the installation-friendly SNAP-IN fastening, they can be effortlessly implemented, even in difficult installation situations.



| | |
|--------------------------------|-----|
| Built-in SCHUKO socket outlets | 142 |
|--------------------------------|-----|

| | |
|---|-----|
| Built-in socket outlets with earthing pin | 148 |
|---|-----|

| | |
|---|-----|
| Built-in socket outlets without earthing contact | 150 |
|---|-----|

Berker

Built-in socket outlets



| Built-in socket outlets | Centre plates | | Supplementary features | | Con- nection | special fastening | More info | | | | | | | | | | | |
|-------------------------|---------------|------------|------------------------|-------------------------|-----------------------------|-----------------------------|-------------------------|----------------|-------------------|--------------------|----------------|------------------|----------------------------------|----------|----------------------|------------------|--------------------------|--------------------------|
| | Ø 50 mm round | 50 x 50 mm | 55.5 x 55.5 mm | Hinged cover 50 x 60 mm | Hinged cover 59.5 x 59.5 mm | Enhanced contact protection | Splash-protected - IP44 | Imprint "IP44" | Base rotated 180° | Insert rotated 45° | Screw terminal | Plug-in terminal | via supporting ring ¹ | via base | via supporting angle | via centre plate | Dimensional drawing Page | Product description Page |

Built-in SCHUKO socket outlets

| | | | | | | | | | | | | | | | | | | |
|-----------------------------------|---|----------------|---|---|--|--|---|---|--|--|--|--|--|--|--|--|-----|-----|
| with hinged cover | | | ■ | | | | | | | | | | | | | | 205 | 142 |
| with hinged cover, imprint "IP44" | | | ■ | | | | ■ | ■ | | | | | | | | | 205 | 142 |
| | | | ■ | | | | ■ | ■ | | | | | | | | | 205 | 142 |
| SNAP IN 0.6–1.5 mm | ■ | | | | | | | | | | | | | | | | 205 | 143 |
| | | ■ | | | | | | | | | | | | | | | 205 | 143 |
| | | ■ ² | | | | | | | | | | | | | | | 205 | 143 |
| SNAP IN 1.3–2.2 mm | | | ■ | | | | ■ | | | | | | | | | | 205 | 143 |
| | | | | ■ | | | | ■ | | | | | | | | | 206 | 144 |
| SNAP IN 2 mm | ■ | | | | | | | | | | | | | | | | 205 | 143 |
| | ■ | | | ■ | | | | ■ | | | | | | | | | 206 | 145 |
| | ■ | | | | | | ■ | | | | | | | | | | 205 | 143 |
| | ■ | | | | | | | | | | | | | | | | 206 | 145 |
| SNAP IN 2.5 mm | ■ | | | | | | | | | | | | | | | | 205 | 145 |
| | ■ | | | | | | ■ | | | | | | | | | | 205 | 146 |
| | ■ | | | | | | | | | | | | | | | | 205 | 146 |
| SNAP IN 3 mm | ■ | | | | | | | | | | | | | | | | 205 | 146 |
| | ■ | ■ | | | | | | | | | | | | | | | 205 | 147 |
| | ■ | | | | | | | | | | | | | | | | 206 | 146 |
| SNAP IN 4 mm | ■ | | | | | | | | | | | | | | | | 205 | 147 |
| Special fastening type | ■ | | | | | | | | | | | | | | | | 206 | 147 |
| | ■ | ■ | | | | | | | | | | | | | | | 206 | 147 |
| | ■ | | | | | | | | | | | | | | | | 207 | 148 |
| | ■ | | | | | | | | | | | | | | | | 207 | 148 |

Built-in socket outlets with earthing pin

| | | | | | | | | | | | | | | | | | | |
|--------------------|---|---|--|--|--|--|---|--|--|--|--|--|--|--|--|--|-----|-----|
| SNAP IN 0.6–1.5 mm | ■ | | | | | | ■ | | | | | | | | | | 207 | 148 |
| | | ■ | | | | | ■ | | | | | | | | | | 207 | 149 |
| SNAP IN 2.5 mm | ■ | | | | | | ■ | | | | | | | | | | 207 | 149 |
| SNAP IN 3 mm | | ■ | | | | | ■ | | | | | | | | | | 207 | 149 |
| Special fastenings | ■ | | | | | | ■ | | | | | | | | | | 207 | 149 |

Built-in socket outlets without earthing contact

| | | | | | | | | | | | | | | | | | | |
|--------------|--|---|--|--|--|--|---|--|--|--|--|--|--|--|--|--|-----|-----|
| SNAP IN 3 mm | | ■ | | | | | ■ | | | | | | | | | | 207 | 150 |
|--------------|--|---|--|--|--|--|---|--|--|--|--|--|--|--|--|--|-----|-----|

¹Without spreading claws

²Minimal installation depth of 33.9 mm



| socket outlets | Centre plates | | Supplementary features | | | Con- nection | special fastening | | | | | | | | | | | |
|--|---------------|------------|------------------------|-------------------------|-----------------------------|-----------------------------|-------------------------|----------------|-------------------|--------------------|------------------|----------------|------------------|---------------------|----------|----------------------|------------------|---------------------------------------|
| | Ø 50 mm round | 50 x 50 mm | 55.5 x 55.5 mm | Hinged cover 50 x 60 mm | Hinged cover 59.5 x 59.5 mm | Enhanced contact protection | Splash-protected - IP44 | Imprint "IP44" | Base rotated 180° | Insert rotated 45° | With control LED | screw terminal | Plug-in terminal | via supporting ring | via base | via supporting angle | via centre plate | Product description ³ Page |
| SCHUKO socket outlets | | | | | | | | | | | | | | | | | | |
| SNAP IN 1.0 mm | | ■ | | | | | | | | ■ | | ■ | | | | | | 29 |
| | | ■ | | | | | | | | ■ | | | ■ | | | | | 31 |
| SNAP IN 1.8 mm | | ■ | | | | | | | | ■ | | | ■ | | | | | 29 |
| | | ■ | | | | ■ | | | | ■ | | | ■ | | | | | 29 |
| SNAP IN 2 mm | | ■ | | | | ■ | | | | ■ | ■ | | ■ | | | | | 30 |
| SNAP IN 2.8 mm | | ■ | | | | ■ | | | | ■ | | | ■ | | | | | 29 |
| Socket outlets with earthing contact | | | | | | | | | | | | | | | | | | |
| "SWITZERLAND", type 13 | | ■ | | | | | | | | | | ■ | | | | | ■ | 39 |
| "SWITZERLAND", type 23 | | ■ | | | | | | | | | | ■ | | | | | ■ | 39 |
| "ITALY" | | ■ | | | | ■ | | | | | | ■ | | | | | ■ | 39 |
| "BRITISH STANDARD" | | ■ | | | | ■ | | | | | | ■ | | | | | ■ | 40 |
| "DENMARK" | | ■ | | | | ■ | | | | | | ■ | | | | | ■ | 38 |
| "USA/CANADA" 15 A, 125 V | | ■ | | | | | | | | | | ■ | | | | | ■ | 37 |
| "USA/CANADA" 20 A, 250 V | | ■ | | | | | | | | | | ■ | | | | | ■ | 37 |
| "AUSTRALIA", 10 A | | ■ | | | | | | | | | | ■ | | | | | ■ | 38 |
| "AUSTRALIA", 15 A | | ■ | | | | | | | | | | ■ | | | | | ■ | 38 |
| Socket outlets with earthing pin | | | | | | | | | | | | | | | | | | |
| Fastening via centre plate | | ■ | | | | | | | | | | ■ | | | | | ■ | 40 |
| | | ■ | | | | ■ | | | | | | ■ | | | | | ■ | 41 |
| Socket outlets without earthing contact | | | | | | | | | | | | | | | | | | |
| "NETHERLANDS" | | ■ | | | | ■ | | | | | | ■ | | | | | ■ | 43 |
| "EURO-AMERICAN STANDARD" | | ■ | | | | ■ | | | | | | ■ | | | | | ■ | 44 |

³Scale drawings and detailed information can be found in the Technical Information on Page 210.

Built-in SCHUKO socket outlets

Built-in SCHUKO socket outlets for screw fastening



Built-in SCHUKO socket outlet with hinged cover
50 x 60 mm

▶ 205

- screw terminals



Rated voltage 250 V~
Rated current 16 A
Installation depth 31 mm

- for 4-hole screw fitting
- contacts made of copper alloy
- duroplast base
- thermoplastic centre plate, glossy

Not suitable for contact protection boxes (cavity walls).
Connection terminals according to IEC 60884-1



| Design | Order no. | PU |
|------------------------------|------------------|----|
| connection from above | | |
| polar white glossy | 9 4296 19 | 10 |
| connection from below | | |
| grey glossy | 9 4296 03 | 10 |
| black glossy | 9 4296 06 | 10 |
| blue glossy | 9 4296 05 | 10 |



Built-in SCHUKO socket outlet with hinged cover
50 x 60 mm, IP44

▶ 205

- screw terminals



Rated voltage 250 V~
Rated current 16 A
Installation depth 31 mm

- for 4-hole screw fitting
- with sealing
- contacts made of copper alloy
- duroplast base
- thermoplastic centre plate, glossy
- connection from below

Not suitable for contact protection boxes (cavity walls).
Connection terminals according to IEC 60884-1



| Design | Order no. | PU |
|--------|------------------|----|
| blue | 7 4296 35 | 10 |



Built-in SCHUKO socket outlet with hinged cover
50 x 60 mm, imprint "IP44"

▶ 205

- screw terminals



Rated voltage 250 V~
Rated current 16 A
Installation depth 31 mm

- for 4-hole screw fitting
- with sealing
- contacts made of copper alloy
- duroplast base
- thermoplastic centre plate, glossy
- connection from below

Not suitable for contact protection boxes (cavity walls).
Connection terminals according to IEC 60884-1



| Design | Order no. | PU |
|--------------------|------------------|-----|
| anthracite | 8 4296 34 | 200 |
| polar white glossy | 8 4296 39 | 200 |
| black glossy | 8 4296 36 | 200 |
| blue | 8 4296 15 | 200 |

Built-in SCHUKO socket outlets "SNAP IN"



**Built-in SCHUKO socket outlet with centre plate
Ø 50 mm, SNAP IN 0.6 - 1.5 mm**

▶ 205

- screw terminals



| | |
|-----------------------------|----------------|
| Rated voltage | 250 V~ |
| Rated current | 16 A |
| Installation depth | 38.9 mm |
| Installation wall thickness | 0.6 ... 1.5 mm |

- for catch fixing
- centre plate with twist protection
- contacts made of copper alloy
- duroplast base
- thermoplastic centre plate, matt

Not suitable for contact protection boxes (cavity walls).
Connection terminals according to IEC 60884-1

| Design | Order no. | PU |
|------------------|----------------|-----|
| grey matt | 4189 08 | 200 |
| light grey matt | 4189 06 | 200 |
| white matt | 4189 02 | 200 |
| polar white matt | 4189 09 | 200 |
| black matt | 4189 05 | 200 |



**Built-in SCHUKO socket outlet with centre plate
50 x 50 mm, SNAP IN 0.6 - 1.5 mm**

▶ 205

- screw terminals



| | |
|-----------------------------|----------------|
| Rated voltage | 250 V~ |
| Rated current | 16 A |
| Installation wall thickness | 0.6 ... 1.5 mm |

- for catch fixing
- centre plate with twist protection
- contacts made of copper alloy
- duroplast base
- thermoplastic centre plate, matt

Not suitable for contact protection boxes (cavity walls).
Connection terminals according to IEC 60884-1

| Design | Order no. | PU |
|-----------------------------------|----------------|-----|
| Installation depth 38.9 mm | | |
| white matt | 4181 02 | 200 |
| polar white matt | 4181 09 | 200 |
| Installation depth 33.9 mm | | |
| white matt | 4183 02 | 200 |
| black matt | 4183 05 | 200 |



**Built-in SCHUKO socket outlet 45°,
SNAP IN 1.3 - 2.2 mm**

▶ 205

- enhanced contact protection
- screw terminals



| | |
|-----------------------------|----------------|
| Rated voltage | 250 V~ |
| Rated current | 16 A |
| Installation depth | 32.3 mm |
| Installation wall thickness | 1.3 ... 2.2 mm |

- for catch fixing
- for diagonal installation
- contacts made of copper alloy
- duroplast base
- thermoplastic centre plate, matt

Not suitable for contact protection boxes (cavity walls).
Connection terminals according to IEC 60884-1
Enhanced contact protection according to IEC 60884-1

| Design | Order no. | PU |
|-----------|------------------|-----|
| grey matt | 8 4130 06 | 200 |





Built-in SCHUKO socket outlet 45° with hinged cover, SNAP IN 1.3 - 2.2 mm, imprint "IP 44"

▶ 206

- screw terminals



| | |
|-----------------------------|----------------|
| Rated voltage | 250 V~ |
| Rated current | 16 A |
| Installation depth | 32.5 mm |
| Installation wall thickness | 1.3 ... 2.2 mm |

Not suitable for contact protection boxes (cavity walls).
Connection terminals according to IEC 60884-1

- for catch fixing
- insert grey, matt
- with sealing
- for diagonal installation

| Design | Order no. | PU |
|--------------|------------------|-----|
| grey glossy | 8 4121 97 | 200 |
| red glossy | 8 4121 86 | 200 |
| green glossy | 8 4121 90 | 200 |



Built-in SCHUKO socket outlet with centre plate Ø 50 mm, SNAP IN 2 mm

▶ 205

- screw terminals



| | |
|-----------------------------|---------|
| Rated voltage | 250 V~ |
| Rated current | 16 A |
| Installation depth | 38.9 mm |
| Installation wall thickness | 2 mm |

Not suitable for contact protection boxes (cavity walls).
Connection terminals according to IEC 60884-1

- for catch fixing
- centre plate with twist protection
- contacts made of copper alloy
- duroplast base
- thermoplastic centre plate, matt

| Design | Order no. | PU |
|-----------------|------------------|-----|
| light grey matt | 4188 58 | 200 |
| black matt | 8 4188 55 | 200 |



Built-in SCHUKO socket outlet with centre plate Ø 50 mm, SNAP IN 2 mm

▶ 206

- plug-in terminals



| | |
|-----------------------------|---------|
| Rated voltage | 250 V~ |
| Rated current | 16 A |
| Installation depth | 39.3 mm |
| Installation wall thickness | 2 mm |

Not suitable for contact protection boxes (cavity walls).
Earth bracket clamping forces according to TNO requirements.
Connection terminals according to IEC 60884-1

- for catch fixing
- centre plate with twist protection
- contacts made of copper alloy
- thermoplastic base
- thermoplastic centre plate, matt

| Design | Order no. | PU |
|------------------|----------------|-----|
| light grey matt | 4788 26 | 200 |
| polar white matt | 4788 29 | 200 |





Built-in SCHUKO socket outlet with centre plate
Ø 50 mm, SNAP IN 2 mm

▶ 206

- enhanced contact protection
- plug-in terminals



| | |
|-----------------------------|---------|
| Rated voltage | 250 V~ |
| Rated current | 16 A |
| Installation depth | 39.3 mm |
| Installation wall thickness | 2 mm |

Not suitable for contact protection boxes (cavity walls).
Earth bracket clamping forces according to TNO requirements.

Connection terminals according to IEC 60884-1
Enhanced contact protection according to IEC 60884-1

- for catch fixing
- centre plate with twist protection
- contacts made of copper alloy
- thermoplastic base
- thermoplastic centre plate, matt



| | | |
|------------------|----------------|----|
| Design | Order no. | PU |
| polar white matt | 4788 69 | 10 |



Built-in SCHUKO socket outlet with hinged cover
59.5 x 59.5 mm, SNAP IN 2 mm, imprint "IP44"

▶ 206

- plug-in terminals



| | |
|-----------------------------|---------|
| Rated voltage | 250 V~ |
| Rated current | 16 A |
| Installation depth | 33.1 mm |
| Installation wall thickness | 2 mm |

Not suitable for contact protection boxes (cavity walls).
Earth bracket clamping forces according to TNO requirements.

Connection terminals according to IEC 60884-1

- for catch fixing
- with distance sealing ring
- hinged cover can be opened to 135°
- centre plate with twist protection
- contacts made of copper alloy
- ABS hinged cover, matt, abrasion and scratch-proof
- thermoplastic base
- polycarbonate centre plate, matt



| | | |
|------------|------------------|-----|
| Design | Order no. | PU |
| black matt | 8 4296 46 | 180 |



Built-in SCHUKO socket outlet with centre plate
Ø 50 mm, SNAP IN 2.5 mm

▶ 205

- screw terminals



| | |
|-----------------------------|---------|
| Rated voltage | 250 V~ |
| Rated current | 16 A |
| Installation depth | 38.9 mm |
| Installation wall thickness | 2.5 mm |

Not suitable for contact protection boxes (cavity walls).
Connection terminals according to IEC 60884-1

- for catch fixing
- centre plate with twist protection
- contacts made of copper alloy
- duroplast base
- thermoplastic centre plate, matt



| | | |
|------------------|----------------|-----|
| Design | Order no. | PU |
| light grey matt | 4175 08 | 200 |
| polar white matt | 4175 09 | 200 |



**Built-in SCHUKO socket outlet with centre plate
Ø 50 mm, SNAP IN 2.5 mm**

- enhanced contact protection
- screw terminals



| | |
|-----------------------------|---------|
| Rated voltage | 250 V~ |
| Rated current | 16 A |
| Installation depth | 38.9 mm |
| Installation wall thickness | 2.5 mm |

Not suitable for contact protection boxes (cavity walls).
Connection terminals according to IEC 60884-1
Enhanced contact protection according to IEC 60884-1

- for catch fixing
- centre plate with twist protection
- contacts made of copper alloy
- duroplast base
- thermoplastic centre plate, matt



| Design | Order no. | PU |
|------------------|----------------|-----|
| polar white matt | 4176 09 | 200 |



**Built-in SCHUKO socket outlet with centre plate
Ø 50 mm, SNAP IN 3 mm**

- screw terminals



| | |
|-----------------------------|---------|
| Rated voltage | 250 V~ |
| Rated current | 16 A |
| Installation depth | 38.9 mm |
| Installation wall thickness | 3 mm |

Not suitable for contact protection boxes (cavity walls).
Connection terminals according to IEC 60884-1

- for catch fixing
- centre plate with twist protection
- contacts made of copper alloy
- duroplast base
- thermoplastic centre plate, matt

▶ 205



| Design | Order no. | PU |
|------------------|----------------|-----|
| grey matt | 4188 06 | 200 |
| light grey matt | 4188 08 | 200 |
| white matt | 4188 02 | 200 |
| polar white matt | 4188 09 | 200 |
| black matt | 4188 05 | 200 |



**Built-in SCHUKO socket outlet with centre plate
Ø 50 mm, SNAP IN 3 mm**

- plug-in terminals



| | |
|-----------------------------|---------|
| Rated voltage | 250 V~ |
| Rated current | 16 A |
| Installation depth | 39.3 mm |
| Installation wall thickness | 3 mm |

Not suitable for contact protection boxes (cavity walls).
Earth bracket clamping forces according to TNO requirements.
Connection terminals according to IEC 60884-1

- for catch fixing
- centre plate with twist protection
- contacts made of copper alloy
- thermoplastic base
- thermoplastic centre plate, matt

▶ 206



| Design | Order no. | PU |
|------------------|----------------|-----|
| grey matt | 4788 36 | 200 |
| light grey matt | 4788 16 | 200 |
| polar white matt | 4788 19 | 200 |



**Built-in SCHUKO socket outlet with centre plate
50 x 50 mm, SNAP IN 3 mm**

▶ 205

- screw terminals



| | |
|-----------------------------|---------|
| Rated voltage | 250 V~ |
| Rated current | 16 A |
| Installation depth | 38.9 mm |
| Installation wall thickness | 3 mm |

Not suitable for contact protection boxes (cavity walls).
Connection terminals according to IEC 60884-1

- for catch fixing
- centre plate with twist protection
- contacts made of copper alloy
- duroplast base
- thermoplastic centre plate, matt



| Design | Order no. | PU |
|------------------|----------------|-----|
| polar white matt | 4190 09 | 200 |
| black matt | 4190 05 | 200 |



**Built-in SCHUKO socket outlet with centre plate
Ø 50 mm, SNAP IN 4 mm**

▶ 205

- screw terminals



| | |
|-----------------------------|---------|
| Rated voltage | 250 V~ |
| Rated current | 16 A |
| Installation depth | 38.9 mm |
| Installation wall thickness | 4 mm |

Not suitable for contact protection boxes (cavity walls).
Connection terminals according to IEC 60884-1

- for catch fixing
- centre plate with twist protection
- contacts made of copper alloy
- duroplast base
- thermoplastic centre plate, matt



| Design | Order no. | PU |
|-----------------|----------------|-----|
| light grey matt | 4177 08 | 200 |

Built-in SCHUKO socket outlets with special fastening



**Built-in SCHUKO socket outlet with centre plate
Ø 50 mm**

▶ 206

- screw terminals



| | |
|--------------------|---------|
| Rated voltage | 250 V~ |
| Rated current | 16 A |
| Installation depth | 36.6 mm |

Not suitable for contact protection boxes (cavity walls).
Connection terminals according to IEC 60884-1

- screw fastening via bas
- centre plate with twist protection
- contacts made of copper alloy
- duroplast base
- duroplast centre plate



| Design | Order no. | PU |
|--------|----------------|----|
| white | 4180 37 | 10 |



**Built-in SCHUKO socket outlet with support bracket,
centre plate 50 x 50 mm**

▶ 206

- screw terminals



| | |
|--------------------|---------|
| Rated voltage | 250 V~ |
| Rated current | 16 A |
| Installation depth | 36.6 mm |

Not suitable for contact protection boxes (cavity walls).

- fastening via support bracket
- centre plate with twist protection
- contacts made of copper alloy
- duroplast base
- duroplast centre plate



| Design | Order no. | PU |
|--------|----------------|----|
| white | 4180 31 | 10 |
| black | 4180 32 | 10 |



Built-in SCHUKO socket outlet with support ring, centre plate Ø 50 mm

▶ 207

- screw terminals



Rated voltage 250 V~
Rated current 16 A
Installation depth 31.3 mm

- screw fastening via supporting ring
- without spreader claws
- centre plate with twist protection
- contacts made of copper alloy
- duroplast base
- thermoplastic centre plate

Not suitable for contact protection boxes (cavity walls).
Connection terminals according to IEC 60884-1



| Design | Order no. | PU |
|------------------|----------------|-----|
| polar white matt | 4180 69 | 200 |



Built-in SCHUKO socket outlet with support ring, centre plate Ø 50 mm

▶ 207

- plug-in terminals



Rated voltage 250 V~
Rated current 16 A
Installation depth 31.3 mm

- screw fastening via supporting ring
- without spreader claws
- centre plate with twist protection
- contacts made of copper alloy
- duroplast base
- thermoplastic centre plate

Not suitable for contact protection boxes (cavity walls).
Connection terminals according to IEC 60884-1



| Design | Order no. | PU |
|------------------|----------------|-----|
| polar white matt | 4880 69 | 200 |

Built-in socket outlets with earthing pin

Built-in socket outlets with earthing pin "SNAP IN"



Built-in socket outlet with earthing pin and centre plate, 50 mm, SNAP IN 0.6 - 1.5 mm

▶ 207

- enhanced contact protection
- screw terminals



Rated voltage 250 V~
Rated current 16 A
Installation depth 35.8 mm
Installation wall thickness 0.6 ... 1.5 mm

- for catch fixing
- centre plate with twist protection
- 2pole + earth
- contacts made of copper alloy
- duroplast base
- thermoplastic centre plate, matt

Not suitable for contact protection boxes (cavity walls).
Enhanced contact protection according to IEC 60884-1



| Design | Order no. | PU |
|------------------|-------------------|-----|
| black matt | 6741 94 05 | 200 |
| polar white matt | 6741 94 09 | 200 |



Built-in socket outlet with earthing pin and centre plate, 50 x 50 mm, SNAP IN 0.6 - 1.5 mm

▶ 207

- enhanced contact protection
- screw terminals



| | |
|-----------------------------|----------------|
| Rated voltage | 250 V~ |
| Rated current | 16 A |
| Installation depth | 33.8 mm |
| Installation wall thickness | 0.6 ... 1.5 mm |

Not suitable for contact protection boxes (cavity walls).
Enhanced contact protection according to IEC 60884-1

- for catch fixing
- centre plate with twist protection
- 2pole + earth
- contacts made of copper alloy
- duroplast base
- thermoplastic centre plate, matt



| | | |
|------------|-------------------|-----|
| Design | Order no. | PU |
| black matt | 6741 91 05 | 200 |



Built-in socket outlet with earthing pin and centre plate, 50 mm, SNAP IN 2.5 mm

▶ 207

- enhanced contact protection
- screw terminals



| | |
|-----------------------------|---------|
| Rated voltage | 250 V~ |
| Rated current | 16 A |
| Installation depth | 35.8 mm |
| Installation wall thickness | 2.5 mm |

Not suitable for contact protection boxes (cavity walls).
Enhanced contact protection according to IEC 60884-1

- for catch fixing
- centre plate with twist protection
- 2pole + earth
- contacts made of copper alloy
- duroplast base
- thermoplastic centre plate, matt



| | | |
|------------------|-------------------|-----|
| Design | Order no. | PU |
| polar white matt | 6741 28 09 | 200 |



Built-in socket outlet with earthing pin and centre plate, 50 x 50 mm, SNAP IN 3 mm

▶ 207

- enhanced contact protection
- screw terminals



| | |
|-----------------------------|---------|
| Rated voltage | 250 V~ |
| Rated current | 16 A |
| Installation depth | 33.8 mm |
| Installation wall thickness | 3 mm |

Not suitable for contact protection boxes (cavity walls).
Enhanced contact protection according to IEC 60884-1

- for catch fixing
- centre plate with twist protection
- 2pole + earth
- contacts made of copper alloy
- duroplast base
- thermoplastic centre plate, matt



| | | |
|------------------|-------------------|-----|
| Design | Order no. | PU |
| polar white matt | 6741 92 09 | 200 |

Built-in socket outlets with earthing pin and special fastening



Built-in socket outlet with earthing pin and supporting ring, centre plate Ø 50 mm

▶ 207

- enhanced contact protection
- screw-in lift terminals



| | |
|--------------------|---------|
| Rated voltage | 250 V~ |
| Rated current | 16 A |
| Installation depth | 31.3 mm |

Enhanced contact protection according to IEC 60884-1

- screw fastening via supporting ring
- centre plate with twist protection
- 2pole + earth
- contacts made of copper alloy
- duroplast base
- duroplast centre plate, glossy



| | | |
|--------------------|-------------------|-----|
| Design | Order no. | PU |
| polar white glossy | 6763 79 10 | 100 |

Built-in socket outlets without earthing contact

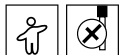
Built-in sockets without earthing contact "SNAP-IN"



Built-in socket outlet without earthing contact, with centre plate 50 x 50 mm, SNAP IN 3 mm

▶ 207

- enhanced contact protection
- screw terminals



| | |
|-----------------------------|---------|
| Rated voltage | 250 V~ |
| Rated current | 16 A |
| Installation depth | 33.8 mm |
| Installation wall thickness | 3 mm |

- for catch fixing
- centre plate with twist protection
- 2pole + earth
- contacts made of copper alloy
- duroplast base
- thermoplastic centre plate, matt

Not suitable for contact protection boxes (cavity walls).

Enhanced contact protection according to IEC 60884-1

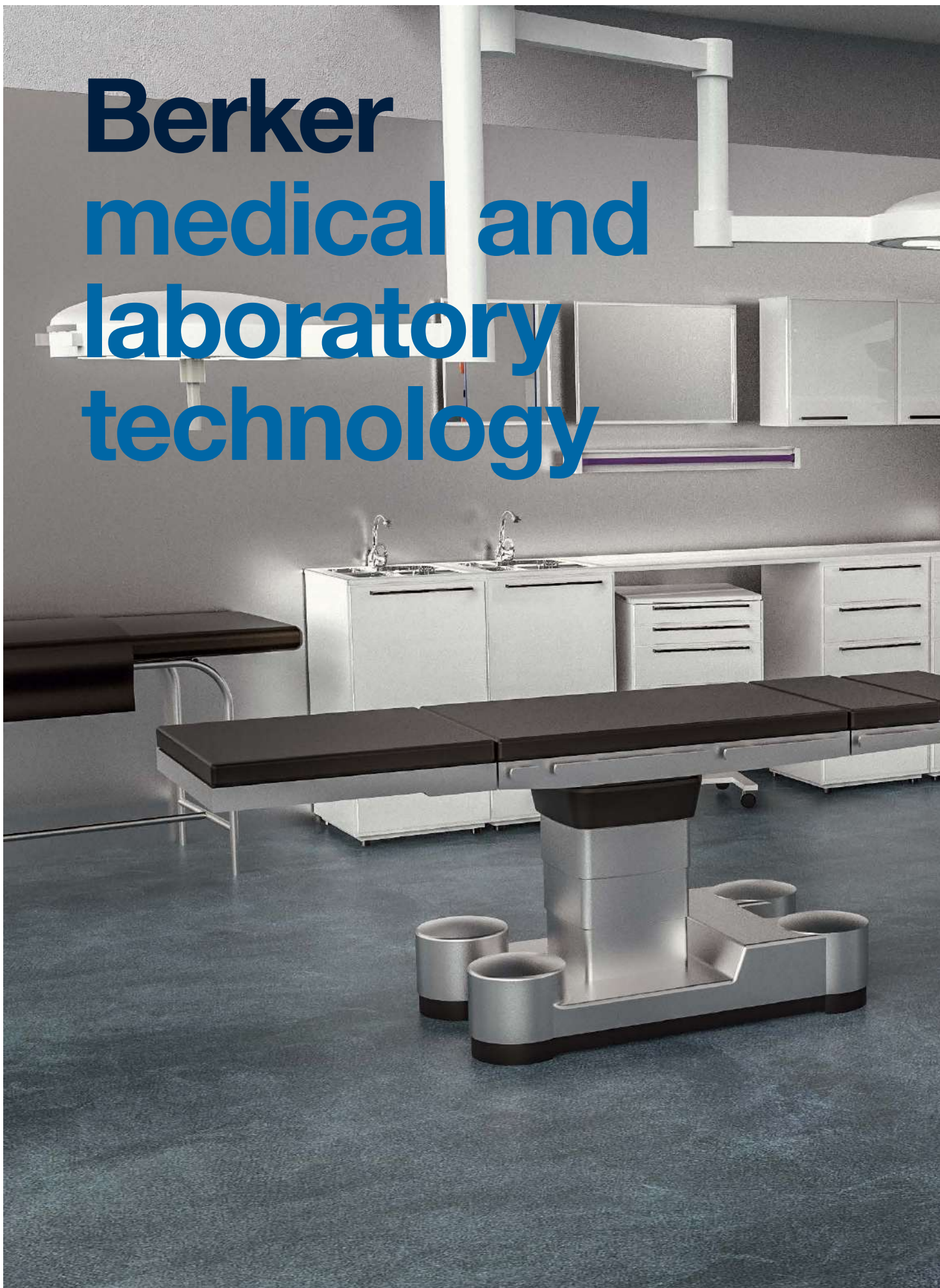


Design
grey matt

Order no.
6141 93 08

PU
200

Berker medical and laboratory technology





Berker medical and laboratory technology

The highest level of quality is vital in ensuring the ultimate safety of individuals. Many different application areas are covered, from hospital equipment for ceiling-mounted supply units in operating theatres and bedhead units in the care sector, to laboratory fittings and furnishings. Our Berker integro portfolio and 45 x 45 socket outlets can deliver this exceptional standard of quality for the medical sector.



| | |
|---|-----|
| SCHUKO socket outlets – 45 x 45 | 158 |
| International socket outlet systems – 45 x 45 | 159 |
| Accessories – 45 x 45 | 161 |
| Switch/push-button – 45 x 45 | 161 |
| USB charging sockets – 45 x 45 | 162 |
| Multimedia – 45 x 45 | 163 |
| Data communication – 45 x 45 | 165 |
| SCHUKO socket outlets for special applications – Berker integro | 166 |
| Socket outlets with earthing pin for spec. applications – Berker integro | 174 |
| Frames for special applications – Berker integro | 176 |

Product examples

Berker

medical and laboratory technology





Frames / Covers / Central inserts

Plastic, glossy

| | |
|-------------|---------------------|
| Grey | similar to RAL 7038 |
| Polar white | similar to RAL 9010 |
| Black | similar to RAL 9005 |
| Red | similar to RAL 3003 |
| Green | similar to RAL 6032 |
| Orange | similar to RAL 2008 |

SCHUKO socket outlets - 45 x 45

Built-in SCHUKO socket outlets "SNAP IN"



Built-in SCHUKO socket outlet, SNAP IN 4.6 mm

- enhanced contact protection
- plug-in terminals

- for catch fixing
- suitable for flush-mounted installation



| | |
|-----------------------------|-----------------|
| Rated voltage | 250 V~ |
| Rated current | 16 A |
| Installation depth | 45 mm |
| Installation wall thickness | 4.6 mm |
| Dimensions (W x H x D) | 45 x 45 x 40 mm |

| Design | Order no. | PU |
|--------|---------------|----|
| white | WS160 | 10 |
| black | WS160N | 10 |
| green | WS160V | 10 |
| orange | WS160E | 10 |



▶ 203



Built-in SCHUKO socket outlet, SNAP IN 4.6 mm

- screw terminals

- for catch fixing
- suitable for flush-mounted installation



| | |
|-----------------------------|-----------------|
| Rated voltage | 250 V~ |
| Rated current | 16 A |
| Installation depth | 45 mm |
| Installation wall thickness | 4.6 mm |
| Dimensions (W x H x D) | 45 x 45 x 40 mm |

| Design | Order no. | PU |
|--------|--------------|----|
| red | WS162 | 10 |



▶ 203



Built-in double socket outlet SCHUKO 45°, SNAP IN 4.6 mm

- enhanced contact protection
- plug-in terminals

- for diagonal installation
- for catch fixing
- suitable for flush-mounted installation



| | |
|-----------------------------|-------------------|
| Rated voltage | 250 V~ |
| Rated current | 16 A |
| Installation depth | 45 mm |
| Installation wall thickness | 4.6 mm |
| Dimensions (W x H x D) | 90 x 45 x 42.5 mm |

| Design | Order no. | PU |
|--------|---------------|----|
| white | WS172 | 10 |
| black | WS172N | 10 |
| green | WS172V | 10 |
| orange | WS172E | 10 |
| red | WS185 | 10 |

| Suitable for | Order no. | Page |
|--------------------------|-----------|------|
| Optional Connecting plug | WS120 | 161 |



▶ 203



Built-in 3gang SCHUKO socket outlet 45°, SNAP IN 4.6 mm

▶ 204

- enhanced contact protection
- plug-in terminals



| | |
|-----------------------------|--------------------|
| Rated voltage | 250 V~ |
| Rated current | 16 A |
| Installation depth | 45 mm |
| Installation wall thickness | 4.6 mm |
| Dimensions (W x H x D) | 135 x 45 x 42.5 mm |

- for diagonal installation
- for catch fixing
- suitable for flush-mounted installation

| Suitable for Optional | Order no. | Page |
|--------------------------|-----------|------|
| Connecting plug | WS120 | 161 |

| Design | Order no. | PU |
|--------|---------------|----|
| white | WS173 | 10 |
| black | WS173N | 10 |
| red | WS186 | 10 |
| green | WS173V | 10 |
| orange | WS173E | 10 |



International socket outlet systems - 45 x 45

Built-in socket outlets with earthing pin "SNAP IN"



Built-in socket outlet with earthing pin, SNAP IN 4.6 mm

▶ 203

- enhanced contact protection
- plug-in terminals



| | |
|-----------------------------|-----------------|
| Rated voltage | 250 V~ |
| Rated current | 16 A |
| Installation depth | 40 mm |
| Installation wall thickness | 4.6 mm |
| Dimensions (W x H x D) | 45 x 45 x 37 mm |

- 2pole + earth
- for catch fixing
- suitable for flush-mounted installation

| Design | Order no. | PU |
|--------|---------------|----|
| white | WS100 | 10 |
| black | WS100N | 10 |
| green | WS100V | 10 |
| orange | WS100E | 10 |



Built-in socket outlet with earthing pin 45°, SNAP IN 4.6 mm

▶ 203

- enhanced contact protection
- plug-in terminals



| | |
|-----------------------------|---------------------|
| Rated voltage | 250 V~ |
| Rated current | 16 A |
| Installation wall thickness | 4.6 mm |
| Installation depth | 45 mm |
| Dimensions (W x H x D) | 67.5 x 45 x 43.5 mm |

- 2pole + earth
- width: 3 module units
- for catch fixing
- suitable for flush-mounted installation
- for diagonal installation

| Suitable for Optional | Order no. | Page |
|--------------------------|-----------|------|
| Connecting plug | WS120 | 161 |

| Design | Order no. | PU |
|--------|---------------|----|
| white | WS121 | 20 |
| black | WS121N | 20 |
| green | WS121V | 20 |
| orange | WS121E | 20 |





Built-in double socket outlet with earthing pin 45°, SNAP IN 4.6 mm

▶ 203

- enhanced contact protection
- plug-in terminals



| | |
|-----------------------------|-------------------|
| Rated voltage | 250 V~ |
| Rated current | 16 A |
| Installation depth | 45 mm |
| Installation wall thickness | 4.6 mm |
| Dimensions (W x H x D) | 90 x 45 x 42.5 mm |

- 2pole + earth
- for catch fixing
- suitable for flush-mounted installation

| Suitable for | Order no. | Page |
|-----------------|---------------|------|
| Optional | | |
| Connecting plug | WS120 | 161 |
| Design | Order no. | PU |
| white | WS122 | 10 |
| black | WS122N | 10 |
| green | WS122V | 10 |
| orange | WS122E | 10 |



Built-in 3gang socket outlet with earthing pin 45°, SNAP IN 4.6 mm

▶ 204

- enhanced contact protection
- plug-in terminals



| | |
|-----------------------------|--------------------|
| Rated voltage | 250 V~ |
| Rated current | 16 A |
| Installation depth | 45 mm |
| Installation wall thickness | 4.6 mm |
| Dimensions (W x H x D) | 135 x 45 x 42.5 mm |

- for diagonal installation
- 2pole + earth
- for catch fixing
- suitable for flush-mounted installation

| Suitable for | Order no. | Page |
|-----------------|---------------|------|
| Optional | | |
| Connecting plug | WS120 | 161 |
| Design | Order no. | PU |
| white | WS123 | 10 |
| black | WS123N | 10 |
| red | WS123R | 10 |
| green | WS123V | 10 |
| orange | WS123E | 10 |



Built-in socket outlets with earthing pin "Detrompage" "SNAP IN"



Built-in socket outlet with earthing pin "Detrompage", SNAP IN 4.6 mm

▶ 203

- enhanced contact protection
- screw terminals



| | |
|-----------------------------|-----------------|
| Rated voltage | 250 V~ |
| Rated current | 16 A |
| Installation depth | 40 mm |
| Installation wall thickness | 4.6 mm |
| Dimensions (W x H x D) | 45 x 45 x 37 mm |

- confusion-safe
- 2pole + earth
- for catch fixing
- suitable for flush-mounted installation

| Suitable for | Order no. | Page |
|--|-----------|------|
| Connecting attachment "Detrompage" for socket outlet with earthing pin | WS697 | 161 |



| Design | Order no. | PU |
|--------|--------------|----|
| red | WS106 | 10 |



Built-in socket outlet with earthing pin "Detrompage", SNAP IN 4.6 mm

▶ 203

- enhanced contact protection
- plug-in terminals



| | |
|-----------------------------|-----------------|
| Rated voltage | 250 V~ |
| Rated current | 16 A |
| Installation depth | 40 mm |
| Installation wall thickness | 4.6 mm |
| Dimensions (W x H x D) | 45 x 45 x 37 mm |

- confusion-safe
- 2pole + earth
- for catch fixing
- suitable for flush-mounted installation

| | | |
|---|---------------------------|--------------------|
| Suitable for Connecting attachment "Detrompage" for socket outlet with earthing pin | Order no. WS697 | Page 161 |
|---|---------------------------|--------------------|



| | | |
|--------|--------------|----|
| Design | Order no. | PU |
| red | WS105 | 10 |

Accessories - 45 x 45



Connecting plug

▶ 204

| | |
|------------------------|-----------------|
| Rated voltage | 250 V~ |
| Rated current | 16 A |
| Dimensions (W x H x D) | 40 x 30 x 25 mm |

- 3pole terminal block on both sides

| | | |
|---|------------------|-------------|
| Suitable for | Order no. | Page |
| Built-in socket outlet with earthing pin 45°, SNAP IN 4.6 mm | WS121 .. | 159 |
| Built-in double socket outlet with earthing pin 45°, SNAP IN 4.6 mm | WS122 .. | 160 |
| Built-in 3gang socket outlet with earthing pin 45°, SNAP IN 4.6 mm | WS123 .. | 160 |
| Built-in double socket outlet SCHUKO 45°, SNAP IN 4.6 mm | WS17 .. | 158 |
| Built-in double socket outlet SCHUKO 45°, SNAP IN 4.6 mm | WS18 .. | 158 |

| | | |
|------------|--------------|----|
| Design | Order no. | PU |
| light grey | WS120 | 10 |



Connecting attachment "Detrompage" for socket outlet with earthing pin

To mount on plug with earthing pin
"DETROMPAGE": Confusion-safe connection for emergency power devices!

- adapter with release pin

| | | |
|--|-----------------------------|--------------------|
| Suitable for Built-in socket outlet with earthing pin "Detrompage", SNAP IN 4.6 mm | Order no. WS10 .. | Page 161 |
|--|-----------------------------|--------------------|

| | | |
|--------|--------------|----|
| Design | Order no. | PU |
| red | WS697 | 10 |



Blank module

| | |
|------------------------|-------------------|
| Dimensions (W x H x D) | 22.5 x 45 x 37 mm |
|------------------------|-------------------|

| | | |
|--------------|--------------|----|
| Design | Order no. | PU |
| white, 1gang | WS688 | 10 |
| white, 2gang | WS689 | 10 |

Switch/push-button - 45 x 45

Rocker switches "SNAP IN"



Built in change-over switch, SNAP IN 4.6 mm

▶ 203

| | |
|-----------------------------|-----------------|
| Rated voltage | 250 V~ |
| Switching current | 10 AX |
| Installation depth | 40 mm |
| Installation wall thickness | 4.6 mm |
| Dimensions (W x H x D) | 45 x 45 x 37 mm |

- change-over
- for catch fixing
- suitable for flush-mounted installation
- with plug-in terminals



| | | |
|--------|--------------|----|
| Design | Order no. | PU |
| white | WS001 | 10 |



Built in control change-over switch, SNAP IN 4.6 mm

| | | |
|-----------------------------|-----------------|---|
| Rated voltage | 250 V~ | – with control LED as function light |
| Switching current | 10 AX | – change-over |
| Installation wall thickness | 4.6 mm | – for catch fixing |
| Dimensions (W x H x D) | 45 x 45 x 33 mm | – suitable for flush-mounted installation |
| | | – with plug-in terminals |



| | | |
|--------|--------------|----|
| Design | Order no. | PU |
| white | WS002 | 10 |



Built in change-over switch, SNAP IN 4.6 mm

- labelling field



| | | |
|-----------------------------|-----------------|---|
| Rated voltage | 250 V~ | – change-over |
| Switching current | 10 AX | – for catch fixing |
| Installation wall thickness | 4.6 mm | – suitable for flush-mounted installation |
| Dimensions (W x H x D) | 45 x 45 x 33 mm | – with plug-in terminals |



| | | |
|--------|--------------|----|
| Design | Order no. | PU |
| white | WS006 | 1 |

EMERGENCY OFF switch



EMERGENCY OFF switch, SNAP IN 4.6 mm

- lock - differing closures



| | | |
|-----------------------------|------------------|-----------------------------|
| Rated voltage | 250 V~ | – for catch fixing |
| Switching current | 10 A | – unlocking by 1/4 rotation |
| Installation wall thickness | 4.6 mm | – with 2 keys |
| Dimensions (W x H x D) | 45 x 45 x 104 mm | – with screw terminals |

DIN EN 60669-1

| | | |
|--------|--------------|----|
| Design | Order no. | PU |
| white | WS032 | 1 |

USB charging sockets - 45 x 45

USB charging sockets "SNAP IN"



USB charging socket, SNAP IN 4.6 mm

- labelling field



| | | |
|--|----------------|---|
| Input voltage | 110 ... 230 V~ | – for charging mobile end devices via USB cable |
| Frequency | 50/60 Hz | – with 2 USB sockets type A |
| Output voltage | 5 V= (± 5 %) | – for catch fixing |
| Output current when operating both sockets (total) | max. 1.2 A | – with plug-in terminals |
| Installation wall thickness | 4.6 mm | |

No data transmission possible!



| | | |
|--------|--------------|----|
| Design | Order no. | PU |
| white | WS110 | 1 |

Multimedia - 45 x 45

Audio socket outlets "SNAP IN"



Cinch socket outlet, SNAP IN 4.6 mm

Installation wall thickness 4.6 mm – 2 cinch jacks for audio connection (red, white)
 Dimensions (W x H x D) 45 x 45 x 40 mm – for catch fixing
 – with screw terminals

▶ 197



| Design | Order no. | PU |
|-------------------------------------|--------------|----|
| Cinch socket outlet, SNAP IN 4.6 mm | WS260 | 1 |



3.5 mm audio socket outlet, SNAP IN 4.6 mm

- labelling field



- with 3.5 mm jack
- for catch fixing
- with screw terminals

Installation wall thickness 4.6 mm
 Dimensions (W x H x D) 45 x 45 x 34 mm



| Design | Order no. | PU |
|--------|--------------|----|
| white | WS278 | 1 |



XLR socket outlet, female, SNAP IN 4.6 mm

Installation wall thickness 4.6 mm – with XLR jack (female)
 Dimensions (W x H x D) 45 x 45 x 35 mm – for catch fixing
 – with screw terminals



| Design | Order no. | PU |
|--------|--------------|----|
| white | WS266 | 1 |



XLR socket outlet, male, SNAP IN 4.6 mm

Installation wall thickness 4.6 mm – with XLR jack (male)
 Dimensions (W x H x D) 45 x 45 x 32 mm – for catch fixing
 – with screw terminals



| Design | Order no. | PU |
|--------|--------------|----|
| white | WS267 | 1 |

Video socket outlets "SNAP IN"



VGA socket outlet, SNAP IN 4.6 mm

Installation wall thickness 4.6 mm – with 15pole D-subminiature jack (front)
Dimensions (W x H x D) 45 x 45 x 37 mm – for catch fixing
– with screw terminals

Observe the instructions of the cable and device manufacturers for maximum cable length!

▶ 197



Design
white

Order no.
WS276

PU
1



DVI socket outlet, SNAP IN 4.6 mm

Installation wall thickness 4.6 mm – with DVI-D jack
Dimensions (W x H x D) 45 x 45 x 37.5 mm – for catch fixing
– with screw terminals

Observe the instructions of the cable and device manufacturers for maximum cable length!



Design
white

Order no.
WS274

PU
1



Component S-Video socket outlet, SNAP IN 4.6 mm

Installation wall thickness 4.6 mm – with 3 cinch jacks (Y, Pb, Pr)
Dimensions (W x H x D) 45 x 45 x 40 mm – for catch fixing
– with screw terminals



Design
white

Order no.
WS262

PU
1

Multimedia socket outlets "SNAP IN"



High Definition socket outlet, SNAP IN 4.6 mm

Resolution max. 1920 x 1080 px – with HDMI™ jack type A
Installation wall thickness 4.6 mm – 19pole
Dimensions (W x H x D) 45 x 45 x 34 mm – for catch fixing
– with screw terminals

Observe the instructions of the cable and device manufacturers for maximum cable length!



Design
white

Order no.
WS264

PU
1



High Definition socket outlet, SNAP IN 4.6 mm

- labelling field



Resolution max. 1920 x 1080 px
Installation wall thickness 4.6 mm
Dimensions (W x H x D) 45 x 45 x 27.5 mm

Observe the instructions of the cable and device manufacturers for maximum cable length!

– with HDMI™ double jack type A
– 19pole
– for catch fixing



Design
white

Order no.
WS263

PU
1



Cinch/S-Video socket outlet, SNAP IN 4.6 mm

▶ 197

| | | |
|-----------------------------|-----------------|---|
| Installation wall thickness | 4.6 mm | – 2 cinch jacks for audio connection (red, white) |
| Dimensions (W x H x D) | 45 x 45 x 39 mm | – with S-Video jack |
| | | – for catch fixing |
| | | – with screw terminals |



| | | |
|--------|--------------|----|
| Design | Order no. | PU |
| white | WS279 | 1 |



Cinch socket outlet 3gang, SNAP IN 4.6 mm

| | | |
|-----------------------------|-----------------|---|
| Installation wall thickness | 4.6 mm | – 1 cinch jack for video connection (yellow) |
| Dimensions (W x H x D) | 45 x 45 x 40 mm | – 2 cinch jacks for audio connection (red, white) |
| | | – for catch fixing |
| | | – with screw terminals |



| | | |
|--------|--------------|----|
| Design | Order no. | PU |
| white | WS261 | 1 |



USB socket outlet, SNAP IN 4.6 mm

| | | |
|-----------------------------|-------------------|---|
| Rated voltage | 5 V= | – for charging mobile end devices via USB cable |
| Conductor Ø (power) | AWG 26-24 | – with USB socket type A, USB 2.0 compatible |
| Conductor Ø (data) | AWG 28-26 | – for catch fixing |
| Line length | max. 5 m | – with screw terminals |
| Installation wall thickness | 4.6 mm | |
| Dimensions (W x H x D) | 45 x 45 x 33.5 mm | |



| | | |
|--------|--------------|----|
| Design | Order no. | PU |
| white | WS265 | 1 |

Data communication - 45 x 45

FCC socket outlets "SNAP IN"



FCC socket outlet 8pole shielded, cat.6, SNAP IN 4.6 mm

▶ 204

- labelling field



| | | |
|-----------------------------|-------------------|---|
| Rated voltage | 72 V= | – width: 1 module unit |
| Rated current | 0.5 A | – with dust protection cover |
| Transmission bandwidth | max. 250 MHz | – for RJ11, RJ12 and RJ45 plugs |
| Signal contact resistance | 20 mΩ | – suitable for PoE+ |
| Shield contact resistance | 100 mΩ | – with screen contacting 360° and strain relief |
| Conductor Ø | 0.4 ... 0.65 mm | – for catch fixing |
| Installation depth | 40 mm | – suitable for flush-mounted installation |
| Installation wall thickness | 4.6 mm | – with cutting terminals |
| Dimensions (W x H x D) | 22.5 x 45 x 37 mm | |

Design according to DIN IEC 60603-7-51
 Cat.6 according to DIN EN 50173-1 and ISO/IEC 11801, 2nd edition
 Protective screen according to DIN EN 55022, Class B
 Colour code A and B according to TIA/EIA-568-B.2



| | | |
|--------|--------------|----|
| Design | Order no. | PU |
| white | WS225 | 10 |



FCC socket outlet 8pole shielded, cat.6, SNAP IN 4.6 mm

▶ 204

- labelling field



| | |
|-----------------------------|-----------------|
| Rated voltage | 72 V= |
| Rated current | 0.5 A |
| Transmission bandwidth | max. 250 MHz |
| Signal contact resistance | 20 mΩ |
| Shield contact resistance | 100 mΩ |
| Conductor Ø | 0.4 ... 0.65 mm |
| Installation depth | 40 mm |
| Installation wall thickness | 4.6 mm |
| Dimensions (W x H x D) | 45 x 45 x 37 mm |

- width: 2 module units
- with dust protection cover
- for RJ11, RJ12 and RJ45 plugs
- suitable for PoE+
- with screen contacting 360° and strain relief
- for catch fixing
- suitable for flush-mounted installation
- with cutting terminals

Design to according to DIN IEC 60603-7-51
Cat.6 according to DIN EN 50173-1 and ISO/IEC 11801, 2nd edition
Protective screen according to DIN EN 55022, Class B
Colour code A and B according to TIA/EIA-568-B.2



| | | |
|--------|--------------|----|
| Design | Order no. | PU |
| white | WS226 | 1 |

SCHUKO socket outlets for special applications - Berker integro

SCHUKO socket outlets with insulation-piercing terminals

- for 4-hole screw fitting
- new insulation displacement contact technology: quick and easy connection with the joining tool, order no. 8 1726 25 81
- VDE approval
- up to 2 flexible conductors with a cross section of 2.5 mm² can be connected for each insulation displacement contact; wires do not have to be stripped in advance.
- enables multiple socket outlets to be looped through without breaking the conductors.
- IPT contacts made from copper alloy, tin-plated
- thermoplastic centre plates and bases
- base with snap-on safety cap



SCHUKO socket outlet

- insulation-piercing terminals

▶ 198



| | |
|------------------------------------|---------------------|
| Rated voltage | 250 V~ |
| Rated current | 16 A |
| Conductor cross-section (flexible) | 2.5 mm ² |

| | | |
|--|------------------|-------------|
| Suitable for | Order no. | Page |
| Optional | | |
| Sealing IP44 for socket outlets with insulation-piercing terminals | | from p. 178 |
| Frame with hinged cover and imprint "IP44" | | from p. 178 |

Earth bracket clamping forces according to TNO requirements.

Not suitable for contact protection boxes (cavity walls).

Connection terminals according to IEC 60884-1



| | | |
|-------------|---------------------|-----|
| Design | Order no. | PU |
| red matt | 8 4800 25 07 | 200 |
| green matt | 8 4800 25 03 | 200 |
| orange matt | 8 4800 25 04 | 200 |



SCHUKO socket outlet

- enhanced contact protection
- insulation-piercing terminals



| | |
|------------------------------------|---------------------|
| Rated voltage | 250 V~ |
| Rated current | 16 A |
| Conductor cross-section (flexible) | 2.5 mm ² |

Earth bracket clamping forces according to TNO requirements.

Not suitable for contact protection boxes (cavity walls).

Connection terminals according to IEC 60884-1

Enhanced contact protection according to IEC 60884-1

**Suitable for
Optional**

Sealing IP44 for socket outlets with insulation-piercing terminals
Frame with hinged cover and imprint "IP44"

Order no.

▶ 198

Page
from p.
178
from p.
178

| Design | Order no. | PU |
|-------------|---------------------|-----|
| red matt | 8 4801 25 07 | 200 |
| green matt | 8 4801 25 03 | 200 |
| orange matt | 8 4801 25 04 | 200 |



SCHUKO socket outlet with control LED

- insulation-piercing terminals



| | |
|------------------------------------|---------------------|
| Rated voltage | 250 V~ |
| Rated current | 16 A |
| LED current | 1 mA |
| Conductor cross-section (flexible) | 2.5 mm ² |

Earth bracket clamping forces according to TNO requirements.

Not suitable for contact protection boxes (cavity walls).

Connection terminals according to IEC 60884-1

- with green control LED as function light

**Suitable for
Optional**

Frame with hinged cover and imprint "IP44"

Sealing IP44 for socket outlets with insulation displacement contacts 9 1853 01

Order no.

▶ 198

Page
from p.
178
79

| Design | Order no. | PU |
|-------------|---------------------|-----|
| red matt | 8 4800 25 17 | 200 |
| green matt | 8 4800 25 13 | 200 |
| orange matt | 8 4800 25 14 | 200 |



SCHUKO socket outlet with control LED

- enhanced contact protection
- insulation-piercing terminals



| | |
|------------------------------------|---------------------|
| Rated voltage | 250 V~ |
| Rated current | 16 A |
| LED current | 1 mA |
| Conductor cross-section (flexible) | 2.5 mm ² |

Earth bracket clamping forces according to TNO requirements.

Not suitable for contact protection boxes (cavity walls).

Connection terminals according to IEC 60884-1

Enhanced contact protection according to IEC 60884-1

- with green control LED as function light

**Suitable for
Optional**

Frame with hinged cover and imprint "IP44"

Sealing IP44 for socket outlets with insulation displacement contacts 9 1853 01




Order no.




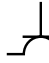
▶ 198




Page
from p.
178
79

| Design | Order no. | PU |
|-------------|---------------------|-----|
| red matt | 8 4801 25 17 | 200 |
| green matt | 8 4801 25 13 | 200 |
| orange matt | 8 4801 25 14 | 200 |



| | | | |
|---|--|--|--|
|  | SCHUKO socket outlet 45° - insulation-piercing terminals | | ▶ 198 |
| | - for diagonal installation | | |
| |  | Suitable for Optional Sealing IP44 for socket outlets with insulation-piercing terminals Frame with hinged cover and imprint "IP44" | Order no. from p. 178 from p. 178 |
| | Rated voltage Rated current Conductor cross-section (flexible) | 250 V~ 16 A 2.5 mm ² | |
| | Earth bracket clamping forces according to TNO requirements. Not suitable for contact protection boxes (cavity walls). Connection terminals according to IEC 60884-1 | | |
| | Design | Order no. | PU |
|  | red matt | 8 4850 25 07 | 200 |
| | green matt | 8 4850 25 03 | 200 |
| | orange matt | 8 4850 25 04 | 200 |

| | | | |
|---|--|--|--|
|  | SCHUKO socket outlet 45° - enhanced contact protection - insulation-piercing terminals | | ▶ 198 |
| | - for diagonal installation | | |
| |   | Suitable for Optional Sealing IP44 for socket outlets with insulation-piercing terminals Frame with hinged cover and imprint "IP44" | Order no. from p. 178 from p. 178 |
| | Rated voltage Rated current Conductor cross-section (flexible) | 250 V~ 16 A 2.5 mm ² | |
| | Earth bracket clamping forces according to TNO requirements. Not suitable for contact protection boxes (cavity walls). Connection terminals according to IEC 60884-1 Enhanced contact protection according to IEC 60884-1 | | |
| | Design | Order no. | PU |
|  | red matt | 8 4851 25 07 | 200 |
| | green matt | 8 4851 25 03 | 200 |
| | orange matt | 8 4851 25 04 | 200 |

| | | | |
|---|--|---|--|
|  | SCHUKO socket outlet 45° with control LED - insulation-piercing terminals | | ▶ 198 |
| | - with green control LED as function light - for diagonal installation | | |
| |  | Suitable for Optional Frame with hinged cover and imprint "IP44" Sealing IP44 for socket outlets with insulation displacement contacts | Order no. 9 1853 01 from p. 178 79 |
| | Rated voltage Rated current LED current Conductor cross-section (flexible) | 250 V~ 16 A 1 mA 2.5 mm ² | |
| | Earth bracket clamping forces according to TNO requirements. Not suitable for contact protection boxes (cavity walls). Connection terminals according to IEC 60884-1 | | |
| | Design | Order no. | PU |
|  | red matt | 8 4850 25 17 | 200 |
| | green matt | 8 4850 25 13 | 200 |
| | orange matt | 8 4850 25 14 | 200 |

SCHUKO socket outlet 45° with control LED

▶ 198



- enhanced contact protection
- insulation-piercing terminals

- with green control LED as function light
- for diagonal installation



| | |
|------------------------------------|---------------------|
| Rated voltage | 250 V~ |
| Rated current | 16 A |
| LED current | 1 mA |
| Conductor cross-section (flexible) | 2.5 mm ² |

| Suitable for | Order no. | Page |
|---|-----------|-------------|
| Optional | | |
| Frame with hinged cover and imprint "IP44" | | from p. 178 |
| Sealing IP44 for socket outlets with insulation displacement contacts | 9 1853 01 | 79 |

Earth bracket clamping forces according to TNO requirements.

Not suitable for contact protection boxes (cavity walls).

Connection terminals according to IEC 60884-1

Enhanced contact protection according to IEC 60884-1

| Design | Order no. | PU |
|-------------|---------------------|-----|
| red matt | 8 4851 25 17 | 200 |
| green matt | 8 4851 25 13 | 200 |
| orange matt | 8 4851 25 14 | 200 |



Joining tool for Berker integro socket outlets with IPT technology

▶ 198

| Design | Order no. | PU |
|-----------|---------------------|-----|
| blue matt | 8 1726 25 81 | 200 |
| blue matt | 9 1726 25 81 | 10 |

SCHUKO socket outlets with SNAP IN and plug-in terminals

- for catch fixing
- thermoplastic centre plates and bases
- contacts made of copper alloy

SCHUKO socket outlet 45° with control LED, SNAP IN

▶ 196



- enhanced contact protection
- plug-in terminals

- with green control LED as function light
- with distance sealing ring
- for diagonal installation



| | |
|-----------------------------|--------|
| Operating voltage | 250 V~ |
| Rated current | 16 A |
| LED current | 1 mA |
| Installation wall thickness | 2 mm |

| Suitable for | Order no. | Page |
|-----------------|-----------|-------------|
| Optional | | |
| Frame with lens | | from p. 176 |

Earth bracket clamping forces according to TNO requirements.

Not suitable for contact protection boxes (cavity walls).

Standard NEN 1010

Connection terminals according to IEC 60884-1


Enhanced contact protection according to IEC 60884-1

| Design | Order no. | PU |
|--|---------------------|-----|
| for installation wall thickness 2 mm (± 0.2 mm) | | |
| red matt | 9 4713 25 76 | 200 |
| green matt | 9 4713 25 03 | 200 |
| orange matt | 9 4713 25 04 | 200 |



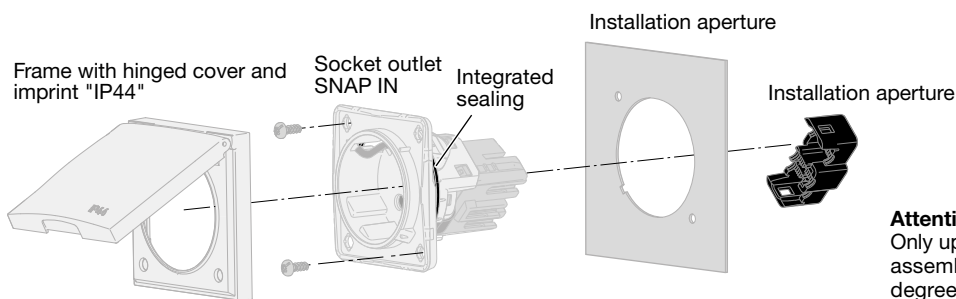
SCHUKO socket outlets with "SNAP IN" and insulation-piercing terminals




- for catch fixing
- new insulation displacement contact technology: quick and easy connection with the joining tool, order no. 8 1726 25 81
- VDE approval
- up to 2 flexible conductors with a cross section of 2.5 mm² can be connected for each insulation displacement contact; wires do not have to be stripped in advance.
- enables multiple socket outlets to be looped through without breaking the conductors.
- IPT contacts made from copper alloy, tin-plated
- thermoplastic centre plates and bases
- base with snap-on safety cap

 Marked items are only suitable for splash-protected IP44 installation when used in conjunction with corresponding frame with hinged cover and imprint "IP44".

Assembly instructions for IP44 socket outlets with insulation-piercing terminals

Not suitable for contact protection boxes!



| | | | |
|---|--|------------------------------|-------------|
|  | SCHUKO socket outlet, SNAP IN | | ▶ 198 |
| | - insulation-piercing terminals | | |
|  | Rated voltage | 250 V~ | |
| | Rated current | 16 A | |
| | Conductor cross-section (flexible) | 2.5 mm ² | |
| | Earth bracket clamping forces according to TNO requirements. | | |
| | Not suitable for contact protection boxes (cavity walls). | | |
| | Connection terminals according to IEC 60884-1 | | |
| | | - with distance sealing ring | |
| | Suitable for Optional | Order no. | Page |
| | Frame with hinged cover and imprint "IP44" | | from p. 178 |
|  | Design | Order no. | PU |
| | for installation wall thickness 1 mm (± 0.1 mm) | | |
| | red matt | 8 4810 25 07 | 200 |
| | green matt | 8 4810 25 03 | 200 |
| | orange matt | 8 4810 25 04 | 200 |
| | for installation wall thickness 2 mm (+0.1/-0.3 mm) | | |
| | red matt | 8 4820 25 07 | 200 |
| | green matt | 8 4820 25 03 | 200 |
| | orange matt | 8 4820 25 04 | 200 |
| | for installation wall thickness 3 mm (+0.1/-0.3 mm) | | |
| | red matt | 8 4830 25 07 | 200 |
| | green matt | 8 4830 25 03 | 200 |
| | orange matt | 8 4830 25 04 | 200 |



SCHUKO socket outlet, SNAP IN

- enhanced contact protection
- insulation-piercing terminals



| | |
|------------------------------------|---------------------|
| Rated voltage | 250 V~ |
| Rated current | 16 A |
| Conductor cross-section (flexible) | 2.5 mm ² |

Earth bracket clamping forces according to TNO requirements.

Not suitable for contact protection boxes (cavity walls).

Connection terminals according to IEC 60884-1

Enhanced contact protection according to IEC 60884-1

- with distance sealing ring

Suitable for
Optional

Frame with hinged cover and imprint "IP44"

Order no.

▶ 198

Page

from p.
178

| Design | Order no. | PU |
|--|--------------|-----|
| for installation wall thickness 1 mm (± 0.1 mm) | | |
| red matt | 8 4811 25 07 | 200 |
| green matt | 8 4811 25 03 | 200 |
| orange matt | 8 4811 25 04 | 200 |
| for installation wall thickness 2 mm (+0.1/-0.3 mm) | | |
| red matt | 8 4821 25 07 | 200 |
| green matt | 8 4821 25 03 | 200 |
| orange matt | 8 4821 25 04 | 200 |
| for installation wall thickness 3 mm (+0.1/-0.3 mm) | | |
| red matt | 8 4831 25 07 | 200 |
| green matt | 8 4831 25 03 | 200 |
| orange matt | 8 4831 25 04 | 200 |



SCHUKO socket outlet with control LED, SNAP IN

- insulation-piercing terminals



| | |
|------------------------------------|---------------------|
| Rated voltage | 250 V~ |
| Rated current | 16 A |
| LED current | 1 mA |
| Conductor cross-section (flexible) | 2.5 mm ² |

Earth bracket clamping forces according to TNO requirements.

Not suitable for contact protection boxes (cavity walls).

Connection terminals according to IEC 60884-1

- with green control LED as function light
- with distance sealing ring

Suitable for
Frame with lens

Order no.

▶ 198

Page

from p.
176

| Design | Order no. | PU |
|--|--------------|-----|
| for installation wall thickness 1 mm (± 0.1 mm) | | |
| red matt | 8 4810 25 17 | 200 |
| green matt | 8 4810 25 13 | 200 |
| orange matt | 8 4810 25 14 | 200 |
| for installation wall thickness 2 mm (+0.1/-0.3 mm) | | |
| red matt | 8 4820 25 17 | 200 |
| green matt | 8 4820 25 13 | 200 |
| orange matt | 8 4820 25 14 | 200 |
| for installation wall thickness 3 mm (+0.1/-0.3 mm) | | |
| red matt | 8 4830 25 17 | 200 |
| green matt | 8 4830 25 13 | 200 |
| orange matt | 8 4830 25 14 | 200 |





SCHUKO socket outlet with control LED, SNAP IN

▶ 198

- enhanced contact protection
- insulation-piercing terminals



| | |
|------------------------------------|---------------------|
| Rated voltage | 250 V~ |
| Rated current | 16 A |
| LED current | 1 mA |
| Conductor cross-section (flexible) | 2.5 mm ² |

- with green control LED as function light
- with distance sealing ring

Suitable for
Frame with lens

Order no.

Page
from p.
176

Earth bracket clamping forces according to TNO requirements.

Not suitable for contact protection boxes (cavity walls).

Connection terminals according to IEC 60884-1

Enhanced contact protection according to IEC 60884-1

| Design | Order no. | PU |
|--|---------------------|-----|
| for installation wall thickness 1 mm (± 0.1 mm) | | |
| red matt | 8 4811 25 17 | 200 |
| green matt | 8 4811 25 13 | 200 |
| orange matt | 8 4811 25 14 | 200 |
| for installation wall thickness 2 mm (+0.1/-0.3 mm) | | |
| red matt | 8 4821 25 17 | 200 |
| green matt | 8 4821 25 13 | 200 |
| orange matt | 8 4821 25 14 | 200 |
| for installation wall thickness 3 mm (+0.1/-0.3 mm) | | |
| red matt | 8 4831 25 17 | 200 |
| green matt | 8 4831 25 13 | 200 |
| orange matt | 8 4831 25 14 | 200 |



SCHUKO socket outlet 45°, SNAP IN

▶ 198

- insulation-piercing terminals



| | |
|------------------------------------|---------------------|
| Rated voltage | 250 V~ |
| Rated current | 16 A |
| Conductor cross-section (flexible) | 2.5 mm ² |

- with distance sealing ring
- for diagonal installation

Suitable for
Optional
Frame with hinged cover and imprint "IP44"

Order no.

Page
from p.
178

Earth bracket clamping forces according to TNO requirements.

Not suitable for contact protection boxes (cavity walls).

Connection terminals according to IEC 60884-1

| Design | Order no. | PU |
|--|---------------------|-----|
| for installation wall thickness 1 mm (± 0.1 mm) | | |
| red matt | 8 4860 25 07 | 200 |
| green matt | 8 4860 25 03 | 200 |
| orange matt | 8 4860 25 04 | 200 |
| for installation wall thickness 2 mm (+0.1/-0.3 mm) | | |
| red matt | 8 4870 25 07 | 200 |
| green matt | 8 4870 25 03 | 200 |
| orange matt | 8 4870 25 04 | 200 |
| for installation wall thickness 3 mm (+0.1/-0.3 mm) | | |
| red matt | 8 4880 25 07 | 200 |
| green matt | 8 4880 25 03 | 200 |
| orange matt | 8 4880 25 04 | 200 |





SCHUKO socket outlet 45°, SNAP IN

- enhanced contact protection
- insulation-piercing terminals



| | |
|------------------------------------|---------------------|
| Rated voltage | 250 V~ |
| Rated current | 16 A |
| Conductor cross-section (flexible) | 2.5 mm ² |

Earth bracket clamping forces according to TNO requirements.

Not suitable for contact protection boxes (cavity walls).

Connection terminals according to IEC 60884-1

Enhanced contact protection according to IEC 60884-1

- with distance sealing ring
- for diagonal installation

Suitable for
Optional

Frame with hinged cover and imprint "IP44"

Order no.

▶ 198

Page

from p.
178

| Design | Order no. | PU |
|--|---------------------|-----|
| for installation wall thickness 1 mm (± 0.1 mm) | | |
| red matt | 8 4861 25 07 | 200 |
| green matt | 8 4861 25 03 | 200 |
| orange matt | 8 4861 25 04 | 200 |
| for installation wall thickness 2 mm (+0.1/-0.3 mm) | | |
| red matt | 8 4871 25 07 | 200 |
| green matt | 8 4871 25 03 | 200 |
| orange matt | 8 4871 25 04 | 200 |
| for installation wall thickness 3 mm (+0.1/-0.3 mm) | | |
| red matt | 8 4881 25 07 | 200 |
| green matt | 8 4881 25 03 | 200 |
| orange matt | 8 4881 25 04 | 200 |



SCHUKO socket outlet 45° with control LED, SNAP IN

- insulation-piercing terminals



| | |
|------------------------------------|---------------------|
| Rated voltage | 250 V~ |
| Rated current | 16 A |
| LED current | 1 mA |
| Conductor cross-section (flexible) | 2.5 mm ² |

Earth bracket clamping forces according to TNO requirements.

Not suitable for contact protection boxes (cavity walls).

Connection terminals according to IEC 60884-1

- with green control LED as function light
- with distance sealing ring
- for diagonal installation

Suitable for
Frame with lens

Order no.


▶ 198

Page
from p.
176



| Design | Order no. | PU |
|--|---------------------|-----|
| for installation wall thickness 1 mm (± 0.1 mm) | | |
| red matt | 8 4860 25 17 | 200 |
| green matt | 8 4860 25 13 | 200 |
| orange matt | 8 4860 25 14 | 200 |
| for installation wall thickness 2 mm (+0.1/-0.3 mm) | | |
| red matt | 8 4870 25 17 | 200 |
| green matt | 8 4870 25 13 | 200 |
| orange matt | 8 4870 25 14 | 200 |
| for installation wall thickness 3 mm (+0.1/-0.3 mm) | | |
| red matt | 8 4880 25 17 | 200 |
| green matt | 8 4880 25 13 | 200 |
| orange matt | 8 4880 25 14 | 200 |



SCHUKO socket outlet 45° with control LED, SNAP IN ▶ 198



- enhanced contact protection
- insulation-piercing terminals

Rated voltage 250 V~
Rated current 16 A
LED current 1 mA
Conductor cross-section (flexible) 2.5 mm²

Earth bracket clamping forces according to TNO requirements.
Not suitable for contact protection boxes (cavity walls).
Connection terminals according to IEC 60884-1
Enhanced contact protection according to IEC 60884-1

- with green control LED as function light
- with distance sealing ring
- for diagonal installation

Suitable for Frame with lens

Order no.


Page from p. 176

| Design | Order no. | PU |
|--|---------------------|-----|
| for installation wall thickness 1 mm (± 0.1 mm) | | |
| red matt | 8 4861 25 17 | 200 |
| green matt | 8 4861 25 13 | 200 |
| orange matt | 8 4861 25 14 | 200 |
| for installation wall thickness 2 mm (+0.1/-0.3 mm) | | |
| red matt | 8 4871 25 17 | 200 |
| green matt | 8 4871 25 13 | 200 |
| orange matt | 8 4871 25 14 | 200 |
| for installation wall thickness 3 mm (+0.1/-0.3 mm) | | |
| red matt | 8 4881 25 17 | 200 |
| green matt | 8 4881 25 13 | 200 |
| orange matt | 8 4881 25 14 | 200 |


Socket outlets with earthing pin for spec. applications - Berker integro

Socket outlets with earthing pin and insulation-piercing terminals



- for 4-hole screw fitting
- new insulation displacement contact technology: quick and easy connection with the joining tool, order no. 8 1726 25 81
- VDE approval
- up to 2 flexible conductors with a cross section of 2.5 mm² can be connected for each insulation displacement contact; wires do not have to be stripped in advance.
- enables multiple socket outlets to be looped through without breaking the conductors.
- IPT contacts made from copper alloy, tin-plated
- thermoplastic centre plates and bases
- base with snap-on safety cap

 Marked items are only suitable for splash-protected IP44 installation when used in conjunction with sealing (order no. 9 1853 01) and frame with hinged cover and imprint "IP44".

Socket outlet with earthing pin ▶ 198



- enhanced contact protection
- insulation-piercing terminals

Rated voltage 250 V~
Rated current 16 A
Conductor cross-section (flexible) 2.5 mm²

Earth bracket clamping forces according to TNO requirements.
Not suitable for contact protection boxes (cavity walls).
Connection terminals according to IEC 60884-1
Enhanced contact protection according to IEC 60884-1

- 2pole + earth
- with screw terminals

Suitable for Sealing IP44 for socket outlets with insulation-piercing terminals
Frame with hinged cover and imprint "IP44"

Optional

Order no.

Page from p. 178
from p. 178

| Design | Order no. | PU |
|-------------|---------------------|-----|
| red matt | 8 6301 25 07 | 200 |
| green matt | 8 6301 25 03 | 200 |
| orange matt | 8 6301 25 04 | 200 |

Socket outlet with earthing pin and control LED

▶ 198



- enhanced contact protection
- insulation-piercing terminals



| | |
|------------------------------------|---------------------|
| Rated voltage | 250 V~ |
| Rated current | 16 A |
| LED current | 1 mA |
| Conductor cross-section (flexible) | 2.5 mm ² |

- with green control LED as function light
- 2pole + earth
- with screw terminals

| Suitable for | Order no. | Page |
|---|-----------|-------------|
| Optional | | |
| Frame with hinged cover and imprint "IP44" | | from p. 178 |
| Sealing IP44 for socket outlets with insulation displacement contacts | 9 1853 01 | 79 |

Earth bracket clamping forces according to TNO requirements.

Not suitable for contact protection boxes (cavity walls).

Connection terminals according to IEC 60884-1

Enhanced contact protection according to IEC 60884-1

| Design | Order no. | PU |
|-------------|---------------------|-----|
| red matt | 8 6301 25 17 | 200 |
| green matt | 8 6301 25 13 | 200 |
| orange matt | 8 6301 25 14 | 200 |



Socket outlet with earthing pin 45°

▶ 198



- enhanced contact protection
- insulation-piercing terminals



| | |
|------------------------------------|---------------------|
| Rated voltage | 250 V~ |
| Rated current | 16 A |
| Conductor cross-section (flexible) | 2.5 mm ² |

- for diagonal installation
- 2pole + earth
- with cutting terminals

| Suitable for | Order no. | Page |
|--|-----------|-------------|
| Optional | | |
| Sealing IP44 for socket outlets with insulation-piercing terminals | | from p. 178 |
| Frame with hinged cover and imprint "IP44" | | from p. 178 |

Earth bracket clamping forces according to TNO requirements.

Not suitable for contact protection boxes (cavity walls).

Connection terminals according to IEC 60884-1

Enhanced contact protection according to IEC 60884-1

| Design | Order no. | PU |
|-------------|---------------------|-----|
| red matt | 8 6351 25 07 | 200 |
| green matt | 8 6351 25 03 | 200 |
| orange matt | 8 6351 25 04 | 200 |



Socket outlet with earthing pin 45° and control LED

▶ 198



- enhanced contact protection
- insulation-piercing terminals



| | |
|------------------------------------|---------------------|
| Rated voltage | 250 V~ |
| Rated current | 16 A |
| LED current | 1 mA |
| Conductor cross-section (flexible) | 2.5 mm ² |

- with green control LED as function light
- for diagonal installation
- 2pole + earth
- with cutting terminals

| Suitable for | Order no. | Page |
|---|-----------|-------------|
| Optional | | |
| Frame with hinged cover and imprint "IP44" | | from p. 178 |
| Sealing IP44 for socket outlets with insulation displacement contacts | 9 1853 01 | 79 |

Earth bracket clamping forces according to TNO requirements.

Not suitable for contact protection boxes (cavity walls).

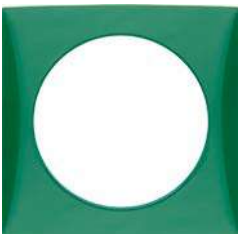
Connection terminals according to IEC 60884-1


Enhanced contact protection according to IEC 60884-1


| Design | Order no. | PU |
|-------------|---------------------|-----|
| red matt | 8 6351 25 17 | 200 |
| green matt | 8 6351 25 13 | 200 |
| orange matt | 8 6351 25 14 | 200 |






Frames for special applications - Berker integro

| | | | |
|---|-------------------------------------|---------------------|-------|
|  | Frame 1gang | | ▶ 200 |
| | Design | Order no. | PU |
| | Berker integro - design flow | | |
| | red glossy | 9 1827 25 76 | 10 |
| | green glossy | 9 1827 25 70 | 10 |
| | orange glossy | 9 1827 25 74 | 10 |



| | | | |
|---|--|------------------|-------|
|  | Frame 1gang | | ▶ 200 |
| | Design | Order no. | PU |
| | Berker integro - design classic | | |
| | red glossy | 9 1827 86 | 10 |
| | green glossy | 9 1827 87 | 10 |
| | orange glossy | 9 1827 88 | 10 |

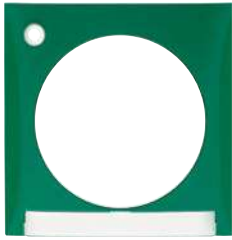
| | | | |
|--|-------------------------------------|--|-------|
|  | Frame 2gang | | ▶ 200 |
| | | – for vertical and horizontal mounting | |
| | Design | Order no. | PU |
| | Berker integro - design flow | | |
| | red glossy | 8 1826 25 76 | 100 |
| | red glossy | 9 1826 25 76 | 2 |
| | green glossy | 9 1826 25 70 | 2 |
| | orange glossy | 9 1826 25 74 | 2 |

| | | | |
|---|-------------------------------------|--|-------|
|  | Frame 3gang | | ▶ 200 |
| | | – for vertical and horizontal mounting | |
| | Design | Order no. | PU |
| | Berker integro - design flow | | |
| | red glossy | 9 1819 25 76 | 2 |
| | green glossy | 9 1819 25 70 | 2 |
| | orange glossy | 9 1819 25 74 | 2 |

| | | | |
|---|---|-----------|----|
|  | Frame | | |
| | - labelling field | | |
| |  | | |
| | Labelling field height arranged for P-touch strips 6 mm. | | |
| | Design | Order no. | PU |
| Berker integro - design flow | | | |
| red glossy | 9 1803 25 76 | 10 | |
| green glossy | 9 1803 25 90 | 10 | |
| orange glossy | 9 1803 25 94 | 10 | |

Frame with lens

| | | | |
|---|---|---------------------------------|----|
|  | Frame | | |
| | - lens upper right / Lens down left | – for socket with indicator LED | |
| |  | | |
| | Design | Order no. | PU |
| | Berker integro - design flow | | |
| red glossy | 9 1987 25 76 | 10 | |
| green glossy | 9 1987 25 03 | 10 | |
| orange glossy | 9 1987 25 04 | 10 | |



Frame

- labelling field – for socket with indicator LED
- lens upper left / Lens down right



Labelling field height arranged for P-touch strips 6 mm.

| Design | Order no. | PU |
|-------------------------------------|---------------------|-----|
| Berker integro - design flow | | |
| red glossy | 8 1970 25 76 | 200 |
| green glossy | 8 1970 25 03 | 200 |
| orange glossy | 8 1970 25 04 | 200 |



Frame

- labelling field – for socket with indicator LED
- lens upper right / Lens down left



Labelling field height arranged for P-touch strips 6 mm.

| Design | Order no. | PU |
|-------------------------------------|---------------------|-----|
| Berker integro - design flow | | |
| red glossy | 8 1977 25 76 | 200 |
| green glossy | 8 1977 25 03 | 200 |
| orange glossy | 8 1977 25 04 | 200 |

Frames with hinged cover



Frame with hinged cover

- ▶ 200 – for covering of socket outlets

| Design | Order no. | PU |
|-------------------------------------|---------------------|----|
| Berker integro - design flow | | |
| red glossy | 9 1828 25 76 | 10 |
| green glossy | 9 1828 25 70 | 10 |
| orange glossy | 9 1828 25 74 | 10 |



Frame with hinged cover

- labelling field – with 2 labelling field inlays, neutral and perforated for socket outlet with indicator LED
- for covering of socket outlets



Labelling field height arranged for P-touch strips 9 mm.

| Design | Order no. | PU |
|-------------------------------------|---------------------|----|
| Berker integro - design flow | | |
| red glossy | 9 1988 25 76 | 10 |
| green glossy | 9 1988 25 03 | 10 |
| orange glossy | 9 1988 25 04 | 10 |

New



Frame with hinged cover

- labelling field – with 2 labelling field inlays, neutral and perforated for socket outlet with indicator LED
- for covering of socket outlets



Labelling field height arranged for P-touch strips 9 mm.

| Design | Order no. | PU |
|-------------------------|-----------------------|----|
| Lens bottom left | | |
| green glossy | ★ 9 1988 25 83 | 10 |
| orange glossy | ★ 9 1988 25 84 | 10 |
| red glossy | ★ 9 1988 25 86 | 10 |



Lens bottom right

| | | |
|---------------|----------------|----|
| green glossy | ★ 9 1988 25 93 | 10 |
| orange glossy | ★ 9 1988 25 94 | 10 |
| red glossy | ★ 9 1988 25 96 | 10 |

IP44 applications

 Marked items are only suitable for splash-protected IP44 installation when used in conjunction with the corresponding sealing accessories and Berker integro module insert.

 **Frame with hinged cover and imprint "IP44"**



- without sealing
- for waterproof covering of socket outlets

| Suitable for | Order no. | Page |
|--|-----------|-------------|
| SCHUKO socket outlets for special applications - Berker integro | | from p. 166 |
| Socket outlets with earthing pin for spec. applications - Berker integro | | from p. 174 |
| Sealing IP44 for socket outlets with insulation-piercing terminals | | from p. 178 |

Design Order no. PU

Berker integro - design flow

| | | |
|---------------|--------------|----|
| red glossy | 9 1828 25 86 | 10 |
| green glossy | 9 1828 25 90 | 10 |
| orange glossy | 9 1828 25 94 | 10 |

 **Frame with hinged cover and imprint "IP44"**



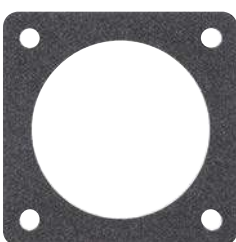
- without sealing
- for waterproof covering of socket outlets

| Suitable for | Order no. | Page |
|--|-----------|-------------|
| SCHUKO socket outlets for special applications - Berker integro | | from p. 166 |
| Socket outlets with earthing pin for spec. applications - Berker integro | | from p. 174 |
| Sealing IP44 for socket outlets with insulation-piercing terminals | | from p. 178 |

Design Order no. PU

Berker integro - design classic

| | | |
|---------------|-----------|----|
| red glossy | 9 1828 86 | 10 |
| green glossy | 9 1828 90 | 10 |
| orange glossy | 9 1828 94 | 10 |



Sealing IP44 for socket outlets with insulation-piercing terminals

| | | |
|---|--------|---|
| Material thickness | 2.5 mm | – for SCHUKO socket outlets with insulation-piercing terminals (frame with hinged cover "IP44" required!) |
| Cut-out Ø | 41 mm | |
| New sealing material: | | |
| Cellular rubber, closed cell (EPDM-S), permanently elastic whilst also higher strength. For optimum sealing effect and improved material behaviour during installation. | | |

| Suitable for | Order no. | Page |
|--|-----------|-------------|
| SCHUKO socket outlets with insulation-piercing terminals | | from p. 166 |
| Socket outlets with earthing pin and insulation-piercing terminals | | from p. 174 |
| Frame with hinged cover and imprint "IP44" | | from p. 178 |

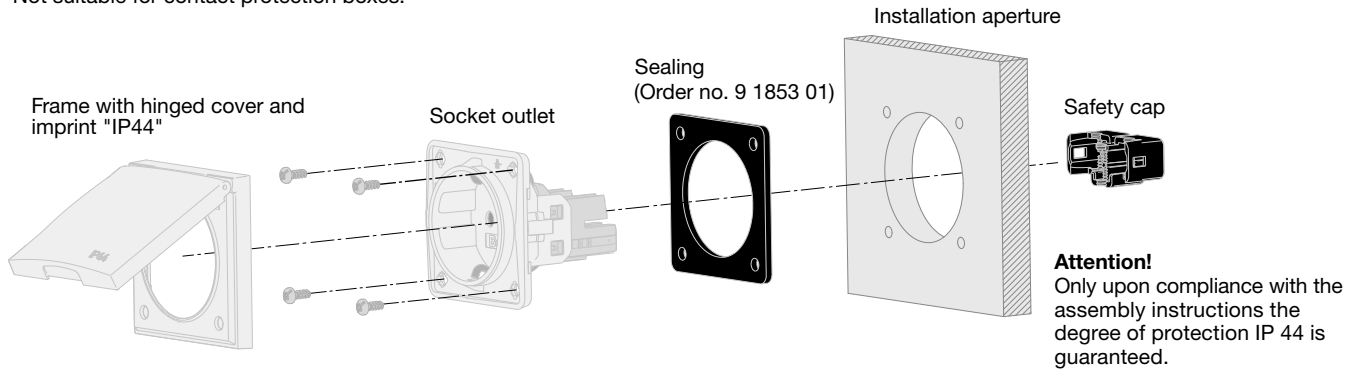
Design Order no. PU

| | | |
|-------|-----------|-----|
| black | 8 1853 01 | 200 |
|-------|-----------|-----|

| | | |
|-------|-----------|----|
| black | 9 1853 01 | 10 |
|-------|-----------|----|

Assembly instructions for IP44 socket outlets with insulation-piercing terminals

Not suitable for contact protection boxes!



Berker Solutions



Berker Solutions

The added customer benefits of customised solutions. Because of Berker's affiliation with the Hager Group, we can offer our customers an even wider range of solutions and services. By being in a position to respond to customer requests for customised products, we can offer new, innovative and added-value product solutions. In this section you will find solutions to reliable power supplies for caravanning, high-quality switch and socket outlet solutions for design-related applications or individually configured trunking. For example, efficiently furnishing complex buildings such as hospitals and laboratories with tailored trunking.



| | |
|---|-----|
| Berker Manufaktur | 184 |
| Berker special cable trunking solutions | 186 |
| Berker cable trunking on a roll | 188 |
| Berker distribution boards | 190 |

Berker Manufaktur

More and more people are following the trend of not following trends! For these kind of people we have Berker Manufaktur.

Berker was founded in 1919 as a “specialised factory for electro-technical devices.” Even our name signalled our intention of finding specialised solutions for customers. At Berker Manufaktur we can apply customised labelling,

innovative colours and elegant surface finishes to our range of switches.

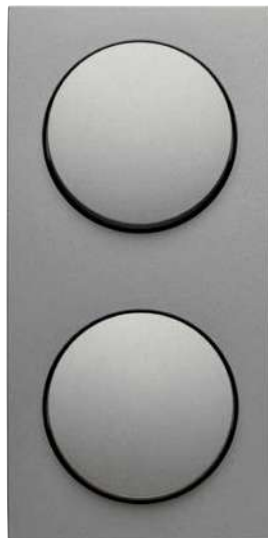
There are many ways to make switches as individual as the customer requires, and in principle, all of our switch ranges can be personalised.

We're looking forward to receiving your own special request!

Colouring



Berker Integro – Design Flow
2-gang switch combination
copper, matt, lacquered



Berker Integro - Design Pure
2-gang switch combination
nickel, matt, lacquered



Berker Integro – Design Pure
2-gang switch combination
titanium grey, matt, lacquered



Berker Integro – Design Flow/Pure
Hinged cover black chrome,
glossy, galvanised

Functional overview



Special labelling – Lettering and symbols



Berker Integro – Design Flow
hinged cover,
with individual printing



Berker Integro
switch printed with special symbols

Berker Special cable trunking solutions



Exceptions confirm the rule

Functional furniture and special-purpose vehicle construction demand extremely specific installation requirements.

Individual trunking solutions from the Hager Group offer a tailored electrical profile for any situation, as well as a unique touch in terms of design and quality.

From special lengths and colours to expressly developed solutions – we can find the right solution for your needs!

Berker

Cable trunking on a roll

The cable trunking on a roll has a flexible design and can be cut to customised lengths for space-saving storage,

plus an economical and ecological use of the installation material.



Cable trunkings on a roll, black, (W x H) 12 x 7 mm
Order no. OLFR701209011BE1

Cable trunkings on a roll, polar white, (W x H) 35 x 20 mm
Order no. OLFR2003509010BE1

Cable trunkings on a roll



Cable trunking with double sided adhesive tape

length

20 m

- PVC
- with perforated base
- with factory-made adhesive tape
- lower part and cover of trunking are joined

Purchase quantity of a minimum of 720 m.

| Design | Order no. | PU |
|--|--------------------------|----|
| polar white, Dimensions (W x H) 12 x 7 mm | OLFR701209010BE1 | 20 |
| polar white, Dimensions (W x H) 15 x 15 mm | OLFR1501509010BE1 | 20 |
| polar white, Dimensions (W x H) 20 x 20 mm | OLFR2002009010BE1 | 20 |
| polar white, Dimensions (W x H) 35 x 20 mm | OLFR2003509010BE1 | 20 |
| black, Dimensions (W x H) 12 x 7 mm | OLFR701209011BE1 | 20 |
| black, Dimensions (W x H) 15 x 15 mm | OLFR1501509011BE1 | 20 |
| black, Dimensions (W x H) 20 x 20 mm | OLFR2002009011BE1 | 20 |
| black, Dimensions (W x H) 35 x 20 mm | OLFR2003509011BE1 | 20 |



Cable trunking

length

20 m

- PVC
- with perforated base
- lower part and cover of trunking are joined

Purchase quantity of a minimum of 720 m.

| Design | Order no. | PU |
|--|--------------------------|----|
| polar white, Dimensions (W x H) 12 x 7 mm | OLFR701209010BE2 | 20 |
| polar white, Dimensions (W x H) 15 x 15 mm | OLFR1501509010BE2 | 20 |
| polar white, Dimensions (W x H) 20 x 20 mm | OLFR2002009010BE2 | 20 |
| polar white, Dimensions (W x H) 35 x 20 mm | OLFR2003509010BE2 | 20 |

Berker Distribution boards

Distribution boards are an essential requirement for leisure vehicles and each vehicle requires a distribution board to provide fuse protection for people using the vehicle. The

“Caravanning model” is a stylish distributor solution option that is also suitable for assembly in visible areas.



Distribution board, “Model Caravanning”

Housing made of flame-resistant plastic. Door available in white or transparent plastic. Flexible connection options with flat plug connection block, screw terminals or Wago quick-connection.

Wiring according to customer request.

Externally accessible mounting points without disruptive retaining brackets, thus the housing can be screwed on in the closed state.

Product features

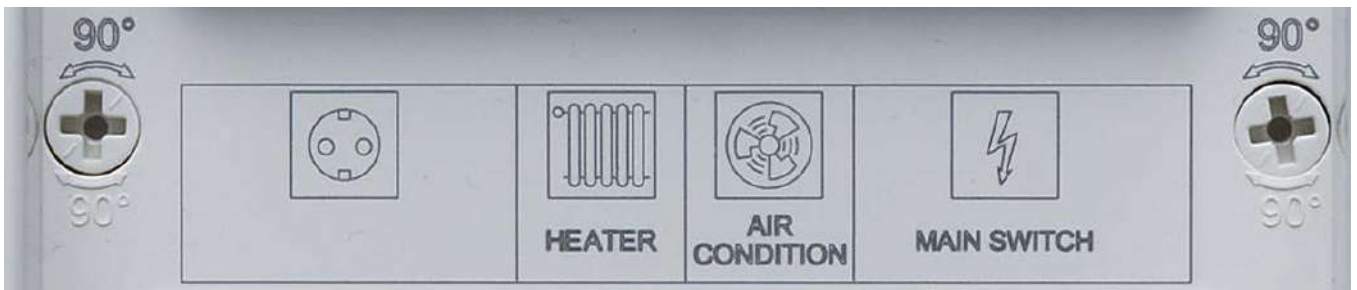
“Model Caravanning”:

- Application range: 230V
- Dimensions:
(W x H x T) 153 x 231 x 94 mm
- Degree of protection: IP 40 only with door
- DIN EN 61439
- Housing colour:
pure white similar to RAL 9010
- Housing made of flame-retardant plastic
- Door available in white or transparent
- Flexible connection options with
Flat connector terminal block, screw terminals or Wago quick connection
- Wiring according to customer requirements
- Fastening points accessible from outside without disruptive clips, it is possible to screw on the housing when it is closed

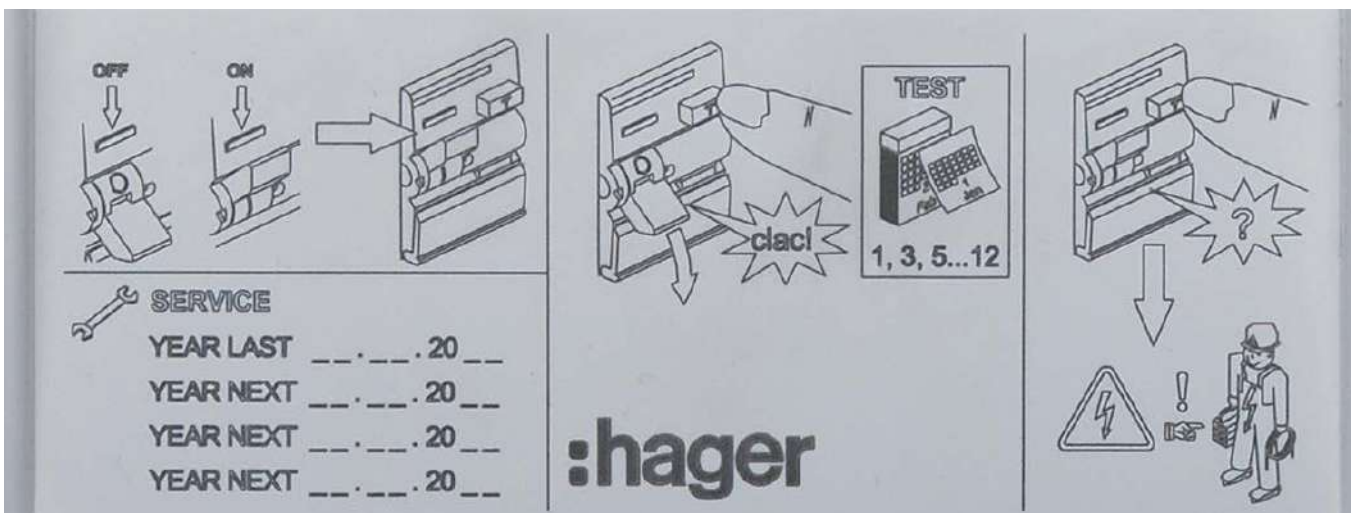




Individual modular device configuration from the Hager product portfolio – residual current circuit-breaker (FI) and wiring protection switch (LS) on 6 units with busbar



Individually configurable laser printing for clear assignment of fitted modular devices.



Use of clear, comprehensible symbols with information on maintenance intervals, functional test and information on what to do in the event of interference.

Instructions for cleaning care



For surfaces made of plastic, metal or glass:

Clean by wiping the surfaces with a moist, soft, lint-free cloth.

Soap-based detergents are suitable for heavier dirt.

Open-pored surfaces made from natural materials are sensitive to grease and dirt. They are to be cleaned with a dry, lint-free cloth only.

For surfaces of stainless steel:

Aggressive external ambient factors or direct treatment can damage the material. This can result in rust or discoloration.

We recommend cleaning and impregnating stainless steel parts several times a year with special cleaning and care products intended for stainless steel products. Please observe the instructions for use of the cleaning material, as it may not be suitable for use with plastics or fine metallic surface finishes.

Applies to all surfaces:

Abrasives and polishes, acid-based (scale removing) detergents and detergents containing chlorine as well as alkaline-based detergents will generally damage all surfaces.

Moreover, painted/lacquered surfaces must not come in contact with detergents that contain alcohol.

All surfaces are resistant to:

- 1% surfactant solution
- Glass cleaner
- Methylated spirits
- Pharmacy quality cleaning solvent

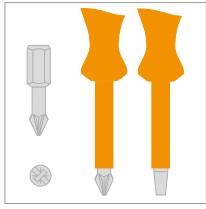
It should be noted that the effect of different cleaning/disinfectant agents on a surface can be significantly influenced by exposure time, mixture ratio and ambient temperature. The above information is based on current knowledge and experience.

Technical information

| | |
|---|-----|
| Installation instructions / Socket outlets | 196 |
| Module inserts / Multimedia modules | 197 |
| Socket outlets with insulation-piercing terminals | 198 |
| integro contact protection boxes | 199 |
| Designs flow / classic / pure | 200 |
| twin-box | 201 |
| integro box | 202 |
| Built-in modules 45 x 45 | 203 |
| Built-in socket outlets Dimensional drawings | 205 |
| Testing, administrative, trademarks, switching symbols and symbols | 209 |
| Conditions of sale, delivery and payment | 209 |
| Product overview | 210 |

Installation instructions

Tool size for processing Berker products



The products have combination screws that can be processed with cross-head as well as flat-blade screwdrivers.

Tool sizes for contact screws:

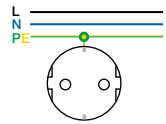
- Cross-head bits: Pozi-Drive, size 2
- Cross-head screwdrivers: Pozi-Drive, size 2
- Slot screwdrivers: blade thickness 1 mm

Tool sizes for fixing screws:

- Cross-head bits: Pozi-Drive, size 1
- Cross-head screwdrivers: Pozi-Drive size 1.
- Slot screwdrivers: Blade thickness 0.8 mm.

i When using cordless screwdrivers a maximum torque of 0.5 Nm should be used.

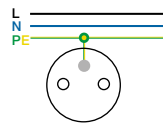
International socket outlets



Use in:

AF/AM/AT/AZ/BA/BE/BF/BG/BI/BJ/BY/CF/CS/DE/EE/EG/ER/ES/FI/GE/GL/GR/HR/HU/ID/IR/IS/IT/KR/KZ/LB/LT/LU/LV/MD/MK/MR/MZ/NL/NO/PE/PT/PY/RO/RU/RW/SA/SE/SI/SM/SO/SR/SY/TJ/TR/UA/UY/UZ

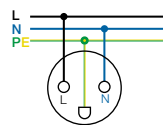
Figure 1: SCHUKO socket outlet* – 2-pin + earth, 250 V~, 16 A



Use in:

AD/BE/CG/CI/CM/CZ/DJ/DZ/FR/GF/GN/GP/KH/KM/MA/MG/ML/PL/SK/SN/SY/TD/TG/TN/VN

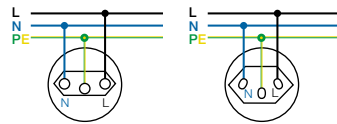
Fig. 2: Socket outlet with earthing pin FRANCE/BELGIUM* – 2-pin + earth, 250 V~, 16 A



Use in:

DK/GL

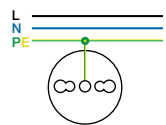
Fig. 3: Socket outlet with earthing contact DENMARK – 2-pin + earth, 250 V~, 13 A



Use in:

CH Type 13 (left Fig.)
CH Type 23 (right Fig.)

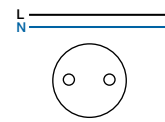
Fig. 4: Socket outlet with earthing contact SWITZERLAND – 2-pin + earth, type 13: 250 V~, 10 A; type 23: 250 V~, 16 A



Use in:

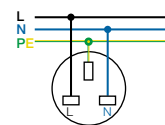
AL/CL/ET/IT/LY/SY

Fig. 5: Socket outlet with earthing contact ITALY* – 2-pin + earth, 250 V~, 16 A



Use in:
AO/NL

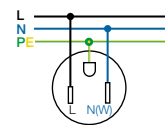
Fig. 6: Socket outlet without earthing contact NETHERLANDS* – 2-pin, 250 V~, 16 A



Use in:

AE/AG/BN/BW/CY/GB/GD/GH/GM/HK/IE/IQ/KE/KW/LR/MT/MW/MY/OM/SL/TZ/YE/ZA/ZW

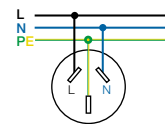
Fig 7: Socket outlet with earthing contact BRITISH STANDARD, standard: BS 1363 Part 2 – 2-pin + earth, 250 V~, 13 A



Use in:

CA/GT/GY/HH/HT/KP/LA/MX/PA/PH/PR/SV/TH/TW/US/VE

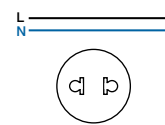
Figure 8: Socket outlet with earthing contact USA/CANADA NEMA 5–15 R – 2-pin + earth, 125 V~, 15 A



Use in:

AR/AU/FJ/NZAR/AU/FJ/NZ

Fig. 9: Socket outlet with earthing contact AUSTRALIA – 2-pin + earth, 250 V~, 10 A (left Fig.); 250 V~, 15 A (right Fig.)



Use in:

CA/GT/GY/HH/HT/KP/LA/MX/PA/PH/PR/SV/TH/TW/US/VE

Figure 10: Socket outlet without earthing contact EURO-AMERICAN STANDARD* – 2-pin, 250 V~, 10 A

* Non-polarised system - without specification for the connection of the external wire and neutral wire

Country abbreviations in accordance with ISO 3166

| | | | | | | | |
|----------------------------------|-----------------------------------|-------------------------|---------------------|-----------------------|-----------------------|------------------------|------------------------|
| AD Andorra | BN Brunei | EE Estonia | GR Greece | KP North Korea | MT Malta | RU Russia | TM Turkmenistan |
| AE United Arab Emirates | BW Botswana | EG Egypt | GT Guatemala | KR South Korea | MW Malawi | RW Ruanda | TN Tunisia |
| AF Afghanistan | BY Belarus | ER Eritrea | GY Guyana | KW Kuwait | MX Mexico | SA Saudi Arabia | TR Turkey |
| AG Antigua | CA Canada | ES Spain | HK Hong Kong | KZ Kazakhstan | MY Malaysia | SE Sweden | TW Taiwan |
| AL Albania | CF Central Africa Republic | ET Ethiopia | HN Honduras | LA Laos | MZ Mozambique | SI Slovenia | TZ Tanzania |
| AM Armenia | CG Congo | FI Finland | HR Croatia | LB Lebanon | NL Netherlands | SK Slovakia | UA Ukraine |
| AO Angola | CH Switzerland | FJ Fiji | HT Haiti | LR Liberia | NO Norway | SL Sierra Leone | US USA |
| AR Argentina | CI Côte d'Ivoire | FR France | HU Hungary | LT Lithuania | NZ New Zealand | SM San Marino | UY Uruguay |
| AT Austria | CL Chile | GB Great Britain | ID Indonesia | LU Luxemburg | OM Oman | SN Senegal | UZ Uzbekistan |
| AU Australia | CM Cameroon | GD Grenada | IE Ireland | LV Latvia | PA Panama | SO Somalia | PU Venezuela |
| AZ Azerbaijan | CS Serbia and Montenegro | GE Georgia | IQ Iraq | LY Libya | PE Peru | SR Surinam | VN Vietnam |
| BA Bosnia and Herzegovina | CY Cypress | GF French Guiana | IR Iran | MA Morocco | PH Philippines | SV El Salvador | YE Yemen |
| BE Belgium | CZ Czech Republic | GH Ghana | IS Iceland | MD Moldavia | PL Poland | SY Syria | ZA Zambia |
| BF Burkina Faso | DE Germany | GL Greenland | IT Italy | MG Madagascar | PR Puerto Rico | TD Chad | ZW Zimbabwe |
| BG Bulgaria | DJ Djibouti | GM Gambia | KE Kenya | MK Macedonia | PT Portugal | TG Togo | |
| BI Burundi | DK Denmark | GN Guinea | KH Cambodia | ML Mali | PY Paraguay | TH Thailand | |
| BJ Benin | DZ Algeria | GP Guadeloupe | KM Comoros | MR Mauritania | RO Rumania | TJ Tajikistan | |

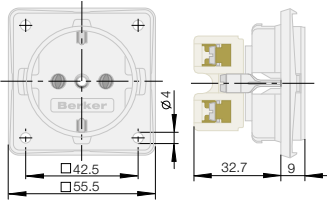
Berker integro Module inserts

i Flat-head screws, size M3 or M3.5 must be used to fasten the inserts.

Socket outlets

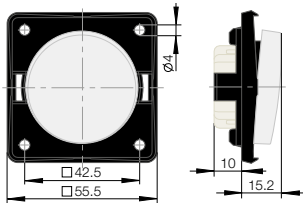
Dimensional drawing

Socket outlets of international plug-and-socket systems have insertion depths that are different from those of SCHUKO socket outlets (Table 1).



Rocker switch/rocker push-button

Dimensional drawing



| Socket outlet system | Installation depth |
|---|--------------------|
| SCHUKO socket outlet with plug-in terminals | 32.7 mm |
| SCHUKO socket outlet with screw terminals | 32.5 mm |
| SCHUKO socket outlet with installation-piercing terminals | 46.5 mm |
| Socket outlet with earthing contact, USA/CANADA, NEMA 5-15 R | 19.5 mm |
| Socket outlet with earthing contact, USA/CANADA, NEMA 6-20 R | 19.5 mm |
| Socket outlet with earth contact AUSTRALIA | 16.5 mm |
| Socket outlet with earthing contact DENMARK | 27.5 mm |
| Socket outlet with earthing contact ITALY | 34.0 mm |
| Socket outlet with earthing contact, SWITZERLAND, type 13 | 28.0 mm |
| Einbauöffnung Socket outlet with earthing contact, SWITZERLAND, type 23 | 28.0 mm |
| Socket outlet with earth contact BRITISH STANDARD | 20.5 mm |
| Socket outlet with earthing pin FRANCE/BELGIUM with screw terminals | 29.5 mm |
| Socket outlet with earthing pin FRANCE/BELGIUM with installation-piercing terminals | 43.5 mm |
| Socket outlet without earth contact NETHERLANDS | 29.6 mm |
| Socket outlet without earthing contact EURO-AMERICAN STANDARD | 21.3 mm |

Table 1: Installation depth of different plug and socket systems

Multimedia modules

Cinch modules

Cinch (RCA) is the designation of standardised connectors for transmitting electrical signals, primarily via coaxial cables. Use of other cable types is not widespread, however it is possible.

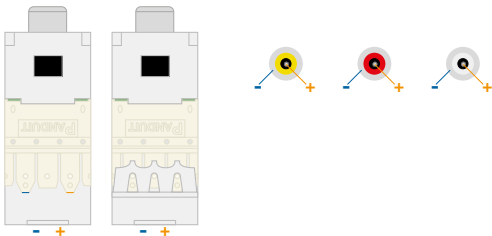


Figure 1: Polarity for cinch modules

S-Video module

The S-Video (also known as Separate Video, Y/C) module is used for separate transmission of brightness (luminance) and colour (chrominance or chroma) information.

i Cable length should not exceed 10 m.

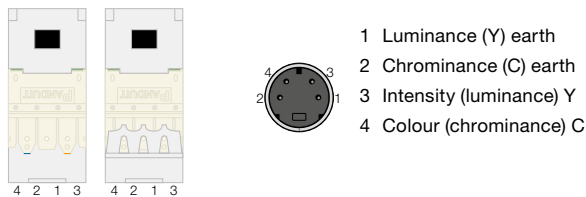


Figure 2: Contact assignment of the S-Video module

VGA module

The VGA module is used to connect display devices on a graphic card. Depending on the quality, VGA cables can be susceptible to interference at lengths of under 5m, or they can still transmit a good signal at lengths in excess of 30 m. Cables suited for high frequency with a coaxial structure for the colour channels are advantageous.

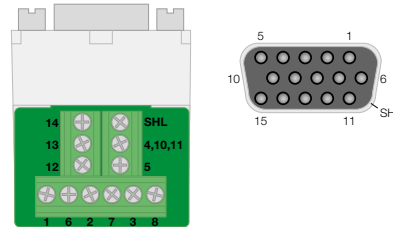


Fig. 3: Pinout of the VGA modules

| PIN | Transmission signal | wire |
|-----|------------------------------------|---|
| 1 | red | Coaxial wire |
| 2 | green | Coaxial wire |
| 3 | blue | Coaxial wire |
| 4* | Monitor ID Bit 2 | Twisted pair wire (optional connection) |
| 5 | Ground | Twisted pair wire |
| 6 | Red ground | Coaxial shielding |
| 7 | Green ground | Coaxial shielding |
| 8 | Blue ground | Coaxial shielding |
| 9 | - | - |
| 10* | Synchronous ground | Twisted pair wire |
| 11* | Monitor ID bit 0 or digital ground | Twisted pair wire (optional connection) |
| 12 | Monitor ID bit 1 | Twisted pair wire (optional connection) |
| 13 | Horizontal synchronisation | Wire 1 |
| 14 | Vertical synchronisation | wire 2 |
| 15 | Monitor ID bit 3 | - |
| SHL | Housing shielding | External shielding |

*are connected together on one terminal

Table 2: Contact pinouts of the VGA modules

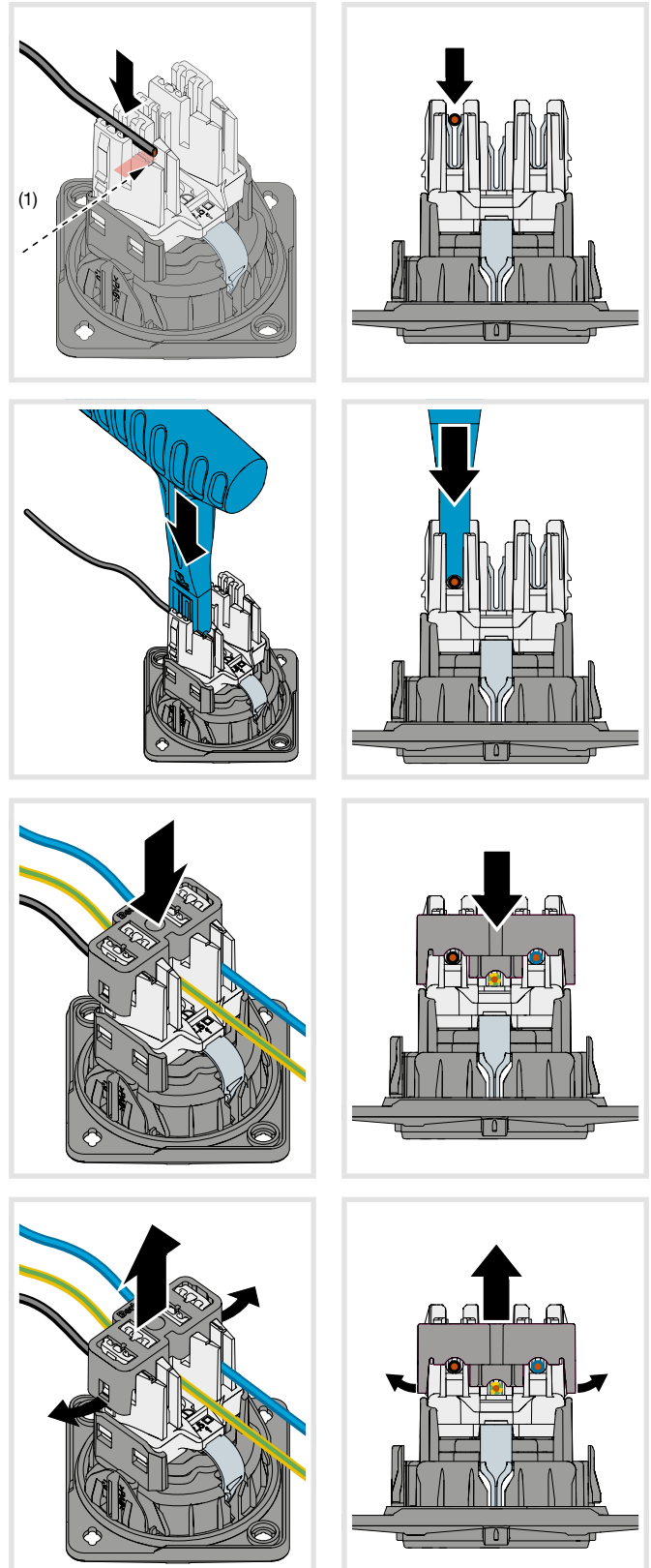
Connection of insulation-piercing terminals

Correct use

- Only suitable for connection with finely stranded (flexible) cables (2.5 mm²).
- Connection of a maximum of 2 cables per terminal connection.
- Connection of continuous cables.
- Connection of end of cables
- Only for use in self-contained systems (e.g. trunkings)

Connect insulation-piercing terminals

- Insert cable form above in the insulation-piercing terminal until resistance is felt.
- i** Insert the cable ends in such way that they lie in the red marked area, but extend at most to the marking notch (1).
- Position the joining tool and push the cable firmly into the terminal as far as it will go.
- After connecting all cables, attach the safety cap. Depending on the assignment of 1 or 2 cables per terminal connection, use the first or second notch.
- i** In addition to the connection of cable ends (sw), the diagram shows the principle of looping through of wires (gnge, bl) as an example.



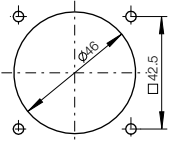
Remove the safety cap with a tool

- Slightly lift the notching tongues and remove the safety cap.
- i** The safety cap provides contact protection at the contact.

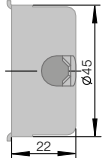
Contact protection boxes (cavity walls)

Dimensional drawings

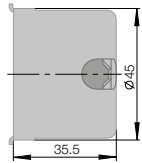
Installation cutout
Ø 46 mm



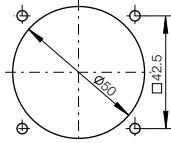
9 1820 01
9 1820 03



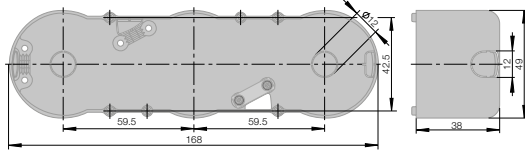
9 1820
9 1820 02



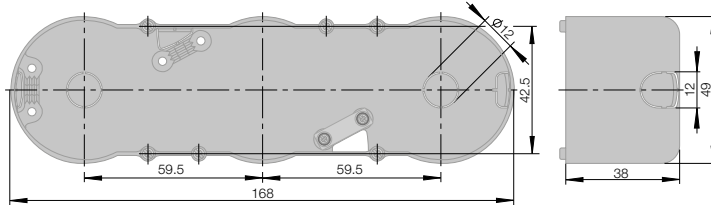
Installation cutout
Ø 50 mm



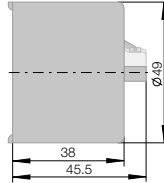
9 1915 01
9 1915 02



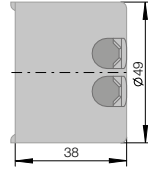
9 1933



9 1883

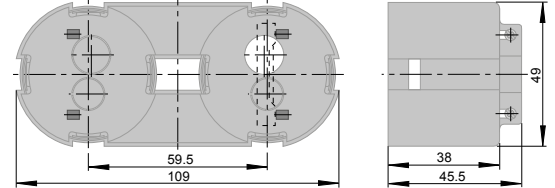


9 1887 01



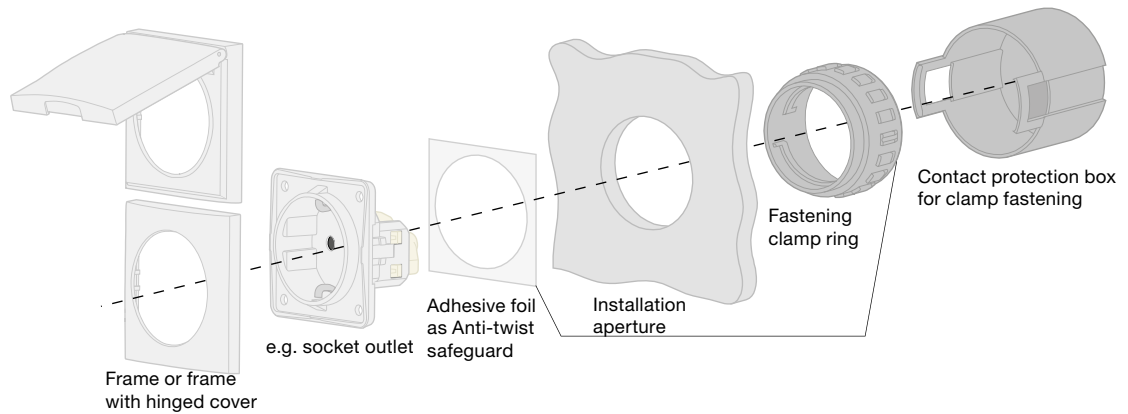
i The strain reliefs are not suitable for flat hose lines of 0.75 mm².

9 1911 ..
9 1912 ..



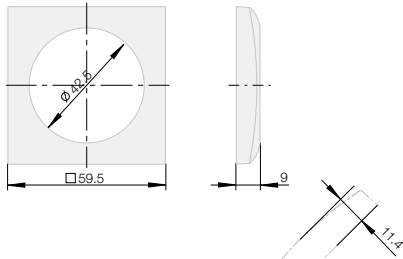
Mounting with clamp fastening

e.g. in a mirror

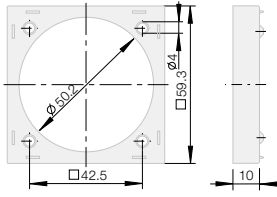


Berker integro - design flow
Dimensional drawings

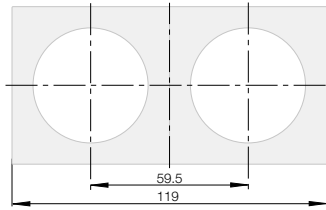
Frame 1gang



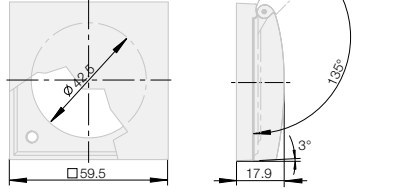
Surface-mounted spacer ring



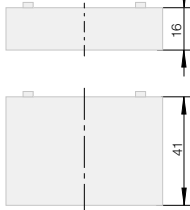
Frame 2gang



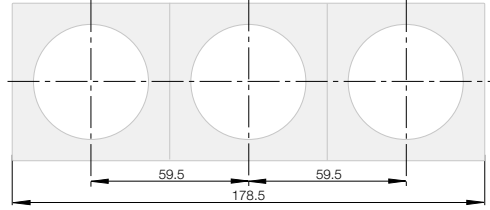
Frame with hinged cover



Surface-mounted housing

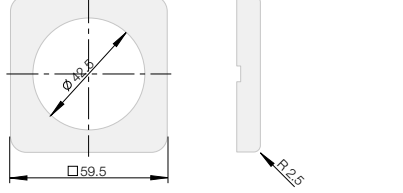


Frame 3gang

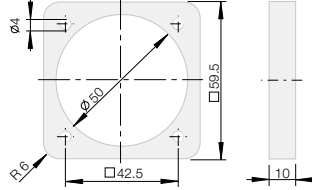


Berker integro - design classic
Dimensional drawings

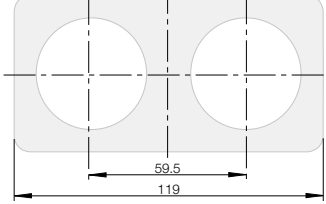
Frame 1gang



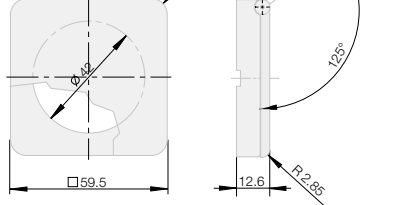
Surface-mounted spacer ring



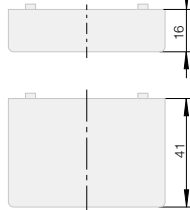
Frame 2gang



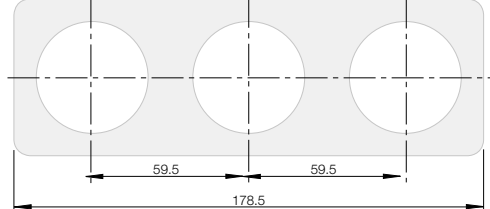
Frame with hinged cover



Surface-mounted housing

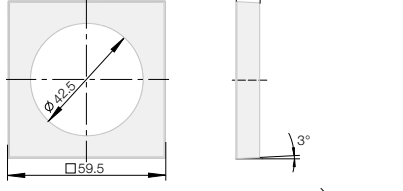


Frame 3gang

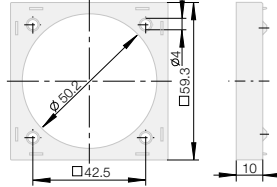


Berker integro - design pure
Dimensional drawings

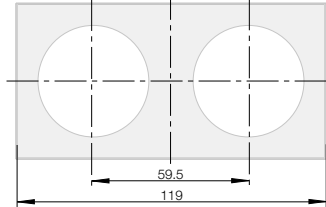
Frame 1gang



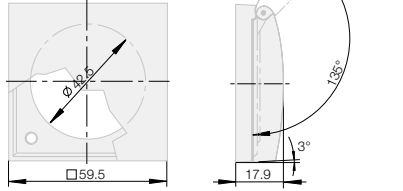
Surface-mounted spacer ring



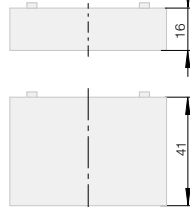
Frame 2gang



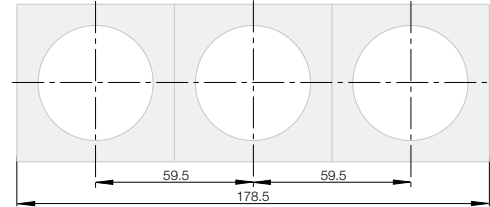
Frame with hinged cover



Surface-mounted housing

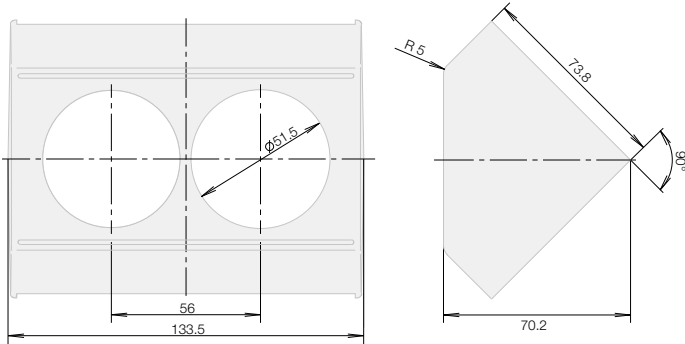


Frame 3gang



Berker twin-box

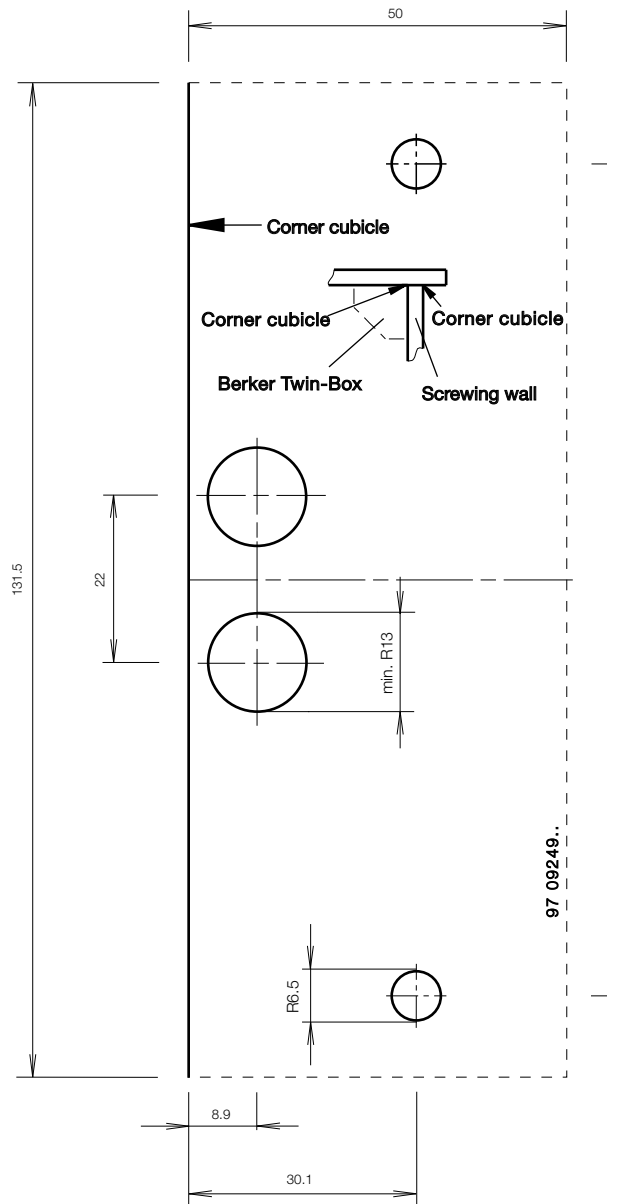
Dimensional drawing



| twin-box combination | Lead (Type H05VV-F) | | | Light fitting cable (Type H05VV-F) | | |
|----------------------|---------------------|---------------------|--------|------------------------------------|----------------------|--------|
| | Number of wires | Cross section | Length | Number of wires | Cross section | Length |
| 1948 02 | 3 | 1.5 mm ² | 1.5 m | - | - | - |
| 1948 08 | 3 | 1.5 mm ² | 1.5 m | 2 | 0.75 mm ² | 1.5 m |
| 1948 13 | 3 | 1.5 mm ² | 1.5 m | 2 | 0.75 mm ² | 1.5 m |
| 1948 16 | 3 | 2.5 mm ² | 1.5 m | 3 | 2.5 mm ² | 1.5 m |
| 1948 17 | 3 | 1.5 mm ² | 1.5 m | 3 | 0.75 mm ² | 1.5 m |
| 1948 18 | 3 | 1.5 mm ² | 1.5 m | - | - | - |
| 1948 19 | 3 | 2.5 mm ² | 1.5 m | - | - | - |
| 1948 20 | 3 | 1.5 mm ² | 1.5 m | 2 | 0.75 mm ² | 1.5 m |
| 1948 25 | 3 | 2.5 mm ² | 1.5 m | - | - | - |
| 1948 26 | 3 | 2.5 mm ² | 1.5 m | 3 | 1.5 mm ² | 1.5 m |
| 1948 27 | 3 | 1.5 mm ² | 1.5 m | 3 | 1.5 mm ² | 1.5 m |
| 1948 29 | 3 | 1.5 mm ² | 1.5 m | - | - | - |
| 1948 30 | 3 | 1.5 mm ² | 1.5 m | - | - | - |

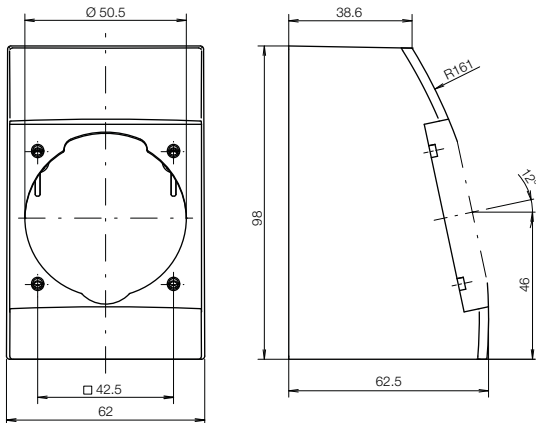
Table 3: twin-box pre-assemblies

Berker twin-box assembly aid

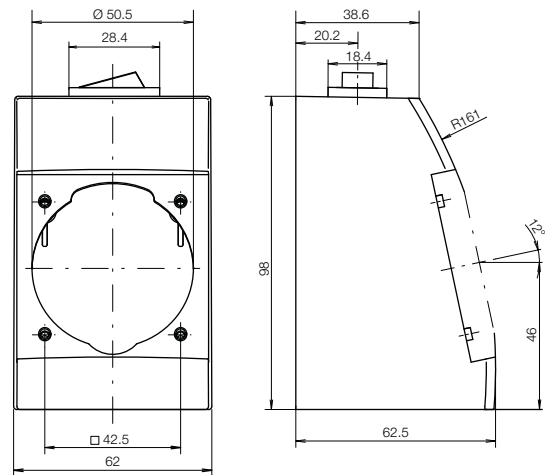


Berker integro box

Assembly set



Assembly set with on/off switch



Installation instructions

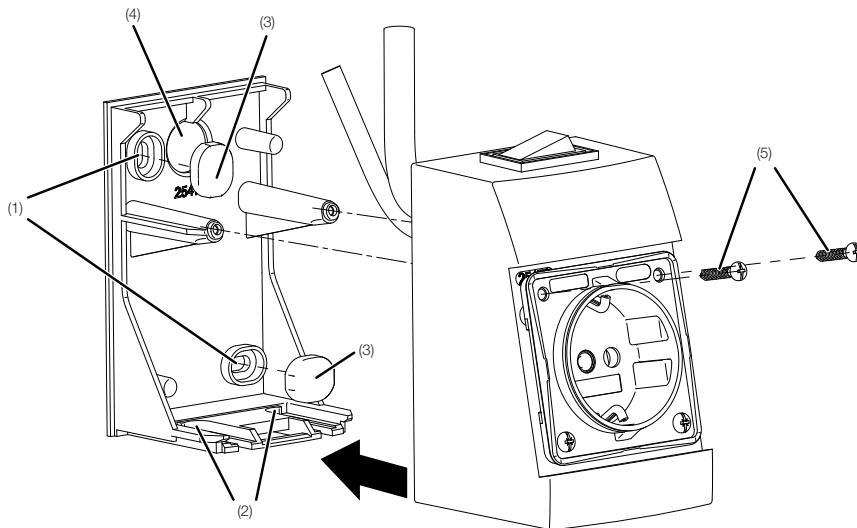


Figure 1: Lower part and cover

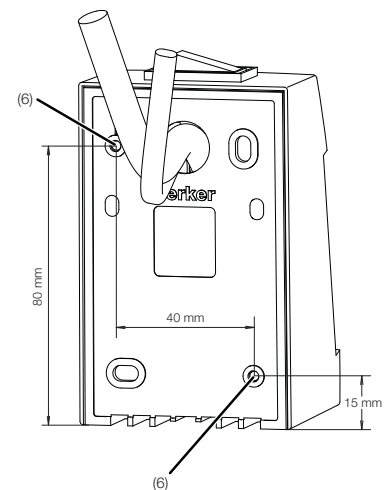


Figure 2: Dimensions for rear mounting of the complete device

- (1) Screw holes for mounting on mirror cabinet rear panel (front view)
- (2) Screw holes for mounting on mirror cabinet floor
- (3) Protection covers
- (4) Cable entry
- (5) Screws (supplied)

- (6) Fastening points for mounting the complete device (rear view)

Mounting the integro Box

- Fasten lower part of the integro Box to the mirror cabinet rear panel using suitable screws (1).
- Cover screw holes using the protective covers supplied (3).
- or
- Fasten lower part of the integro Box to the mirror cabinet floor using suitable screws (2).
- Insert cables through the opening provided (4).
- Push cover onto the lower part until it engages.
- Fasten cover to the lower part using the screws supplied (5).

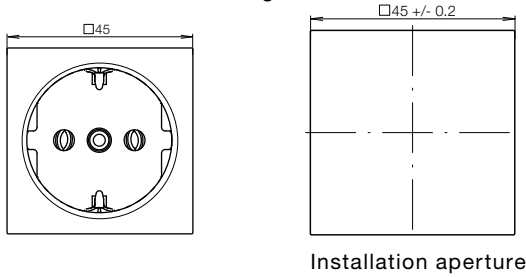
The integro Box can also be screwed to the rear panel of the mirror cabinet in assembled state using the fastening points (6) provided (Figure 2). Suitable screws are available upon request.

Built-in modules 45 x 45

i The built-in modules 45 x 45 are snapped into place in the installation opening using the "SNAP-IN method" and can thus be installed without the need for tools.
Width 1 module unit = 22.5 mm.

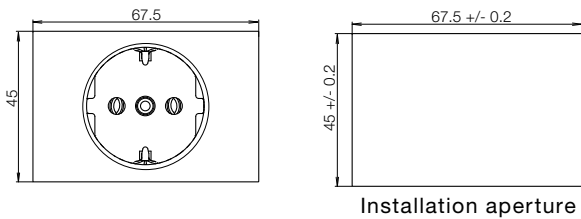
Built-in SCHUKO socket-outlet SNAP IN 4.6 mm, 2 module units

- for installation in cable trunkings



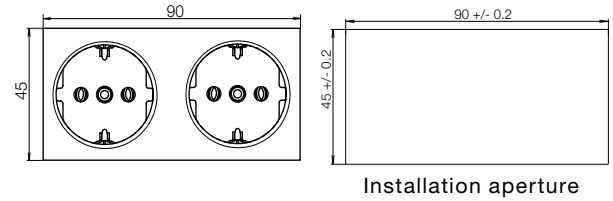
Built-in SCHUKO socket outlet SNAP IN 4.6 mm, 3 module units

- for installation in cable trunkings



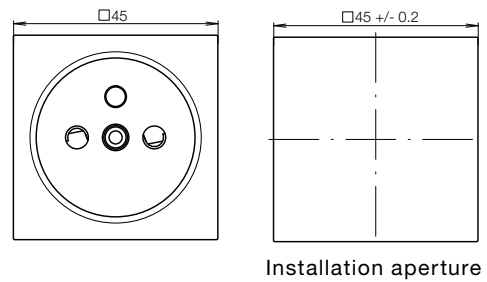
Built-in SCHUKO double socket outlet SNAP IN 4.6 mm, 4 module units

- for installation in cable trunkings



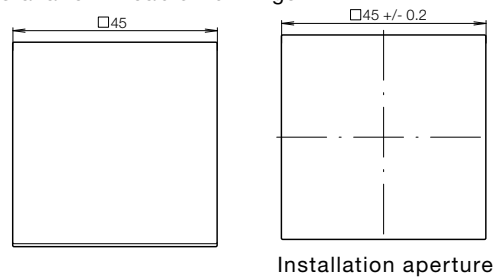
Built-in socket outlet with earthing contact SNAP IN 4.6 mm, 2 module units

- for installation in cable trunkings



Built-in change-over switch SNAP IN 4.6 mm

- for installation in cable trunkings

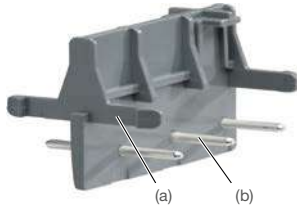


Installation of several socket outlets via connection adapter

Several socket outlets have to be connected via a connection adapter (order no. WS120).

The connection adapter is used for quick installation for the following types:

- WS172, WS172E, WS172N, WS172V, WS185
- WS173, WS173E, WS173N, WS173V, WS186
- WS121, WS121E, WS121N, WS121V
- WS122, WS122E, WS122N, WS122V
- WS123, WS123E, WS123N, WS123R, WS123V



The connection adapter is inserted into the plug-in terminals of the socket outlet with its contact pins.

The connection bridges must snap into place.

- (a) Connection bridge
- (b) Contact pin

Installation

Only in the first socket outlet module is the connection cable inserted into the plug-in terminals.



- Insert the connection adapter into the plug-in terminals of the socket outlet module in the correct position.
- i** Pay attention to correct polarity (labelling of the terminals).
- Insert connection adapter with socket outlet module into the plug-in terminals of the next socket outlet module in the correct position.



Dismantling

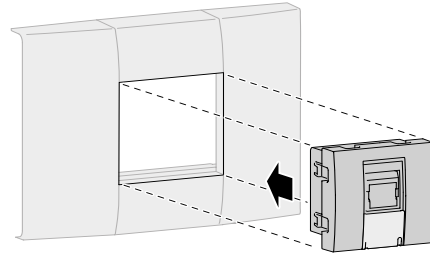
! Before dismantling, make sure that no voltage is present. Cover all live parts.

- To dismantle or separate the socket outlet modules, push in the connection bridges on both sides using a slot screwdriver.
- Pull socket outlet modules apart.



Installation in installation aperture

- Prepare the installation opening for the corresponding module.
- Connect module.
- Snap module into place in the installation opening (Example: FCC socket outlet).



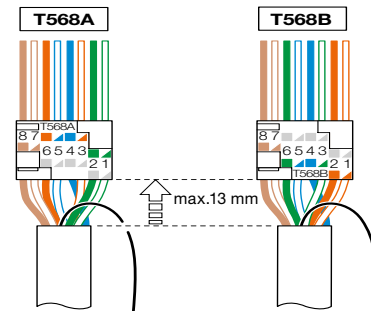
Data communication

Connection technology

There are two types of connection variants in the data communication:

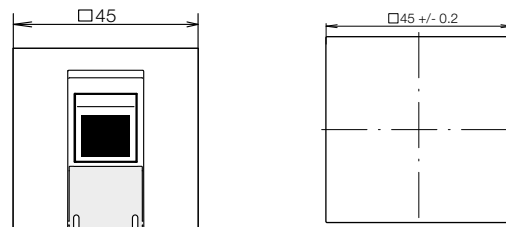
- T568 A
- T568 B

The difference between both variants lies in the assignment of the green/green-white and orange/orange white wire pair.



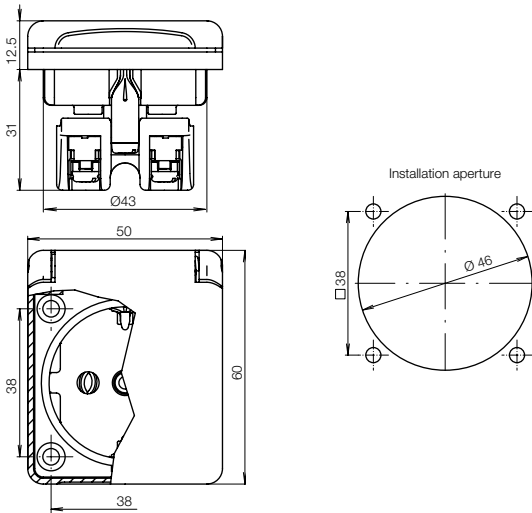
- i** The twisted pair wires (twisted pair) must not be drilled more than 13 mm, as otherwise the transmission properties will change.
- i** In the case of shielded cables, apply the shield.

FCC socket outlet 8pole shielded, Cat.6 SNAP IN 4.6 mm



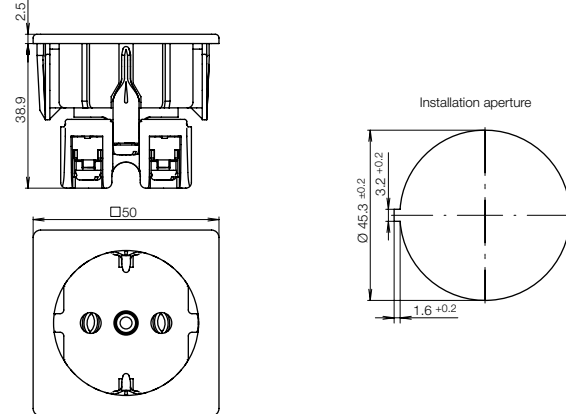
Built-in SCHUKO socket outlets

Built-in SCHUKO socket outlet with hinged cover 50 x 60 mm

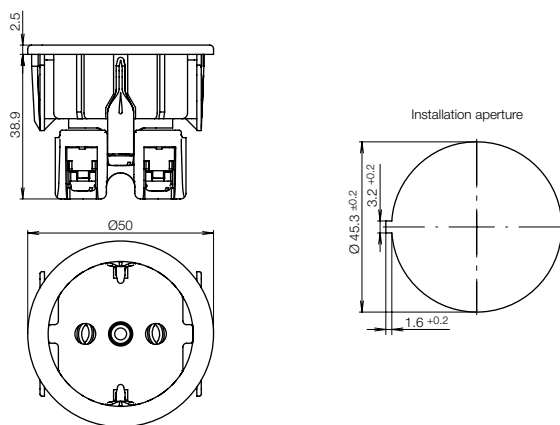


Built-in SCHUKO socket outlet with centre plate 50 x 50 mm, SNAP IN

- for different installation wall thicknesses

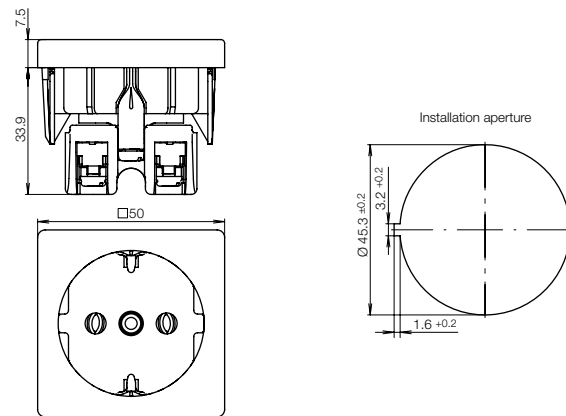


Built-in SCHUKO socket outlet with centre plate Ø 50 mm, SNAP IN - for different installation wall thicknesses

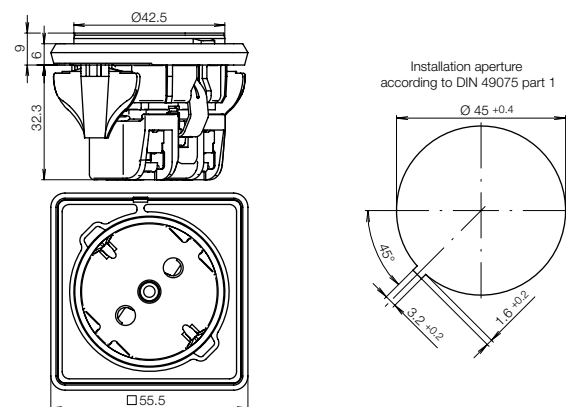


Built-in SCHUKO socket outlet with centre plate 50 x 50 mm, SNAP IN 0.6 - 1.5 mm

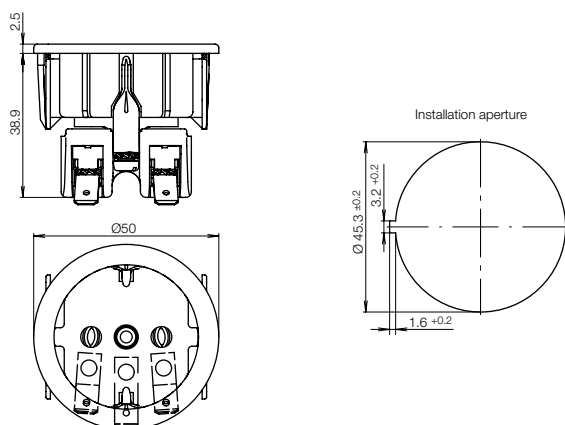
- installation depth 33.9 mm



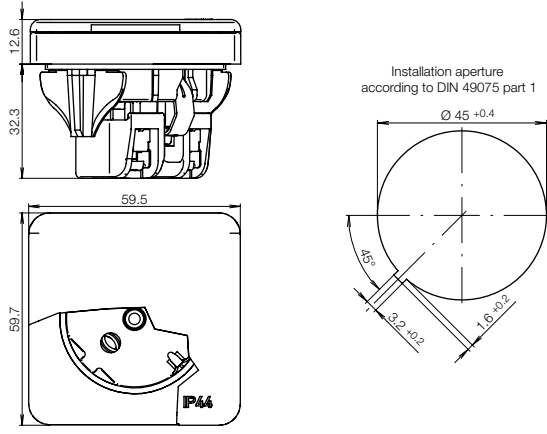
Built-in 45° SCHUKO socket outlet SNAP IN 1.3 - 2.2 mm



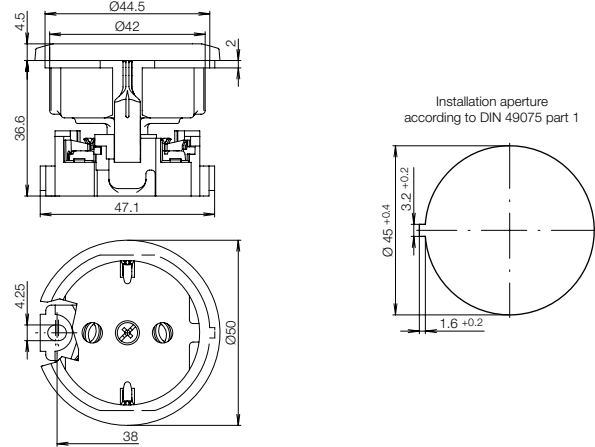
Built-in SCHUKO socket outlet with centre plate Ø 50 mm, SNAP IN 0.6 - 1.5 mm - with flat connection



**Built-in SCHUKO socket outlet 45°
with hinged cover, SNAP IN 1.3 - 2.2 mm**

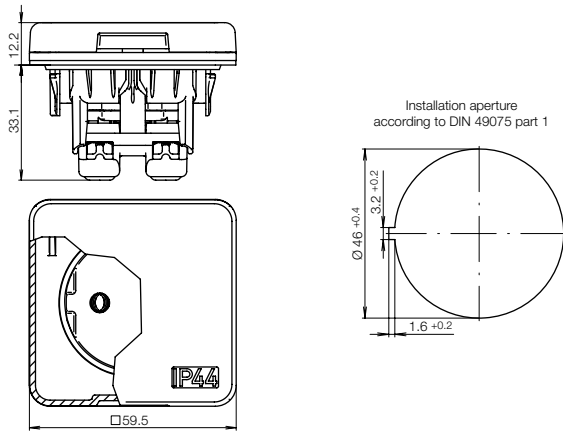


**Built-in SCHUKO socket outlet
with centre plate Ø 50 mm**

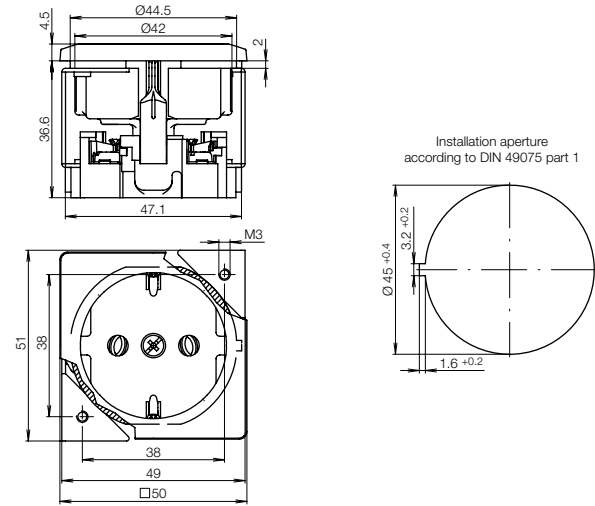


**Built-in SCHUKO socket outlet
with hinged cover 59.5 x 59.5 mm, SNAP IN, IP44**

- for different built-in wall thicknesses

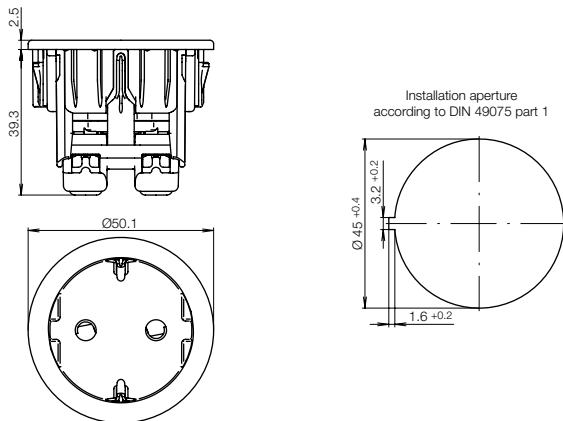


**Built-in SCHUKO socket outlet
with centre plate 50 x 50 mm and supporting angle**



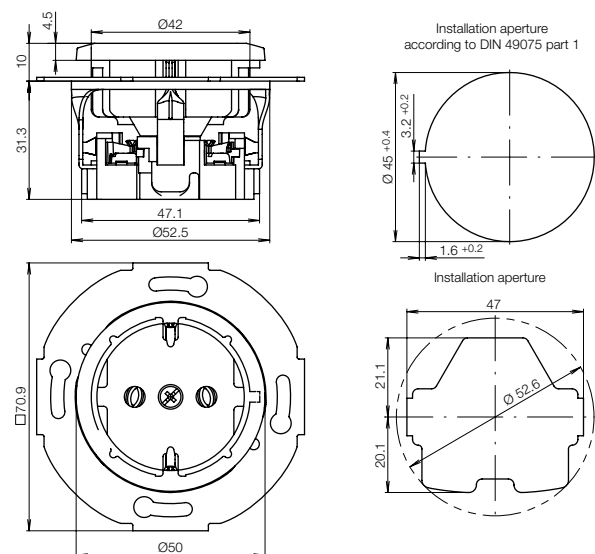
**Built-in SCHUKO socket outlet
with centre plate Ø 50 mm, SNAP IN**

- for different built-in wall thicknesses



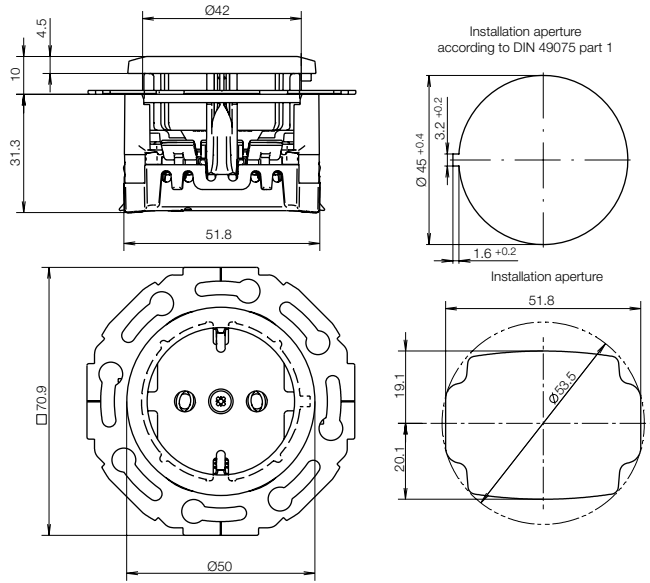
**Built-in SCHUKO socket outlet
with supporting ring, centre plate Ø 50 mm**

- with screw terminals

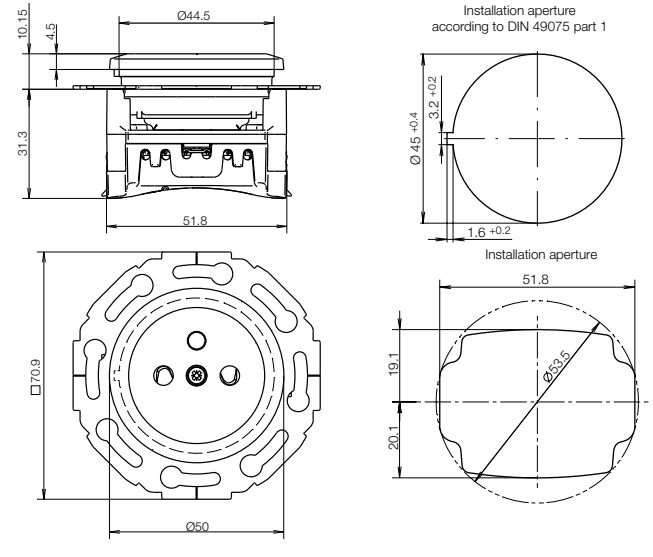


Built-in SCHUKO socket outlet with supporting ring, centre plate Ø 50 mm

- with plug-on terminals



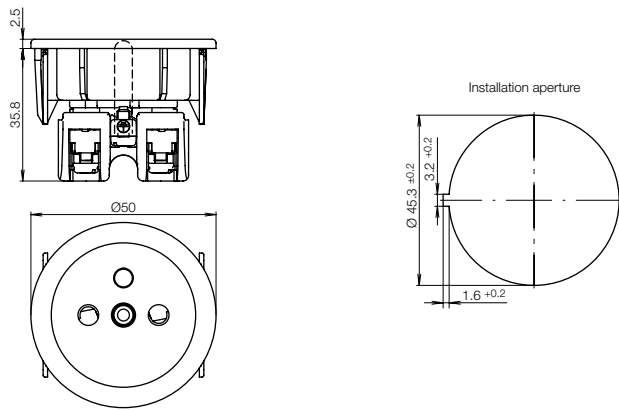
Built-in socket outlet with earthing pint and supporting ring, centre plate Ø 50 mm



Built-in socket outlets with earthing pin

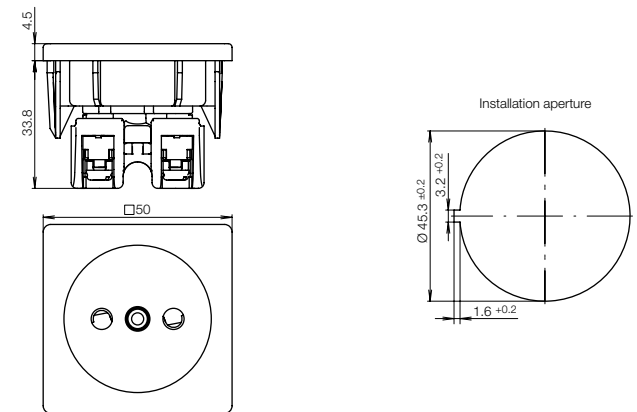
Built-in socket outlet with earthing pin and centre plate Ø 50 mm, SNAP IN

- for different built-in wall thicknesses



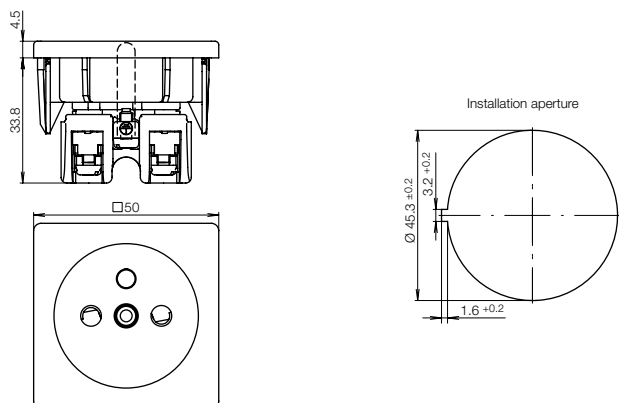
Built-in socket outlet without earthing contact

Built-in socket outlet without earthing contact, with centre plate 50 x 50 mm, SNAP IN 3 mm



Built-in socket outlet with earthing pin and centre plate 50 x 50 mm, SNAP IN

- for different built-in wall thicknesses



Test marks and administrative marks

- VDE test mark, all articles of the Berker range for which it is possible to issue the test mark, bear this mark.
- Netherlands
- Austria
- Norway
- France
- Denmark
- Italy
- Sweden
- Canada
- Belgium
- USA
- Poland
- Finland
- Switzerland
- ENEC stands for European Norms Electrical Certification. The number following the mark indicates the certifying body. Example: 10 stands for VDE
- Flame retardant according to VDE 0606 T1:1984-11, meets the requirements of the Association of Property Insurers for mounting on wood.
- All items in this catalogue which are subject to CE regulations bear the CE mark on their packaging.
- Determination of colour gradations of Deutsches Institut für Gütesicherung und Kennzeichnung e.V.

Trademark

Registered trademark of the SCHUKO-Warenzeichenverband e.V. (SCHUKO trademark association e. V.); identifies socket outlets according to DIN VDE 0620-1 and DIN 49440. The terminals are also suitable as connection terminals.

Degree of protection

- IP** (international protection) According to DIN 40050, IEC 60529, designates the degree of protection of a device against ingress of foreign bodies and moisture.
- IP44** Protection against contact of live parts with wires or similar, larger than 1 mm diameter and splash water from all directions. (contact-protected from 1 mm, splash-protected)
- Suitable for IP44, degree of protection IP44 is only available with the appropriate sealing accessories.

Application symbols

- Hollow-wall box
- AX** X = Fluorescent lamp rated current

Switching symbols

To simplify the planning by means of circuit symbols, we have additionally developed our own circuit symbols based on the standard or we have used symbols already existing on the market.

Some of the new underlying details:

- Scanning arm NO contact
- Scanning arm NC contact
- Scanning arms directed to each other corresponds to common input terminal
- Scanning arms directed away from each other corresponds to isolated input terminal
- Hinged covers

Socket outlets

- Socket outlet with earthing contact
- 2gang socket outlet with earthing contact
- Socket outlet with earthing contact and enhanced contact protection
- 2gang socket outlet with earthing contact and enhanced contact protection
- 3gang socket outlet with earthing contact and enhanced contact protection
- Socket outlet with earthing contact with hinged cover
- Socket outlet with earthing contact and hinged cover and enhanced contact protection
- Socket outlet without earthing contact
- Socket outlet without earthing contact with enhanced contact protection
- USB charging socket

Switches / Push-buttons / Dimmers

- On/off switch
- On/off switch, 2pole
- On/off switch 2pole illuminated/control switching
- Double on/off switch
- Series switch
- Change-over switch

- Change-over switch illuminated/control switching
- Intermediate switch
- Push-button, NO contact
- Push-button, NO contact illuminated/control switching
- Push-button 2 NO contacts with 1 input and 2 rockers
- Push-button 2 NO contacts with 2 separate inputs and 2 rockers
- Blind push-button
- 1 - 10 V rotary potentiometer with on/off switch

Data communications/telecommunications

- TV aerial socket
- FCC socket outlet
- HDMI socket outlet
- VGA socket outlet
- DVI socket outlet
- S-Video socket outlet
- Cinch socket outlet
- XLR socket outlet
- Jack socket
- USB and jack socket outlet
- USB socket outlet

Material characteristics

The majority of the products we supply comply with the REACH and RoHS requirements.

General notes

The technical specifications given here are not binding. The operating manual supplied with the products must be observed in all cases.

Illustrations are not binding, especially with regard to colour, size, equipment, performance of products and switch and connection diagrams.

We reserve the right to make technical and formal changes to our products in the interest of technical progress.

General terms and conditions

(similar to the condition recommendation of ZVEI e.V.)

1. General conditions The written declarations made by both parties are the basis for the scope of the deliveries or solutions (hereinafter referred to as deliveries). In addition, these general terms and conditions (hereinafter referred to as T&C) shall apply. The general terms and conditions of the Buyer shall only apply if the supplier or service provider (hereinafter referred to as the Supplier) has agreed to them in writing. In addition, the specifications of the Association for Electrical, Electronic and Information Technologies (VDE), shall apply, if they apply to the safety of the deliveries or services. The T&C below shall also apply to all future business with the ordering party. The Supplier shall retain the right of retention and copyright to all cost estimates, drawing and other offer-related documents (hereinafter referred to as documents) without limitation. They may not be made available to third parties without the written approval of the supplier and shall be returned immediately and on demand, if the order is not placed. This shall apply in equal measure to documents of the Buyer. However, these may be made available to third parties, to whom the Supplier wishes to transfer deliveries in the normal manner. For standard and custom software, the Buyer has the non-exclusive right to use with the agreed performance features in an unmodified form on the agreed devices. The Buyer may not permit third parties to use or access this software. Partial deliveries shall be permitted. In the case of order-dependent production, an over or underdelivery of 10% shall be permitted.

2. Securities The precondition for the obligation to deliver is the creditworthiness of the Buyer. The Supplier shall always be authorised, should they consider it necessary, to demand advance payment or security or cash payments. If the Buyer remains in arrears in respect of fulfilling their payment obligations, or if they do not answer questions regarding their credit-worthiness, the Supplier reserves the right to withdraw from the order and, if applicable, demand compensation for damages as a result of non-performance. Previously delivered goods shall then be returned to the Supplier in the original state. Furthermore, all of the Supplier's accounts receivable shall fall due immediately in the event of enforcement by writ in respect of the Buyer's assets, bankruptcy proceedings, discontinuation of business operations or transfer of a business, as well as seizure or pledging as collateral. Any considerable deterioration in financial status (e.g. enforcement by writ, discontinuation of payment, bankruptcy, discontinuation of business operations, transfer of a business, seizure or pledging as collateral or transfer of goods, inventories or outstanding accounts items as a guarantee, etc.) must be reported to the Supplier immediately.

3. Delivery periods The details in the order confirmation shall form the basis for the delivery period. Compliance with this period shall require: timely arrival of all documents, approvals, releases, self-deliveries, compliance with the Suppliers payment conditions and other obligations on the part of the Buyer. Should these preconditions not be fulfilled in time then the time shall be extended accordingly. The period shall be considered as having been met when the good has been sent for shipping or has been collected within the agreed delivery time. Should shipment be delayed for reasons which are the responsibility of the Buyer, then the period shall be considered as having been met when the readiness for shipment is signalled. Should non-compliance with the delivery period be clearly traceable back to acts of good, workplace disputes or other unforeseen obstacles, then the period shall be extended accordingly. In the event of non-compliance with the agreed or extended delivery period, the Buyer may, insofar that they provide proof that they have suffered damage as a result of the delay, demand compensation for damages resulting from the delay amounting to 1/2% for each full week of delay of the value of that part of the delivery that is delivered late, up to a total of 5%. Further claims for damages on

the part of the Buyer are excluded. This shall not apply in cases of intent or cases of gross negligence. The right of the Buyer to termination after a failed extension set by the Supplier shall be unaffected.

4. Passing of risk Even in the case of carriage paid deliveries, risk shall pass to the Buyer when the good is passed for shipment or is collected. Shipment shall take place on instruction of the Buyer or according to the reasonable discretion of the Supplier, without any responsibility for the cheapest means of shipment. The Supplier shall insure the shipment against normal transport risks, should the Buyer desire it and be willing to pay. If shipment is delayed at the desire of the Buyer or on account of reasons for which they are responsible, then risk shall be passed to the Buyer from the day of shipment readiness. In this case, the Supplier shall be obliged to obtain the insurances demanded by the Buyer at the Buyer's request and expense. If goods are returned, then the Buyer shall carry the risk until the good arrives at the Supplier's premises.

5. Right of retention The components of the delivery (reserved goods) shall remain the property of the Supplier until the fulfilment of all claims against the Buyer made during the course of the business transaction. Pledging or transfer of security prior to this is forbidden. The Buyer may only sell the reserved goods, in whatever state they may be in, to resellers as part of normal business, subject to the condition that they have not defaulted on payments to the Supplier and already transferred claims with all supplementary rights resulting from this sale to the Supplier. The assignment of these claims shall be limited to the level of all the claims available to the Supplier as a result of the business transaction. The Buyer shall also be authorised to collect these debts, even after this transfer. The ability of the Supplier to collect debts themselves shall remain unaffected. The Buyer shall inform the Supplier on request of the level and debtor of these transferred claims, provide the Supplier immediately with all the documents required for collection and to inform the debtor of the transfer in writing.

The Supplier shall process the reserved goods without obligation. If the goods are mixed or connected with other objects, then the Buyer shall immediately transfer their property rights to the new objects to the Supplier. They shall store these for the Supplier with professional diligence. Should the new objects be sold, then the Buyer shall transfer their claims and all supplementary rights from this onward sale to the Supplier. Should the Buyer process the good with other goods, which do not belong to the Supplier, then the Supplier shall be assigned co-property rights to the new object to the level of the reserved goods. Should the Buyer behave in a way which infringes the contract, particularly in the case of late payment, then the Supplier shall be authorised to retract the reserved goods. The Buyer shall be obliged to provide such goods immediately on demand by the Supplier. Retraction as well as pledging of the reserved goods by the Supplier shall not be considered as a declaration of revocation.

The Buyer shall, at their own expense, carry out all the necessary measures to prevent any limitation or loss of the rights available to the Supplier for the delivered goods. The Buyer shall prevent pledges or other interventions by third parties or shall inform the Supplier of the same immediately. Any disadvantages caused to the Buyer as a result of non-observance this obligation, shall be to their own cost.

6. Prices All prices shall be in Euros. They shall apply ex works excluding packaging plus the appropriate applicable level of statutory VAT. In the case of the completed acceptance of goods worth more than €1000, we deliver free to the goods' reception point, minus packaging, or, for a value of more than €2500, free to the goods' reception point, including packaging. Orders below €100 will incur a handling charge of €25.

7. Conditions of payment Payments shall be made within 30 days of the invoice date without any discount to the Supplier account stated. Payments within 10 days of the invoice date will be granted a discount of

2%. Payment defaults or foreign currency payments shall prevent any discounts. Cheques shall only be accepted subject to normal provisions, foreign currencies only after special agreement and when they correspond to the purchase conditions of the German Central Bank. Discount fees, fees and note taxes shall be paid by the Buyer. They shall be paid to the Supplier at negotiation of the draft. With all payments, the date of fulfillment shall be considered as the day that the Supplier possesses the full amount.

If the payment deadline is exceeded or if there is a delay in delivery at the Buyer's request by more than 30 days after the order is ready for dispatch, the Supplier shall have the right, without the need for any separate reminder, to charge interest at an annual rate of 3% over the relevant Lombard rate of the German Central Bank, starting from the due date, but at least at the relevant interest rates charged by large banks in North Rhine-Westphalia for unsecured loans. The assertion of further damages shall remain unimpaired. In addition, in the case of late payment, the Supplier shall be authorised to demand the return of the good and damages for non-fulfilment. The Buyer may only set-off claims against the Suppliers claims if their claims are self-evident and legally viable.

8. Liability for faults The Supplier guarantees that the sold goods are free of defects at the time of the passing of risk. However, should there have been faults in parts clearly obtained from the Supplier before the risk transfer, then the Supplier shall be liable to the Buyer as follows:

1. The guarantee rights below are only available to the Buyer, if they have pursued the obligation to investigate and make complaints according to § 377 of the German Commercial Code properly through written notification of the determined faults and return the faulty good to the Supplier.

2. All those parts or services shall, at the Supplier's option, be repaired or performed anew, whose usefulness is considerably impaired within 12 months, regardless of the operating time, calculated from the day of the passing of risk, provided that their use was compromised as the result of an incident prior to the passing of risk.

3. Should the Buyer complain about faults in the supplied good or service, then this shall only permit a right to withhold payment if the existence of the faults is determined in a legally-binding manner or is not denied by the Supplier. The withheld payment must be at a reasonable ratio to the faults which occurred.

4. The Buyer shall give the Supplier a reasonable period of time and opportunity according to reasonable discretion. Should they refuse to do this, then the Supplier shall be freed from liability for the faults.

5. In the event of justified, timely notice of defects the Supplier shall rectify the defect by means of supplementary performance by, at their discretion, eliminating the defect, delivering a defect free item, or granting a credit in the amount of the calculated reduced value. The Supplier shall have the right to refuse supplementary performance as provided for by law. If supplementary performance is refused, fails, or if it is unreasonable for the Buyer, then they shall have the right to withdraw.

6. The right of the Buyer to make claims against faults shall, in every case, be limited to a period of 6 months from the time of the complaint but not before the expiry of the warranty period. Should it be impossible to reach agreement within this period, then the Supplier and Buyer may agree to extend this period of limitation.

7. The liability for defects shall not apply to natural wear and tear, nor to damage occurring after the passing of risk as a result of incorrect or negligent handling, excessive or improper use, unsuitable equipment, faulty construction work and any external influences that are not provided for in the contract, as well as non-reproducible software errors. If, for one of these reasons, the Supplier is made liable by a third party as a joint and several debtor, then the Buyer shall imme-

diately assume irrevocable liability in the internal relationship. If the Buyer or a third party carry out improper or changes or repair work, then there shall be no warranty for this or any resulting consequences.

8. The warranty period shall last 3 months for defect rectification or deliveries of replacements. It shall last at least until the expiry of the warranty of the good to which the complaint applied.

9. Further claims by the Buyer against the Supplier and their assistants shall be excluded, in particular claims for the replacement of damages not incurred upon the supplied object. This shall not apply, except for statutory liability in accordance with the Product Liability Act, with the restrictions in Point 7, or in cases of intent, cases of gross negligence or the lack of promised properties.

10. Any and all liability for defects in software products is excluded. We explicitly provide no guarantee for functions, suitability, usability, non-infringement or other expected characteristics. Thus any and all liability towards the user or third parties for any damage or consequential damage caused by the software is also excluded. If in certain cases mandatory legal norms do not allow this comprehensive exclusion of liability for software, then it shall nevertheless remain in effect for all other cases.

9. Protection rights, copyright

1. Should a third party make justified claims against the Buyer regarding protection rights/copyright (hereinafter referred to as a protection rights) for the products delivered by the Supplier and used in the contractually-agreed manner, then the Supplier shall be liable to the Buyer as follows:

a) The Supplier shall choose, at their discretion, to obtain a right of use for the product, to change or replace the product, or, if that is not possible under reasonable conditions, to take back the product against a refund of the purchase price. Further claims against the Supplier shall be excluded.

b) The above obligation of the Supplier shall only apply if the Buyer informs the Supplier immediately and in writing of the claims made by the third party, does not recognise an infringement of the protection rights and permits the Supplier to carry out all defensive measures and comparative negotiations.

2. Claims by the Buyer are excluded if they are responsible for the infringement of protection rights, or are caused by the special requirements of the Buyer or unforeseen application or combinations with other products.

10. Impossibility, contractual adjustment

1. If it is impossible for the Supplier to provide the due delivery for a reason for which they are responsible, then the Buyer shall be authorised to demand damages of up to 10% of the value of the undelivered product.

2. Insofar as events beyond the Supplier's control considerably change the economic significance or the contents of the delivery or affect the Supplier's business, the Supplier shall have the right to withdraw from the contract or to adjust the contract in agreement with the Buyer.

11. Other claims for damages Claims for damages by the Buyer on the grounds of violation of pre-contractual or contractual obligations and on unlawful acts are excluded. This shall not apply if statutory liability applies, in particular in the case of intent, gross negligence or the lack of promised properties.

12. Place of jurisdiction The sole place of jurisdiction for any disputes arising directly or indirectly from the contractual relationship shall be Hagen i.W. The law of the Federal Republic of Germany shall apply to contractual relationships. The Hague Convention of 1.7.1964 and the UN Agreement of 11.4.1980 shall not apply.

13. Validity of the contract The contract shall remain binding even if individual points are invalid.

| Order no. | Page | Order no. | Page | Order no. | Page | Order no. | Page |
|------------|-------|--------------|------|--------------|------|--------------|------|
| 1813 | 66 | 4788 69 | 145 | 8 1974 25 05 | 67 | 8 4195 05 | 23 |
| 1813 05 | 66 | 4880 69 | 148 | 8 1974 25 06 | 67 | 8 4195 25 01 | 23 |
| 1813 09 | 66 | 6141 93 08 | 150 | 8 1974 25 68 | 67 | 8 4195 25 02 | 23 |
| 1948 02 | 121 | 6741 28 09 | 149 | 8 1977 25 02 | 76 | 8 4195 25 05 | 23 |
| 1948 08 | 122 | 6741 91 05 | 149 | 8 1977 25 03 | 76 | 8 4195 25 06 | 23 |
| 1948 13 | 123 | 6741 92 09 | 149 | 8 1977 25 04 | 76 | 8 4196 05 | 108 |
| 1948 16 | 124 | 6741 94 05 | 148 | 8 1977 25 05 | 76 | 8 4196 09 | 108 |
| 1948 17 | 123 | 6741 94 09 | 148 | 8 1977 25 06 | 76 | 8 4296 15 | 142 |
| 1948 18 | 121 | 6763 79 10 | 149 | 8 1977 25 76 | 76 | 8 4296 34 | 142 |
| 1948 19 | 122 | 7 4296 35 | 142 | 8 2602 25 01 | 48 | 8 4296 36 | 142 |
| 1948 20 | 124 | 8 1152 25 59 | 81 | 8 2602 25 03 | 48 | 8 4296 39 | 142 |
| 1948 25 | 121 | 8 1152 25 69 | 81 | 8 2602 25 05 | 48 | 8 4296 46 | 145 |
| 1948 26 | 124 | 8 1152 59 | 92 | 8 2602 25 07 | 48 | 8 4516 05 | 65 |
| 1948 27 | 123 | 8 1726 25 81 | 28 | 8 2602 25 09 | 48 | 8 4516 25 01 | 65 |
| 1948 29 | 122 | 8 1819 25 15 | 75 | 8 2603 25 01 | 48 | 8 4516 25 05 | 65 |
| 1948 30 | 121 | 8 1826 07 | 88 | 8 2603 25 03 | 48 | 8 4516 25 07 | 65 |
| 1948 93 | 125 | 8 1826 11 | 88 | 8 2603 25 05 | 48 | 8 4516 25 09 | 65 |
| 1948 94 | 125 | 8 1826 15 | 88 | 8 2603 25 07 | 48 | 8 4516 25 68 | 65 |
| 1948 96 | 125 | 8 1826 25 07 | 74 | 8 2603 25 09 | 48 | 8 4517 05 | 44 |
| 1948 98 | 125 | 8 1826 25 11 | 74 | 8 3651 05 | 54 | 8 4517 25 01 | 44 |
| 1948 99 | 125 | 8 1826 25 15 | 74 | 8 3651 09 | 54 | 8 4517 25 05 | 44 |
| 1979 00 09 | 134 | 8 1826 25 19 | 74 | 8 3651 25 01 | 54 | 8 4517 25 07 | 44 |
| 1979 00 58 | ✘ 134 | 8 1826 25 76 | 74 | 8 3651 25 05 | 54 | 8 4517 25 09 | 44 |
| 1979 01 09 | 134 | 8 1827 01 | 88 | 8 3651 25 07 | 54 | 8 4519 25 02 | 49 |
| 1979 01 58 | ✘ 134 | 8 1827 05 | 88 | 8 3651 25 09 | 54 | 8 4519 25 05 | 49 |
| 1979 10 09 | 135 | 8 1827 07 | 88 | 8 3652 25 09 | 56 | 8 4558 25 05 | 53 |
| 1979 10 58 | ✘ 135 | 8 1827 09 | 88 | 8 3655 25 01 | 57 | 8 4558 25 07 | 53 |
| 1979 11 09 | 134 | 8 1827 25 01 | 74 | 8 3655 25 05 | 57 | 8 4558 25 09 | 53 |
| 1979 11 58 | ✘ 134 | 8 1827 25 05 | 74 | 8 3655 25 07 | 57 | 8 4558 25 10 | 53 |
| 1980 | 53 | 8 1827 25 07 | 74 | 8 3655 25 09 | 57 | 8 4563 25 03 | 50 |
| 1984 | 53 | 8 1827 25 09 | 74 | 8 3656 09 | 55 | 8 4563 25 06 | 50 |
| 1985 | 53 | 8 1828 01 | 89 | 8 3656 25 05 | 55 | 8 4571 25 01 | 45 |
| 1989 | 51 | 8 1828 05 | 89 | 8 3656 25 07 | 55 | 8 4571 25 03 | 45 |
| 1990 | 52 | 8 1828 07 | 89 | 8 3656 25 09 | 55 | 8 4571 25 05 | 45 |
| 1992 | 51 | 8 1828 09 | 89 | 8 3664 25 01 | 58 | 8 4571 25 07 | 45 |
| 1993 | 51 | 8 1828 25 01 | 76 | 8 3664 25 05 | 58 | 8 4571 25 09 | 45 |
| 1994 | 51 | 8 1828 25 05 | 76 | 8 3664 25 10 | 58 | 8 4572 25 01 | 46 |
| 4175 08 | 145 | 8 1828 25 07 | 76 | 8 3664 25 18 | 58 | 8 4572 25 02 | 46 |
| 4175 09 | 145 | 8 1828 25 09 | 76 | 8 3664 25 28 | 58 | 8 4572 25 03 | 46 |
| 4176 09 | 146 | 8 1828 25 95 | 78 | 8 3664 25 45 | 58 | 8 4572 25 05 | 46 |
| 4177 08 | 147 | 8 1828 25 97 | 78 | 8 3664 25 68 | 58 | 8 4580 25 01 | 51 |
| 4180 31 | 147 | 8 1828 25 99 | 78 | 8 3671 09 | 58 | 8 4580 25 03 | 51 |
| 4180 32 | 147 | 8 1828 75 | 90 | 8 3671 25 05 | 58 | 8 4580 25 05 | 51 |
| 4180 37 | 147 | 8 1828 95 | 89 | 8 3671 25 07 | 58 | 8 4580 25 07 | 51 |
| 4180 69 | 148 | 8 1828 97 | 89 | 8 3681 05 | 110 | 8 4580 25 09 | 51 |
| 4181 02 | 143 | 8 1828 99 | 89 | 8 3681 09 | 110 | 8 4582 25 01 | 50 |
| 4181 09 | 143 | 818 36 | 65 | 8 3695 25 24 | 61 | 8 4582 25 02 | 50 |
| 4183 02 | 143 | 8 1836 01 | 65 | 8 3697 25 78 | 62 | 8 4582 25 03 | 50 |
| 4183 05 | 143 | 8 1836 02 | 65 | 8 3699 25 05 | 60 | 8 4582 25 05 | 50 |
| 4188 02 | 146 | 818 37 | 65 | 8 3752 05 | 56 | 8 4582 25 06 | 50 |
| 4188 05 | 146 | 8 1837 01 | 65 | 8 3752 25 05 | 56 | 8 4583 25 01 | 50 |
| 4188 06 | 146 | 818 53 | 78 | 8 3752 25 18 | 56 | 8 4583 25 02 | 50 |
| 4188 08 | 146 | 8 1853 01 | 79 | 8 4104 25 06 | 31 | 8 4583 25 03 | 50 |
| 4188 09 | 146 | 8 1915 01 | 64 | 8 4121 86 | 144 | 8 4583 25 05 | 50 |
| 4188 58 | 144 | 8 1915 02 | 64 | 8 4121 90 | 144 | 8 4583 25 06 | 50 |
| 4189 02 | 143 | 8 1970 25 02 | 75 | 8 4121 97 | 144 | 8 4731 25 06 | 29 |
| 4189 05 | 143 | 8 1970 25 03 | 75 | 8 4130 06 | 143 | 8 4733 25 05 | 29 |
| 4189 06 | 143 | 8 1970 25 04 | 75 | 8 4140 25 06 | 31 | 8 4733 25 06 | 29 |
| 4189 08 | 143 | 8 1970 25 05 | 75 | 8 4185 05 | 23 | 8 4778 25 01 | 22 |
| 4189 09 | 143 | 8 1970 25 06 | 75 | 8 4185 25 | 24 | 8 4778 25 02 | 22 |
| 4190 05 | 147 | 8 1970 25 76 | 75 | 8 4185 25 01 | 23 | 8 4778 25 05 | 22 |
| 4190 09 | 147 | 8 1971 25 05 | 66 | 8 4185 25 02 | 23 | 8 4778 25 06 | 22 |
| 4604 | 66 | 8 1971 25 17 | 66 | 8 4185 25 05 | 23 | 8 4779 25 01 | 22 |
| 4637 | 66 | 8 1972 25 01 | 67 | 8 4185 25 06 | 23 | 8 4779 25 02 | 22 |
| 4788 16 | 146 | 8 1972 25 05 | 67 | 8 4185 25 21 | 24 | 8 4779 25 05 | 22 |
| 4788 19 | 146 | 8 1973 25 01 | 67 | 8 4185 25 22 | 24 | 8 4779 25 06 | 22 |
| 4788 26 | 144 | 8 1973 25 05 | 67 | 8 4185 25 25 | 24 | 8 4787 25 06 | 29 |
| 4788 29 | 144 | 8 1974 25 01 | 67 | 8 4185 25 26 | 24 | 8 4788 25 06 | 29 |
| 4788 36 | 146 | 8 1974 25 03 | 67 | 8 4188 55 | 144 | 8 4800 25 02 | 24 |

| Order no. | Page | Order no. | Page | Order no. | Page | Order no. | Page |
|--------------|------|--------------|------|--------------|------|--------------|------|
| 8 4800 25 03 | 24 | 8 4821 25 08 | 33 | 8 4860 25 17 | 36 | 8 6249 05 | 39 |
| 8 4800 25 04 | 24 | 8 4821 25 12 | 34 | 8 4861 25 02 | 35 | 8 6249 25 01 | 39 |
| 8 4800 25 05 | 24 | 8 4821 25 13 | 34 | 8 4861 25 03 | 35 | 8 6249 25 02 | 39 |
| 8 4800 25 06 | 24 | 8 4821 25 14 | 34 | 8 4861 25 04 | 35 | 8 6249 25 05 | 39 |
| 8 4800 25 07 | 24 | 8 4821 25 15 | 34 | 8 4861 25 05 | 35 | 8 6254 25 01 | 37 |
| 8 4800 25 08 | 24 | 8 4821 25 17 | 34 | 8 4861 25 06 | 35 | 8 6254 25 05 | 37 |
| 8 4800 25 12 | 25 | 8 4830 25 02 | 32 | 8 4861 25 07 | 35 | 8 6254 25 07 | 37 |
| 8 4800 25 13 | 25 | 8 4830 25 03 | 32 | 8 4861 25 08 | 35 | 8 6254 25 09 | 37 |
| 8 4800 25 14 | 25 | 8 4830 25 04 | 32 | 8 4861 25 12 | 36 | 8 6254 25 10 | 37 |
| 8 4800 25 15 | 25 | 8 4830 25 05 | 32 | 8 4861 25 13 | 36 | 8 6257 25 02 | 44 |
| 8 4800 25 16 | 25 | 8 4830 25 06 | 32 | 8 4861 25 14 | 36 | 8 6257 25 05 | 44 |
| 8 4800 25 17 | 25 | 8 4830 25 07 | 32 | 8 4861 25 15 | 36 | 8 6262 05 | 40 |
| 8 4800 25 18 | 25 | 8 4830 25 08 | 32 | 8 4861 25 17 | 36 | 8 6262 25 02 | 40 |
| 8 4801 25 02 | 25 | 8 4830 25 12 | 33 | 8 4870 25 02 | 35 | 8 6262 25 05 | 40 |
| 8 4801 25 03 | 25 | 8 4830 25 13 | 33 | 8 4870 25 03 | 35 | 8 6262 25 06 | 40 |
| 8 4801 25 04 | 25 | 8 4830 25 14 | 33 | 8 4870 25 04 | 35 | 8 6263 25 01 | 37 |
| 8 4801 25 05 | 25 | 8 4830 25 15 | 33 | 8 4870 25 05 | 35 | 8 6263 25 02 | 37 |
| 8 4801 25 06 | 25 | 8 4830 25 17 | 33 | 8 4870 25 06 | 35 | 8 6263 25 13 | 37 |
| 8 4801 25 07 | 25 | 8 4831 25 02 | 33 | 8 4870 25 07 | 35 | 8 6272 05 | 38 |
| 8 4801 25 08 | 25 | 8 4831 25 03 | 33 | 8 4870 25 08 | 35 | 8 6301 25 02 | 41 |
| 8 4801 25 12 | 26 | 8 4831 25 04 | 33 | 8 4870 25 12 | 36 | 8 6301 25 03 | 41 |
| 8 4801 25 13 | 26 | 8 4831 25 05 | 33 | 8 4870 25 13 | 36 | 8 6301 25 04 | 41 |
| 8 4801 25 14 | 26 | 8 4831 25 06 | 33 | 8 4870 25 14 | 36 | 8 6301 25 05 | 41 |
| 8 4801 25 15 | 26 | 8 4831 25 07 | 33 | 8 4870 25 15 | 36 | 8 6301 25 07 | 41 |
| 8 4801 25 16 | 26 | 8 4831 25 08 | 33 | 8 4870 25 17 | 36 | 8 6301 25 12 | 42 |
| 8 4801 25 17 | 26 | 8 4831 25 12 | 34 | 8 4871 25 02 | 35 | 8 6301 25 13 | 42 |
| 8 4801 25 18 | 26 | 8 4831 25 13 | 34 | 8 4871 25 03 | 35 | 8 6301 25 14 | 42 |
| 8 4810 25 02 | 32 | 8 4831 25 14 | 34 | 8 4871 25 04 | 35 | 8 6301 25 15 | 42 |
| 8 4810 25 03 | 32 | 8 4831 25 15 | 34 | 8 4871 25 05 | 35 | 8 6301 25 16 | 42 |
| 8 4810 25 04 | 32 | 8 4831 25 17 | 34 | 8 4871 25 06 | 35 | 8 6301 25 17 | 42 |
| 8 4810 25 05 | 32 | 8 4850 25 02 | 26 | 8 4871 25 07 | 35 | 8 6301 25 18 | 42 |
| 8 4810 25 06 | 32 | 8 4850 25 03 | 26 | 8 4871 25 08 | 35 | 8 6351 25 02 | 42 |
| 8 4810 25 07 | 32 | 8 4850 25 04 | 26 | 8 4871 25 12 | 36 | 8 6351 25 03 | 42 |
| 8 4810 25 08 | 32 | 8 4850 25 05 | 26 | 8 4871 25 13 | 36 | 8 6351 25 04 | 42 |
| 8 4810 25 12 | 33 | 8 4850 25 06 | 26 | 8 4871 25 14 | 36 | 8 6351 25 05 | 42 |
| 8 4810 25 13 | 33 | 8 4850 25 07 | 26 | 8 4871 25 15 | 36 | 8 6351 25 07 | 42 |
| 8 4810 25 14 | 33 | 8 4850 25 08 | 26 | 8 4871 25 17 | 36 | 8 6351 25 12 | 43 |
| 8 4810 25 15 | 33 | 8 4850 25 12 | 27 | 8 4880 25 02 | 35 | 8 6351 25 13 | 43 |
| 8 4810 25 17 | 33 | 8 4850 25 13 | 27 | 8 4880 25 03 | 35 | 8 6351 25 14 | 43 |
| 8 4811 25 02 | 32 | 8 4850 25 14 | 27 | 8 4880 25 04 | 35 | 8 6351 25 15 | 43 |
| 8 4811 25 03 | 32 | 8 4850 25 15 | 27 | 8 4880 25 05 | 35 | 8 6351 25 16 | 43 |
| 8 4811 25 04 | 32 | 8 4850 25 16 | 27 | 8 4880 25 06 | 35 | 8 6351 25 17 | 43 |
| 8 4811 25 05 | 32 | 8 4850 25 17 | 27 | 8 4880 25 07 | 35 | 8 6351 25 18 | 43 |
| 8 4811 25 06 | 32 | 8 4850 25 18 | 27 | 8 4880 25 08 | 35 | 9 1151 01 | 91 |
| 8 4811 25 07 | 32 | 8 4851 25 02 | 27 | 8 4880 25 12 | 36 | 9 1151 05 | 91 |
| 8 4811 25 08 | 32 | 8 4851 25 03 | 27 | 8 4880 25 13 | 36 | 9 1151 07 | 91 |
| 8 4811 25 12 | 34 | 8 4851 25 04 | 27 | 8 4880 25 14 | 36 | 9 1151 09 | 91 |
| 8 4811 25 13 | 34 | 8 4851 25 05 | 27 | 8 4880 25 15 | 36 | 9 1151 25 01 | 80 |
| 8 4811 25 14 | 34 | 8 4851 25 06 | 27 | 8 4880 25 17 | 36 | 9 1151 25 05 | 80 |
| 8 4811 25 15 | 34 | 8 4851 25 07 | 27 | 8 4881 25 02 | 35 | 9 1151 25 07 | 80 |
| 8 4811 25 17 | 34 | 8 4851 25 08 | 27 | 8 4881 25 03 | 35 | 9 1151 25 09 | 80 |
| 8 4820 25 02 | 32 | 8 4851 25 12 | 28 | 8 4881 25 04 | 35 | 9 1151 25 10 | 80 |
| 8 4820 25 03 | 32 | 8 4851 25 13 | 28 | 8 4881 25 05 | 35 | 9 1151 25 11 | 80 |
| 8 4820 25 04 | 32 | 8 4851 25 14 | 28 | 8 4881 25 06 | 35 | 9 1151 25 15 | 80 |
| 8 4820 25 05 | 32 | 8 4851 25 15 | 28 | 8 4881 25 07 | 35 | 9 1151 25 17 | 80 |
| 8 4820 25 06 | 32 | 8 4851 25 16 | 28 | 8 4881 25 08 | 35 | 9 1151 25 19 | 80 |
| 8 4820 25 07 | 32 | 8 4851 25 17 | 28 | 8 4881 25 12 | 37 | 9 1151 25 20 | 80 |
| 8 4820 25 08 | 32 | 8 4851 25 18 | 28 | 8 4881 25 13 | 37 | 9 1152 21 | 92 |
| 8 4820 25 12 | 33 | 8 4860 25 02 | 34 | 8 4881 25 14 | 37 | 9 1152 25 | 92 |
| 8 4820 25 13 | 33 | 8 4860 25 03 | 34 | 8 4881 25 15 | 37 | 9 1152 25 25 | 80 |
| 8 4820 25 14 | 33 | 8 4860 25 04 | 34 | 8 4881 25 17 | 37 | 9 1152 25 29 | 80 |
| 8 4820 25 15 | 33 | 8 4860 25 05 | 34 | 8 6185 05 | 40 | 9 1152 25 55 | 81 |
| 8 4820 25 17 | 33 | 8 4860 25 06 | 34 | 8 6185 25 01 | 40 | 9 1152 25 59 | 81 |
| 8 4821 25 02 | 33 | 8 4860 25 07 | 34 | 8 6185 25 02 | 40 | 9 1152 25 65 | 81 |
| 8 4821 25 03 | 33 | 8 4860 25 08 | 34 | 8 6185 25 05 | 40 | 9 1152 25 69 | 81 |
| 8 4821 25 04 | 33 | 8 4860 25 12 | 36 | 8 6195 05 | 41 | 9 1152 27 | 92 |
| 8 4821 25 05 | 33 | 8 4860 25 13 | 36 | 8 6195 25 02 | 41 | 9 1152 29 | 92 |
| 8 4821 25 06 | 33 | 8 4860 25 14 | 36 | 8 6195 25 05 | 41 | 9 1152 55 | 92 |
| 8 4821 25 07 | 33 | 8 4860 25 15 | 36 | 8 6195 25 06 | 41 | 9 1152 59 | 92 |

| Order no. | Page | Order no. | Page | Order no. | Page | Order no. | Page |
|--------------|------|--------------|------|--------------|------|--------------|------|
| 9 1152 65 | 92 | 9 1827 10 | 88 | 918 44 | 65 | 9 1978 25 28 | 100 |
| 9 1152 69 | 92 | 9 1827 18 | 88 | 9 1845 02 | 65 | 9 1978 25 45 | 100 |
| 9 1726 25 81 | 28 | 9 1827 25 01 | 74 | 9 1845 03 | 66 | 9 1987 25 02 | 75 |
| 9 1803 25 05 | 75 | 9 1827 25 05 | 74 | 918 53 | 78 | 9 1987 25 03 | 75 |
| 9 1803 25 07 | 75 | 9 1827 25 07 | 74 | 9 1853 01 | 79 | 9 1987 25 04 | 75 |
| 9 1803 25 09 | 75 | 9 1827 25 09 | 74 | 918 83 | 63 | 9 1987 25 05 | 75 |
| 9 1803 25 68 | 75 | 9 1827 25 10 | 74 | 9 1883 20 | 63 | 9 1987 25 06 | 75 |
| 9 1803 25 76 | 75 | 9 1827 25 18 | 74 | 918 87 | 63 | 9 1987 25 76 | 75 |
| 9 1803 25 90 | 75 | 9 1827 25 24 | 74 | 9 1887 01 | 63 | 9 1988 25 02 | 76 |
| 9 1803 25 94 | 75 | 9 1827 25 28 | 74 | 919 11 | 64 | 9 1988 25 03 | 76 |
| 9 1819 07 | 88 | 9 1827 25 38 | 74 | 9 1911 01 | 64 | 9 1988 25 04 | 76 |
| 9 1819 11 | 88 | 9 1827 25 58 | 74 | 9 1911 02 | 64 | 9 1988 25 05 | 76 |
| 9 1819 15 | 88 | 9 1827 25 68 | 77 | 919 12 | 64 | 9 1988 25 06 | 76 |
| 9 1819 19 | 88 | 9 1827 25 70 | 74 | 9 1912 01 | 64 | 9 1988 25 76 | 76 |
| 9 1819 25 07 | 75 | 9 1827 25 74 | 74 | 9 1915 01 | 64 | 9 1988 25 82 | ★ 77 |
| 9 1819 25 10 | 75 | 9 1827 25 76 | 74 | 9 1915 02 | 64 | 9 1988 25 83 | ★ 77 |
| 9 1819 25 11 | 75 | 9 1827 25 91 | 77 | 919 33 | 64 | 9 1988 25 84 | ★ 77 |
| 9 1819 25 15 | 75 | 9 1827 25 95 | 77 | 919 36 | 111 | 9 1988 25 86 | ★ 77 |
| 9 1819 25 18 | 75 | 9 1827 25 97 | 77 | 9 1941 05 | 110 | 9 1988 25 92 | ★ 77 |
| 9 1819 25 19 | 75 | 9 1827 25 99 | 77 | 9 1941 09 | 110 | 9 1988 25 93 | ★ 77 |
| 9 1819 25 24 | 75 | 9 1827 28 | 88 | 9 1941 18 | 110 | 9 1988 25 94 | ★ 77 |
| 9 1819 25 68 | 75 | 9 1827 38 | 88 | 9 1941 28 | 110 | 9 1988 25 96 | ★ 77 |
| 9 1819 25 70 | 75 | 9 1827 45 | 88 | 9 1942 05 | 111 | 9 2602 25 01 | 48 |
| 9 1819 25 74 | 75 | 9 1827 86 | 88 | 9 1942 09 | 111 | 9 2602 25 03 | 48 |
| 9 1819 25 76 | 75 | 9 1827 87 | 88 | 9 1942 18 | 111 | 9 2602 25 05 | 48 |
| 9 1819 45 | 88 | 9 1827 88 | 88 | 9 1942 28 | 111 | 9 2602 25 07 | 48 |
| 918 20 | 63 | 9 1827 91 | 89 | 9 1943 05 | 111 | 9 2602 25 09 | 48 |
| 9 1820 01 | 63 | 9 1827 95 | 89 | 9 1943 09 | 111 | 9 2603 25 01 | 48 |
| 9 1820 02 | 63 | 9 1827 97 | 89 | 9 1943 18 | 111 | 9 2603 25 03 | 48 |
| 9 1820 03 | 63 | 9 1827 99 | 89 | 9 1944 05 | 111 | 9 2603 25 05 | 48 |
| 9 1820 20 | 63 | 9 1828 01 | 89 | 9 1944 09 | 111 | 9 2603 25 07 | 48 |
| 9 1825 06 | 92 | 9 1828 05 | 89 | 9 1969 05 | 111 | 9 2603 25 09 | 48 |
| 9 1825 11 | 92 | 9 1828 07 | 89 | 9 1969 06 | 111 | 9 2610 25 05 | 47 |
| 9 1825 12 | 92 | 9 1828 09 | 89 | 9 1969 07 | 111 | 9 2610 25 09 | 47 |
| 9 1825 15 | 92 | 9 1828 18 | 89 | 9 1969 09 | 111 | 9 2620 25 05 | ★ 47 |
| 9 1825 25 06 | 81 | 9 1828 25 01 | 76 | 9 1969 18 | 111 | 9 2620 25 09 | ★ 47 |
| 9 1825 25 10 | 81 | 9 1828 25 05 | 76 | 9 1971 25 01 | 66 | 9 2891 25 01 | 62 |
| 9 1825 25 11 | 81 | 9 1828 25 07 | 76 | 9 1971 25 05 | 66 | 9 2891 25 05 | 62 |
| 9 1825 25 12 | 81 | 9 1828 25 09 | 76 | 9 1971 25 07 | 66 | 9 2891 25 06 | 62 |
| 9 1825 25 15 | 81 | 9 1828 25 10 | 76 | 9 1971 25 09 | 66 | 9 2891 25 09 | 62 |
| 9 1825 25 24 | 81 | 9 1828 25 18 | 76 | 9 1971 25 10 | 66 | 9 3651 05 | 54 |
| 9 1825 25 68 | 81 | 9 1828 25 24 | 76 | 9 1971 25 17 | 66 | 9 3651 07 | 54 |
| 9 1826 07 | 88 | 9 1828 25 28 | 76 | 9 1971 25 24 | 66 | 9 3651 09 | 54 |
| 9 1826 11 | 88 | 9 1828 25 38 | 76 | 9 1971 25 68 | 66 | 9 3651 18 | 54 |
| 9 1826 14 | 88 | 9 1828 25 45 | 100 | 9 1972 25 01 | 67 | 9 3651 25 01 | 54 |
| 9 1826 15 | 88 | 9 1828 25 68 | 78 | 9 1972 25 05 | 67 | 9 3651 25 05 | 54 |
| 9 1826 18 | 88 | 9 1828 25 70 | 76 | 9 1972 25 68 | 67 | 9 3651 25 07 | 54 |
| 9 1826 19 | 88 | 9 1828 25 74 | 76 | 9 1973 25 01 | 67 | 9 3651 25 09 | 54 |
| 9 1826 25 07 | 74 | 9 1828 25 76 | 76 | 9 1973 25 05 | 67 | 9 3651 25 10 | 54 |
| 9 1826 25 10 | 74 | 9 1828 25 78 | 76 | 9 1973 25 68 | 67 | 9 3651 25 18 | 54 |
| 9 1826 25 11 | 74 | 9 1828 25 86 | 78 | 9 1974 25 01 | 67 | 9 3651 25 24 | 54 |
| 9 1826 25 15 | 74 | 9 1828 25 90 | 78 | 9 1974 25 05 | 67 | 9 3651 25 28 | 54 |
| 9 1826 25 18 | 74 | 9 1828 25 91 | 78 | 9 1974 25 68 | 67 | 9 3651 25 45 | 54 |
| 9 1826 25 19 | 74 | 9 1828 25 94 | 78 | 9 1975 25 09 | 100 | 9 3651 25 68 | 54 |
| 9 1826 25 24 | 74 | 9 1828 25 95 | 78 | 9 1975 25 10 | 100 | 9 3651 28 | 54 |
| 9 1826 25 28 | 74 | 9 1828 25 97 | 78 | 9 1975 25 18 | 100 | 9 3651 38 | 54 |
| 9 1826 25 38 | 74 | 9 1828 25 99 | 78 | 9 1975 25 24 | 100 | 9 3651 45 | 54 |
| 9 1826 25 58 | 74 | 9 1828 28 | 89 | 9 1975 25 28 | 100 | 9 3652 05 | 56 |
| 9 1826 25 70 | 74 | 9 1828 45 | 89 | 9 1975 25 45 | 100 | 9 3652 07 | 56 |
| 9 1826 25 74 | 74 | 9 1828 75 | 90 | 9 1976 25 09 | 100 | 9 3652 09 | 56 |
| 9 1826 25 76 | 74 | 9 1828 77 | 90 | 9 1976 25 10 | 100 | 9 3652 25 01 | 56 |
| 9 1826 28 | 88 | 9 1828 79 | 90 | 9 1976 25 18 | 100 | 9 3652 25 05 | 56 |
| 9 1826 38 | 88 | 9 1828 86 | 89 | 9 1976 25 24 | 100 | 9 3652 25 07 | 56 |
| 9 1826 45 | 88 | 9 1828 90 | 89 | 9 1976 25 28 | 100 | 9 3652 25 09 | 56 |
| 9 1827 01 | 88 | 9 1828 91 | 89 | 9 1976 25 45 | 100 | 9 3652 25 10 | 56 |
| 9 1827 04 | 88 | 9 1828 94 | 89 | 9 1978 25 09 | 100 | 9 3652 25 18 | 56 |
| 9 1827 05 | 88 | 9 1828 95 | 89 | 9 1978 25 10 | 100 | 9 3652 25 24 | 56 |
| 9 1827 07 | 88 | 9 1828 97 | 89 | 9 1978 25 18 | 100 | 9 3652 25 28 | 56 |
| 9 1827 09 | 88 | 9 1828 99 | 89 | 9 1978 25 24 | 100 | 9 3652 25 45 | 56 |

| Order no. | Page | Order no. | Page | Order no. | Page | Order no. | Page |
|--------------|------|--------------|------|--------------|------|--------------|------|
| 9 3652 25 68 | 56 | 9 3671 25 18 | 58 | 9 3762 25 39 | 57 | 9 4560 25 06 | 49 |
| 9 3652 28 | 56 | 9 3671 25 24 | 58 | 9 3762 25 68 | 57 | 9 4561 25 02 | 49 |
| 9 3652 45 | 56 | 9 3671 25 28 | 58 | 9 3772 25 01 | 59 | 9 4562 25 05 | 49 |
| 9 3653 05 | 60 | 9 3671 25 45 | 58 | 9 3772 25 05 | 59 | 9 4570 25 05 | 45 |
| 9 3653 07 | 60 | 9 3671 25 68 | 58 | 9 3772 25 07 | 59 | 9 4570 25 15 | 45 |
| 9 3653 09 | 60 | 9 3671 28 | 58 | 9 3772 25 09 | 59 | 9 4571 25 01 | 45 |
| 9 3653 25 01 | 60 | 9 3675 05 | 59 | 9 4185 05 | 23 | 9 4571 25 05 | 45 |
| 9 3653 25 05 | 60 | 9 3675 07 | 59 | 9 4185 25 | 24 | 9 4571 25 07 | 45 |
| 9 3653 25 07 | 60 | 9 3675 09 | 59 | 9 4185 25 01 | 23 | 9 4571 25 09 | 45 |
| 9 3653 25 08 | 60 | 9 3675 25 01 | 59 | 9 4185 25 02 | 23 | 9 4572 25 01 | 46 |
| 9 3653 25 09 | 60 | 9 3675 25 05 | 59 | 9 4185 25 05 | 23 | 9 4572 25 02 | 46 |
| 9 3653 25 10 | 60 | 9 3675 25 07 | 59 | 9 4185 25 06 | 23 | 9 4572 25 03 | 46 |
| 9 3653 25 18 | 60 | 9 3675 25 08 | 59 | 9 4195 05 | 23 | 9 4572 25 05 | × 46 |
| 9 3653 25 24 | 60 | 9 3675 25 09 | 59 | 9 4195 25 01 | 23 | 9 4573 25 02 | 46 |
| 9 3653 25 45 | 60 | 9 3675 25 10 | 59 | 9 4195 25 02 | 23 | 9 4573 25 05 | × 46 |
| 9 3653 25 68 | 60 | 9 3675 25 18 | 59 | 9 4195 25 05 | 23 | 9 4574 25 02 | 46 |
| 9 3655 05 | 57 | 9 3675 25 24 | 59 | 9 4195 25 06 | 23 | 9 4574 25 05 | 46 |
| 9 3655 07 | 57 | 9 3675 25 45 | 59 | 9 4196 05 | 108 | 9 4581 25 01 | 49 |
| 9 3655 09 | 57 | 9 3675 25 68 | 59 | 9 4196 09 | 108 | 9 4581 25 02 | 49 |
| 9 3655 18 | 57 | 9 3681 05 | 110 | 9 4197 05 | 108 | 9 4581 25 03 | 49 |
| 9 3655 25 01 | 57 | 9 3681 09 | 110 | 9 4197 09 | 108 | 9 4581 25 05 | 49 |
| 9 3655 25 05 | 57 | 9 3681 18 | 110 | 9 4197 28 | 108 | 9 4581 25 06 | 49 |
| 9 3655 25 07 | 57 | 9 3681 68 | 110 | 9 4198 05 | 108 | 9 4582 25 01 | 50 |
| 9 3655 25 09 | 57 | 9 3682 05 | 110 | 9 4198 09 | 108 | 9 4582 25 02 | 50 |
| 9 3655 25 10 | 57 | 9 3682 09 | 110 | 9 4199 05 | 109 | 9 4582 25 03 | 50 |
| 9 3655 25 18 | 57 | 9 3686 05 | 110 | 9 4199 09 | 109 | 9 4582 25 05 | 50 |
| 9 3655 25 24 | 57 | 9 3686 09 | 110 | 9 4199 18 | 109 | 9 4582 25 06 | 50 |
| 9 3655 25 28 | 57 | 9 3686 18 | 110 | 9 4199 28 | 109 | 9 4583 25 01 | 50 |
| 9 3655 25 38 | 57 | 9 3686 28 | 110 | 9 4296 03 | 142 | 9 4583 25 02 | 50 |
| 9 3655 25 45 | 57 | 9 3695 25 01 | 61 | 9 4296 05 | 142 | 9 4583 25 03 | 50 |
| 9 3655 25 68 | 57 | 9 3695 25 05 | 61 | 9 4296 06 | 142 | 9 4583 25 05 | 50 |
| 9 3655 28 | 57 | 9 3695 25 07 | 61 | 9 4296 19 | 142 | 9 4583 25 06 | 50 |
| 9 3655 38 | 57 | 9 3695 25 09 | 61 | 9 4509 05 | 62 | 9 4713 25 02 | 30 |
| 9 3656 05 | 55 | 9 3695 25 10 | 61 | 9 4509 25 02 | 62 | 9 4713 25 03 | 30 |
| 9 3656 07 | 55 | 9 3695 25 18 | 61 | 9 4509 25 05 | 62 | 9 4713 25 04 | 30 |
| 9 3656 09 | 55 | 9 3695 25 28 | 61 | 9 4511 15 | 48 | 9 4713 25 05 | 30 |
| 9 3656 18 | 55 | 9 3695 25 68 | 61 | 9 4511 25 11 | 48 | 9 4713 25 06 | 30 |
| 9 3656 25 01 | 55 | 9 3696 25 05 | 61 | 9 4511 25 12 | 48 | 9 4713 25 76 | 30 |
| 9 3656 25 05 | 55 | 9 3696 25 18 | 61 | 9 4511 25 15 | 48 | 9 4778 25 01 | 22 |
| 9 3656 25 07 | 55 | 9 3696 25 28 | 61 | 9 4516 05 | 65 | 9 4778 25 02 | 22 |
| 9 3656 25 09 | 55 | 9 3696 25 68 | 61 | 9 4516 25 01 | 65 | 9 4778 25 03 | 22 |
| 9 3656 25 10 | 55 | 9 3697 25 05 | 61 | 9 4516 25 05 | 65 | 9 4778 25 05 | 22 |
| 9 3656 25 18 | 55 | 9 3697 25 10 | 61 | 9 4516 25 07 | 65 | 9 4778 25 06 | 22 |
| 9 3656 25 24 | 55 | 9 3697 25 18 | 60 | 9 4516 25 09 | 65 | 9 4779 25 01 | 22 |
| 9 3656 25 28 | 55 | 9 3697 25 38 | 61 | 9 4516 25 10 | 65 | 9 4779 25 02 | 22 |
| 9 3656 25 38 | 55 | 9 3699 25 01 | 60 | 9 4516 25 24 | 65 | 9 4779 25 03 | 22 |
| 9 3656 25 45 | 55 | 9 3699 25 05 | 60 | 9 4516 25 45 | 65 | 9 4779 25 05 | 22 |
| 9 3656 25 68 | 55 | 9 3699 25 07 | 60 | 9 4517 05 | 44 | 9 4779 25 06 | 22 |
| 9 3656 28 | 55 | 9 3699 25 09 | 60 | 9 4517 25 01 | 44 | 9 6185 05 | 40 |
| 9 3656 45 | 55 | 9 3699 25 10 | 60 | 9 4517 25 05 | 44 | 9 6185 25 01 | 40 |
| 9 3657 09 | 55 | 9 3699 25 28 | 60 | 9 4517 25 07 | 44 | 9 6185 25 02 | 40 |
| 9 3657 25 01 | 55 | 9 3699 25 68 | 60 | 9 4517 25 09 | 44 | 9 6185 25 05 | 40 |
| 9 3657 25 05 | 55 | 9 3699 25 75 | 61 | 9 4519 05 | 49 | 9 6185 25 06 | 40 |
| 9 3657 25 07 | 55 | 9 3699 25 78 | 61 | 9 4519 25 01 | 49 | 9 6194 05 | 43 |
| 9 3657 25 09 | 55 | 9 3752 05 | 56 | 9 4519 25 02 | 49 | 9 6194 25 02 | 43 |
| 9 3657 25 10 | 55 | 9 3752 07 | 56 | 9 4519 25 05 | 49 | 9 6194 25 05 | 43 |
| 9 3657 25 24 | 55 | 9 3752 09 | 56 | 9 4519 25 06 | 49 | 9 6194 25 06 | 43 |
| 9 3657 25 28 | 55 | 9 3752 25 01 | 56 | 9 4557 05 | 52 | 9 6195 05 | 41 |
| 9 3657 25 68 | 55 | 9 3752 25 05 | 56 | 9 4557 25 05 | 52 | 9 6195 25 01 | 41 |
| 9 3665 25 18 | 59 | 9 3752 25 07 | 56 | 9 4557 25 07 | 52 | 9 6195 25 02 | 41 |
| 9 3671 05 | 58 | 9 3752 25 09 | 56 | 9 4557 25 09 | 52 | 9 6195 25 05 | 41 |
| 9 3671 07 | 58 | 9 3752 25 10 | 56 | 9 4559 05 | 52 | 9 6195 25 06 | 41 |
| 9 3671 09 | 58 | 9 3752 25 24 | 56 | 9 4559 25 05 | 52 | 9 6198 05 | 109 |
| 9 3671 18 | 58 | 9 3752 25 68 | 56 | 9 4559 25 07 | 52 | 9 6198 09 | 109 |
| 9 3671 25 01 | 58 | 9 3762 25 10 | 57 | 9 4559 25 09 | 52 | 9 6199 05 | 109 |
| 9 3671 25 05 | 58 | 9 3762 25 18 | 57 | 9 4560 05 | 49 | 9 6199 18 | 109 |
| 9 3671 25 07 | 58 | 9 3762 25 24 | 57 | 9 4560 25 01 | 49 | 9 6199 28 | 109 |
| 9 3671 25 09 | 58 | 9 3762 25 31 | 57 | 9 4560 25 02 | 49 | 9 6249 05 | 39 |
| 9 3671 25 10 | 58 | 9 3762 25 35 | 57 | 9 4560 25 05 | 49 | 9 6249 25 01 | 39 |

Product summary

| Order no. | Page | Order no. | Page | Order no. | Page | Order no. | Page |
|-------------------|------|-----------|------|-----------|------|-----------|------|
| 9 6249 25 02 | 39 | WS121E | 159 | | | | |
| 9 6249 25 05 | 39 | WS121N | 159 | | | | |
| 9 6249 25 06 | 39 | WS121V | 159 | | | | |
| 9 6251 25 02 | 39 | WS122 | 160 | | | | |
| 9 6251 25 03 | 39 | WS122E | 160 | | | | |
| 9 6251 25 05 | 39 | WS122N | 160 | | | | |
| 9 6254 25 01 | 37 | WS122V | 160 | | | | |
| 9 6254 25 07 | 37 | WS123 | 160 | | | | |
| 9 6254 25 09 | 37 | WS123E | 160 | | | | |
| 9 6254 25 10 | 37 | WS123N | 160 | | | | |
| 9 6256 05 | 38 | WS123R | 160 | | | | |
| 9 6256 25 01 | 38 | WS123V | 160 | | | | |
| 9 6256 25 02 | 38 | WS160 | 158 | | | | |
| 9 6256 25 05 | 38 | WS160E | 158 | | | | |
| 9 6256 25 06 | 38 | WS160N | 158 | | | | |
| 9 6257 25 01 | 44 | WS160V | 158 | | | | |
| 9 6257 25 02 | 44 | WS162 | 158 | | | | |
| 9 6257 25 03 | 44 | WS172 | 158 | | | | |
| 9 6257 25 05 | 44 | WS172E | 158 | | | | |
| 9 6257 25 06 | 44 | WS172N | 158 | | | | |
| 9 6258 05 | 38 | WS172V | 158 | | | | |
| 9 6258 25 01 | 38 | WS173 | 159 | | | | |
| 9 6258 25 02 | 38 | WS173E | 159 | | | | |
| 9 6258 25 05 | 38 | WS173N | 159 | | | | |
| 9 6258 25 06 | 38 | WS173V | 159 | | | | |
| 9 6259 25 01 | 39 | WS185 | 158 | | | | |
| 9 6259 25 02 | 39 | WS186 | 159 | | | | |
| 9 6259 25 03 | 39 | WS225 | 165 | | | | |
| 9 6259 25 05 | 39 | WS226 | 166 | | | | |
| 9 6259 25 06 | 39 | WS260 | 163 | | | | |
| 9 6262 05 | 40 | WS261 | 165 | | | | |
| 9 6262 25 01 | 40 | WS262 | 164 | | | | |
| 9 6262 25 02 | 40 | WS263 | 164 | | | | |
| 9 6262 25 05 | 40 | WS264 | 164 | | | | |
| 9 6262 25 06 | 40 | WS265 | 165 | | | | |
| 9 6263 25 01 | 37 | WS266 | 163 | | | | |
| 9 6263 25 02 | 37 | WS267 | 163 | | | | |
| 9 6263 25 13 | 37 | WS274 | 164 | | | | |
| 9 6272 05 | 38 | WS276 | 164 | | | | |
| 9 6272 25 02 | 38 | WS278 | 163 | | | | |
| 9 6272 25 05 | 38 | WS279 | 165 | | | | |
| 9 6272 25 06 | 38 | WS688 | 161 | | | | |
| | | WS689 | 161 | | | | |
| | | WS697 | 161 | | | | |
| OLFR1501509010BE1 | 189 | | | | | | |
| OLFR1501509010BE2 | 189 | | | | | | |
| OLFR1501509011BE1 | 189 | | | | | | |
| OLFR2002009010BE1 | 189 | | | | | | |
| OLFR2002009010BE2 | 189 | | | | | | |
| OLFR2002009011BE1 | 189 | | | | | | |
| OLFR2003509010BE1 | 189 | | | | | | |
| OLFR2003509010BE2 | 189 | | | | | | |
| OLFR2003509011BE1 | 189 | | | | | | |
| OLFR701209010BE1 | 189 | | | | | | |
| OLFR701209010BE2 | 189 | | | | | | |
| OLFR701209011BE1 | 189 | | | | | | |
| WS001 | 161 | | | | | | |
| WS002 | 162 | | | | | | |
| WS006 | 162 | | | | | | |
| WS032 | 162 | | | | | | |
| WS100 | 159 | | | | | | |
| WS100E | 159 | | | | | | |
| WS100N | 159 | | | | | | |
| WS100V | 159 | | | | | | |
| WS105 | 161 | | | | | | |
| WS106 | 160 | | | | | | |
| WS110 | 162 | | | | | | |
| WS120 | 161 | | | | | | |
| WS121 | 159 | | | | | | |



Berker GmbH & Co. KG
Zum Gunterstal
66440 Blieskastel

Revierstraße 21
44379 Dortmund
Telefon: +49 (0) 231 /935050 - 3211
Fax: +49 (0) 231 /935050 - 3116

vi.info@berker.de
berker-business-solutions.de